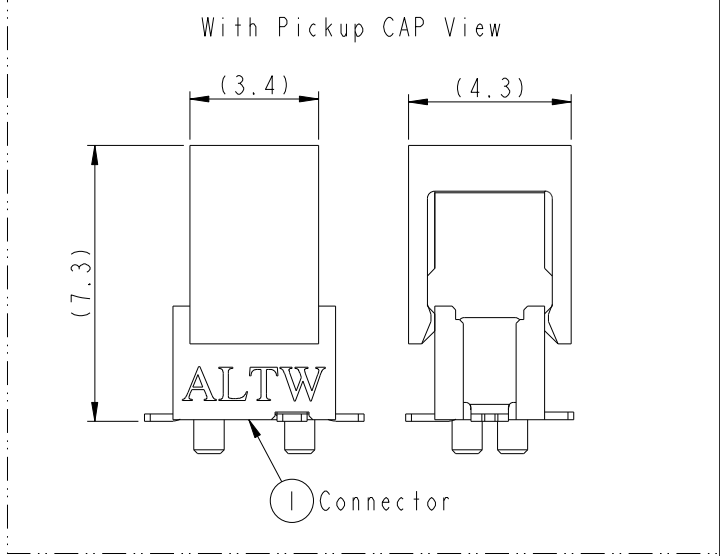
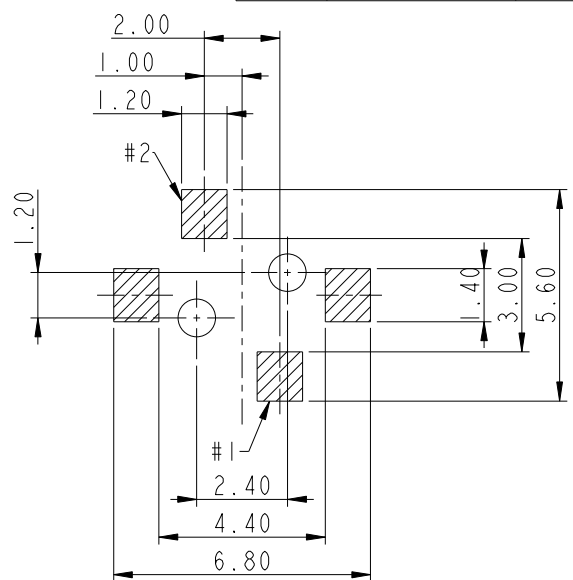
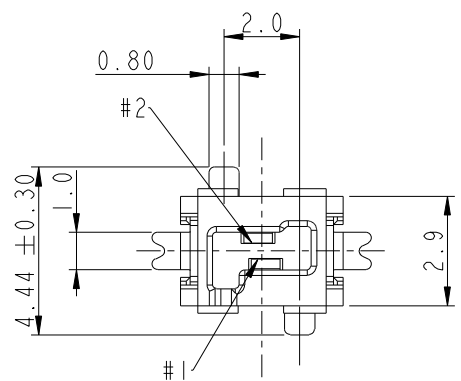
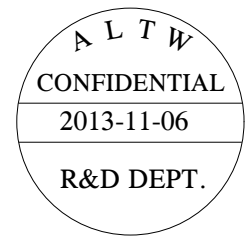
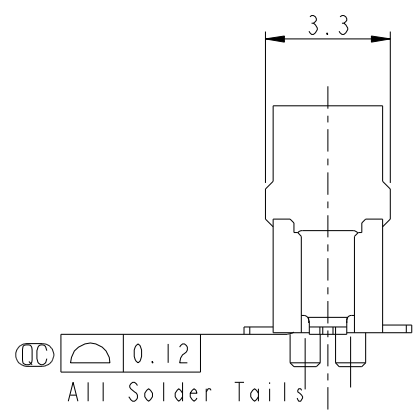
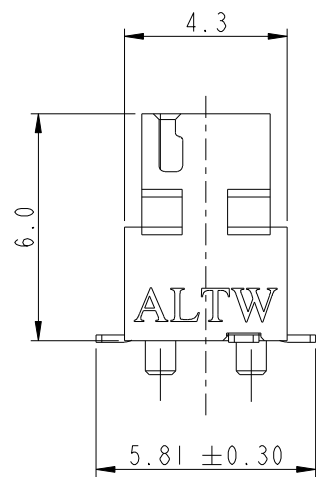


THIS DOCUMENT IS SUBJECT TO CHANGE WITHOUT NOTICE. IT IS CONFIDENTIAL AND A PROPERTY OF Amphenol LTW. DISCLOSURE TO THIRD PARTY HAS TO BE AUTHORIZED BY Amphenol LTW.

| | | | | |
|------|-----------------|------------|--------|-----------------|
| REV. | ECN NO. | DATE | SIGN | DESCRIPTION |
| A | Initial Release | 2013-11-06 | Fisher | Initial Release |

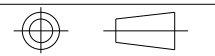


RECOMMENDED P.C.B. LAYOUT
GENERAL TOLERANCE IS ±0.05



- Notes:
- * QC Important Dimension To Check.
 - * Housing: High temperature thermoplastic. UL94V-0, color is Natural white.
 - * Pickup Cap: High temperature thermoplastic. UL94V-0, color is Black.
 - * Terminal: Copper Alloy, Gold Plated on contact area. Tin plated on solder tails.
 - * Solder Peg: Copper Alloy, Tin plated over Nickel.

UNIT:mm



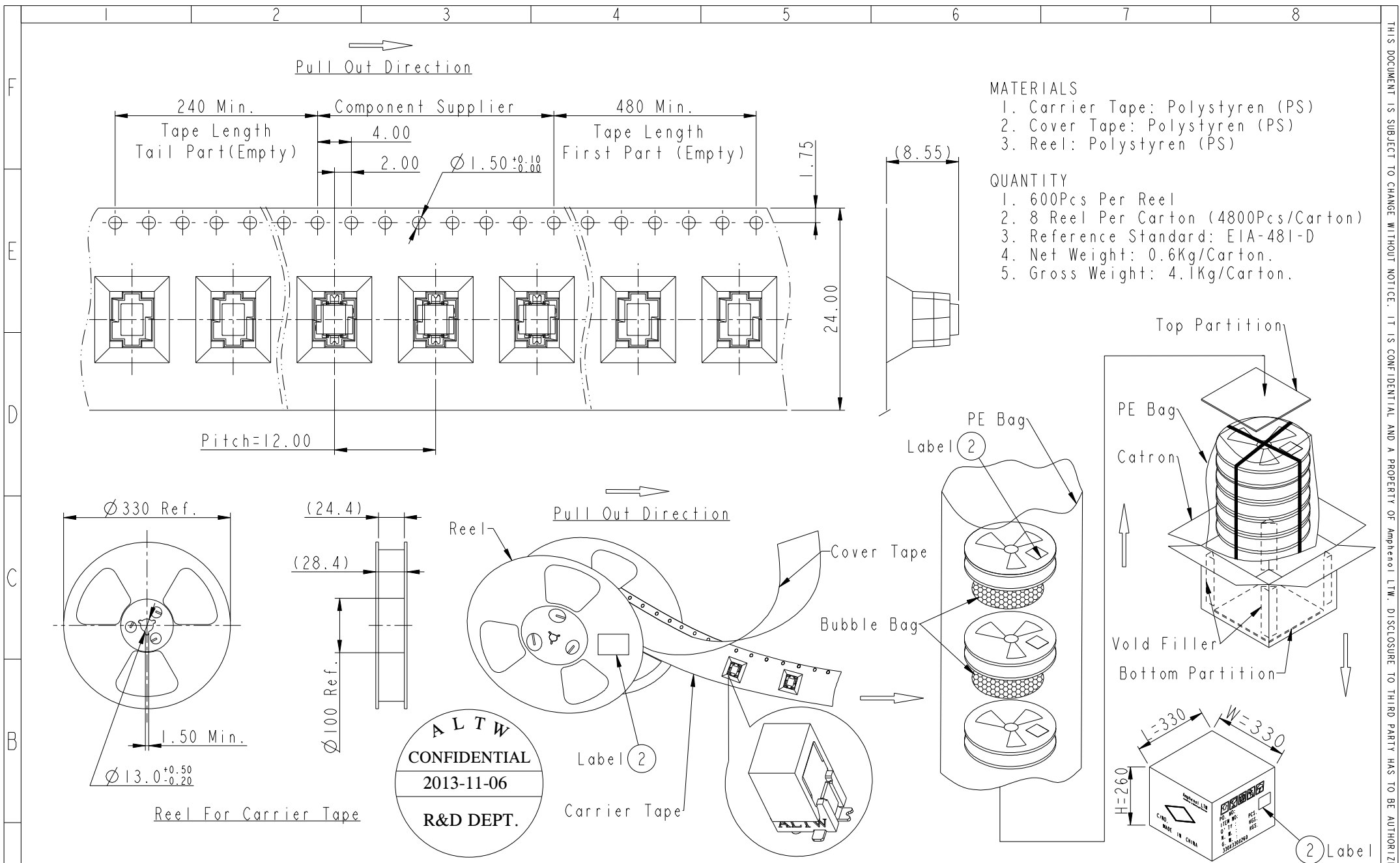
TITLE
SSL-1.1 DC 2P JACK CONN,
WITH POST,S/T,SMT TYPE

Amphenol LTW
安費諾亮泰企業股份有限公司

| | | | | | |
|----------|--------------------|-------------|-------------|------|------------|
| ITEM NO | SSLI1-J2A00-000001 | DRAWN BY | Fisher_Wang | DATE | 2013-11-06 |
| DWG NO | SSLI1-J2A00-000001 | CHECKED BY | Ivan_Lin | DATE | 2013-11-06 |
| CUSTOMER | ALTW | APPROVED BY | Kevin_Hu | DATE | 2013-11-06 |

| | |
|-----------|------------|
| TOLERANCE | .X ±0.25 |
| | .XX ±0.1 |
| | .XXX ±0.05 |
| ANGLES | ±1° |

| | | | | | | | |
|-------|-----|---------|------|-------------------------------|---|----|---|
| SCALE | 5:1 | SIZE | A4 | SHEET | 1 | OF | 2 |
| REV. | A | WC-REV. | A.13 | QC : Inspection item | | | |



- MATERIALS**
1. Carrier Tape: Polystyren (PS)
 2. Cover Tape: Polystyren (PS)
 3. Reel: Polystyren (PS)
- QUANTITY**
1. 600Pcs Per Reel
 2. 8 Reel Per Carton (4800Pcs/Carton)
 3. Reference Standard: EIA-481-D
 4. Net Weight: 0.6Kg/Carton.
 5. Gross Weight: 4.1Kg/Carton.

| | | | | | | | |
|------------|--|--|---------|--------------------------------------|--------------------|-------------|------------|
| UNIT:mm | | TITLE | | Amphenol LTW 安費諾亮泰企業股份有限公司 | ITEM NO | DRAWN BY | DATE |
| | | SSL-1.1 DC 2P JACK CONN, WITH POST,S/T,SMT TYPE | | | SSL11-J2A00-000001 | Fisher_Wang | 2013-11-06 |
| TOLERANCE | | SCALE | SIZE | SHEET | DWG NO | CHECKED BY | DATE |
| .X ±0.25 | | 5:1 | A4 | 2 OF 2 | SSL11-J2A00-000001 | Ivan_Lin | 2013-11-06 |
| .XX ±0.1 | | REV. | WC-REV. | QC: Inspection item | CUSTOMER | APPROVED BY | DATE |
| .XXX ±0.05 | | A | A.7 | | ALTW | Kevin_Hu | 2013-11-06 |
| ANGLES ±1° | | | | | | | |