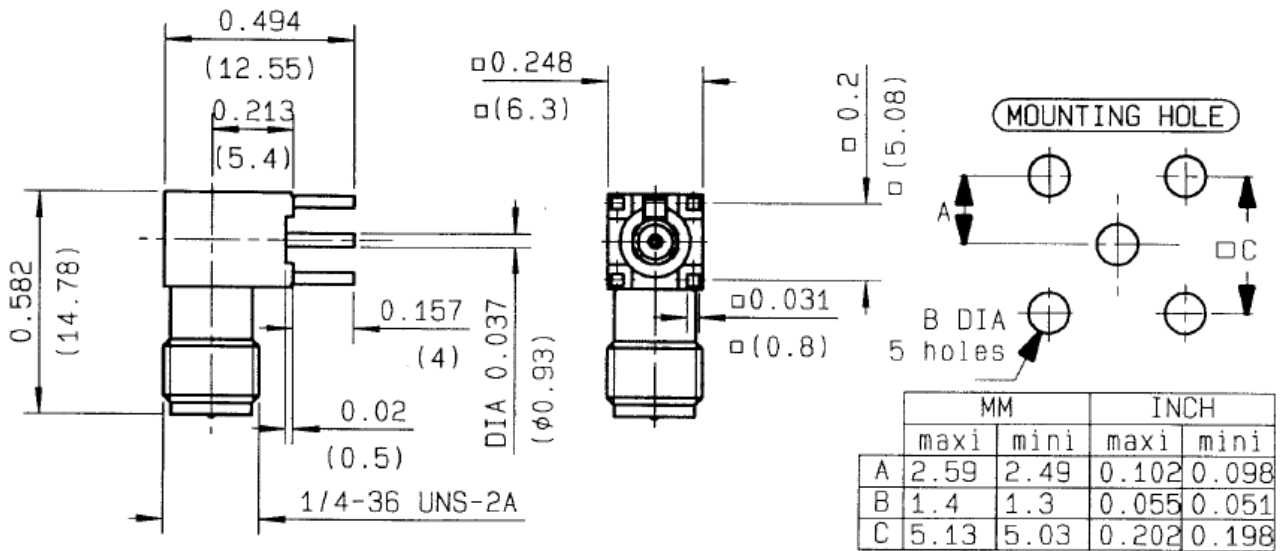


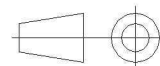
**RP SMA R/A SOLDER TYPE PCB RECEPTACLE**

**R300.124.403**

Series :  
**REV.POLARITY**



All dimensions are in mm.



COMPONENTS	MATERIALS	PLATING (µm)
<b>BODY</b>	<b>BRASS</b>	<b>GOLD OVER NICKEL</b>
<b>CENTER CONTACT</b>	<b>BRASS</b>	<b>GOLD OVER NICKEL</b>
<b>OUTER CONTACT</b>	-	-
<b>INSULATOR</b>	<b>PTFE</b>	-
<b>GASKET</b>	-	-
<b>OTHERS PARTS</b>	-	-
-	-	-
-	-	-

**Issue : 1116 B**

In the effort to improve our products, we reserve the right to make changes judged to be necessary.



**RP SMA R/A SOLDER TYPE PCB RECEPTACLE**

**R300.124.403**

Series :  
**REV.POLARITY**

**PACKAGING**

**SPECIFICATION**

Standard	Unit	Other
<b>100</b>	<b>'W' option</b>	<b>Contact us</b>

**ELECTRICAL CHARACTERISTICS**

**ENVIRONMENTAL**

Impedance	<b>50</b>	$\Omega$
Frequency	<b>0-12.4</b>	GHz
VSWR	<b>TBD + 0,0000</b>	x F(GHz) Maxi
Insertion loss	<b>TBD</b>	$\sqrt{F(GHz)}$ dB Maxi
RF leakage	- (	- F(GHz)) dB Maxi
Voltage rating	<b>335</b>	Veff Maxi
Dielectric withstanding voltage	<b>1000</b>	Veff mini
Insulation resistance	<b>5000</b>	M $\Omega$ mini

Operating temperature	<b>-65/+165</b>	$^{\circ}$ C
Hermetic seal	<b>NA</b>	Atm.cm3/s
Panel leakage	<b>NA</b>	

**OTHER CHARACTERISTICS**

Assembly instruction

Others :  
-

**MECHANICAL CHARACTERISTICS**

Center contact retention		
Axial force – Mating end	<b>15</b>	N mini
Axial force – Opposite end	<b>15</b>	N mini
Torque	<b>NA</b>	N.cm mini
Recommended torque		
Mating	<b>NA</b>	N.cm
Panel nut	<b>NA</b>	N.cm
Mating life	<b>500</b>	Cycles mini
Weight	<b>0,0000</b>	g

Issue : 1116 B

In the effort to improve our products, we reserve the right to make changes judged to be necessary.

