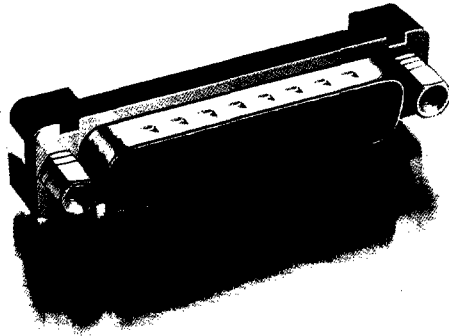
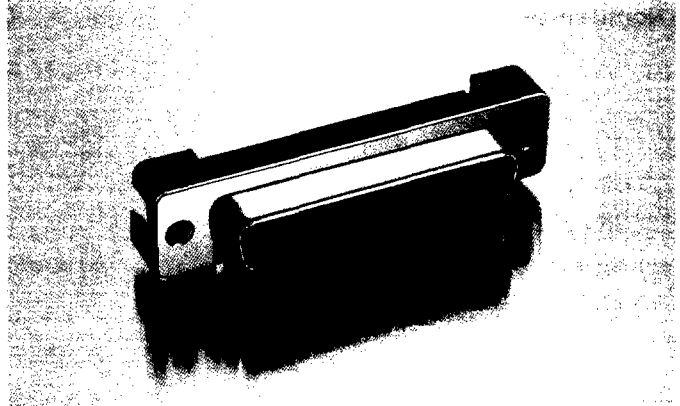


D SUBMINIATURE CONNECTOR JH SERIES

RIGHT ANGLE THROUGH-HOLE PLUG AND RECEPTACLE



Right angle through-hole plug (with hexagonal lock screw blocks)



Right angle through-hole receptacle (with no lock screw block, and a grounding adapter having a No.4-40UNC inch thread)

Features

- The depth is trimmed to 8.5mm (.335"), reducing the surface mounting area by 33% compared with our J series subminiature connectors.
- The weight of the JH series is 10% lighter than our J series.
- EJH series D subminiature connectors with noise filters are available. (Contact JST for details.)

JH series	J series

Right angle through-hole plug		Type A						
<p>H: Height of the lock screw block (for Types A, B & J)</p>								
Cir- cuits	Model No.		Dimensions mm(in.)					Q'ty / box
	Gold-plated (flash) plug	Gold-plated 0.76micron(30micro-inch)	A	B	C	D	E	
9	JHEY- 9P-1A**	JHEY- 9 P-1A**14	16.9 (.665)	24.99 (.984)	30.8 (1.213)	8.4 (.331)	4.9 (.193)	100
25	JHBY-25P-1A**	JHBY-25P-1A**14	38.97 (1.534)	47.04 (1.852)	53.0 (2.088)	8.5 (.335)	5.0 (.197)	40
<p>Note: ** shows the location where a two-digit code (see the table below for codes) should be entered. For example, if a gold-plated (flash) receptacle with hexagonal lock screw blocks having a No. 4-40UNC inch thread and with grounding adapter having a spring lock device is required, specify the model number as JHBY-25P-1A3A.</p>								
With grounding adapter with a spring lock device								
						3A		

MINIATURE CONNECTOR JH SERIES

Specifications

Materials

Part name		Material and Finish
Contact	Plug	Brass, nickel-undercoated, selective gold-plated
	Receptacle	Phosphor bronze, nickel-undercoated, selective gold-plated
Insulator		Glass-filled PBT, UL94V-0, black
Shell		Mild steel, copper-undercoated, nickel-plated
Hexagonal lock screw block		Mild steel, copper-undercoated, nickel-plated
Grounding adapter with spring lock device		Brass, copper-undercoated, tin-plated

Characteristics

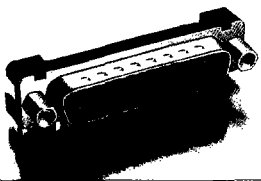
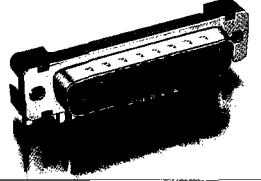
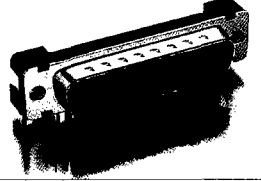
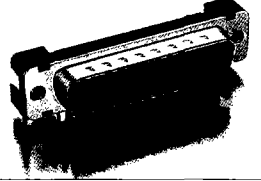
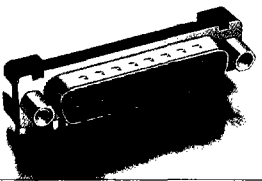
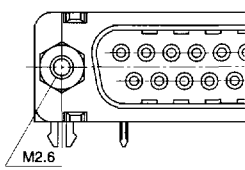
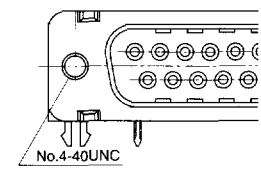
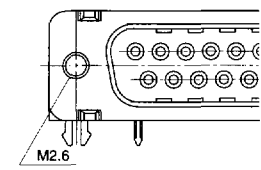
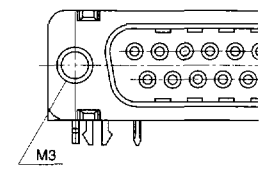
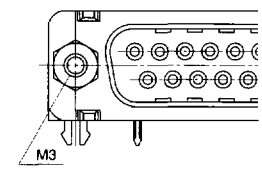
Current rating	3.0A AC, DC
Voltage rating	250V AC, DC
Temperature range	-40°C to +85°C (including temperature rise in applying electrical current)
Contact resistance	Initial value/15mΩ max. After environmental testing/30mΩ max.
Insulation resistance	5,000MΩ min.
Withstanding voltage	1,000V AC/minute
Applicable PC board thickness	1.6mm (.063")

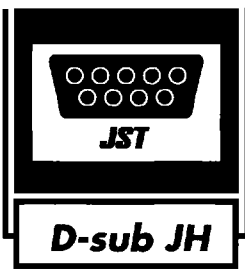
Note: Contact JST for details.

Model number identification

• Series name	JH B Y	25	P	1A	3	F	14
• Shell size: E, B							
• Wire connection type: Y ... Right angle through-hole type							
• Number of circuits: 9, 25							
• Connector type: P ... Plug, S ... Receptacle							
• Connector construction/dimensions: Standard of the JH series right angle through-hole type							
• Types of grounding adapter: 3 ... With grounding adapter having a spring lock device							
• Type of lock screw block: A ... With hexagonal lock screw blocks having a No. 4-40UNC inch thread B ... With hexagonal lock screw blocks having a M2.6 thread F ... With no lock screw block, and grounding adapters having a No. 4-40UNC inch thread G ... With no lock screw block, and grounding adapters having a M2.6 thread H ... With no lock screw block, and grounding adapter having a M3 thread J ... With hexagonal lock screw block having a M3 thread							
• Finish Blank ... Gold-plated (flash) 12 ... 0.2micron(8micro-inch) gold-plated 13 ... 0.4micron(16micro-inch) gold-plated 14 ... 0.78micron(30micro-inch) gold-plated							

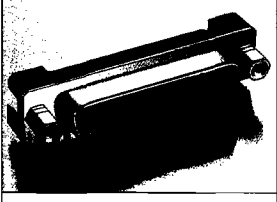
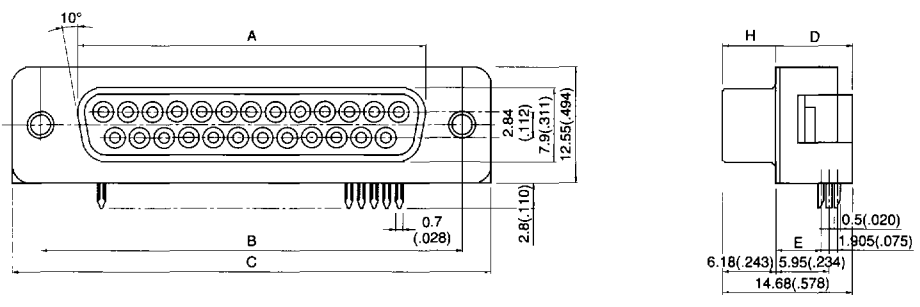
Note: Contact JST for special plating requirements.

Type B	Type F	Type G	Type H	Type J
				
With hexagonal lock screw blocks (H: 6.3mm (.248")) having a M2.6 thread	Without lock screw blocks F, G, H: Grounding adapter has threads (*1) for securing a separately-purchased lock screw block (*2)		With hexagonal lock screw blocks (H: 6.3mm (.248")) having an M3 thread	
	*1: No.4-40UNC inch thread *2: Model number HFS-4S-()1W(M)	*1: M2.6 thread *2: Model number HFS-2.6S-()1W(M)	*1: M3 thread *2: Model number HFS-3S-()1W(M)	
				
3B	3F	3G	3H	3J



D SUBMINIATURE CONNECTOR JH SERIES

Right angle through-hole receptacle Type A

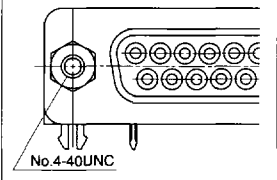


With hexagonal lock screw blocks (H: 6.3mm (.248")) having a No.4-40UNC inch thread

H: Height of the lock screw block (for Types A, B & J)

Circuits	Model No.		Dimensions mm(in.)					Qty/box
	Gold-plated (flash) receptacle	Gold-plated (0.76micron(30micro-inch)) receptacle	A	B	C	D	E	
9	JHEY-9S-1A**	JHEY-9S-1A**14	16.34(.643)	24.99(.984)	30.8(1.213)	8.4(.331)	4.9(.193)	100
25	JHBY-25S-1A**	JHBY-25S-1A**14	38.38(1.511)	47.04(1.852)	53.0(2.087)	8.5(.335)	5.0(.197)	40

Note:
 ** shows the location where a two-digit code (see the table below for codes) should be entered. For example, if a gold-plated (flash) receptacle with hexagonal lock screw blocks having a No. 4-40UNC inch thread and with grounding adapter having a spring lock device is required, specify the model number as JHBY-25P-1A3A.

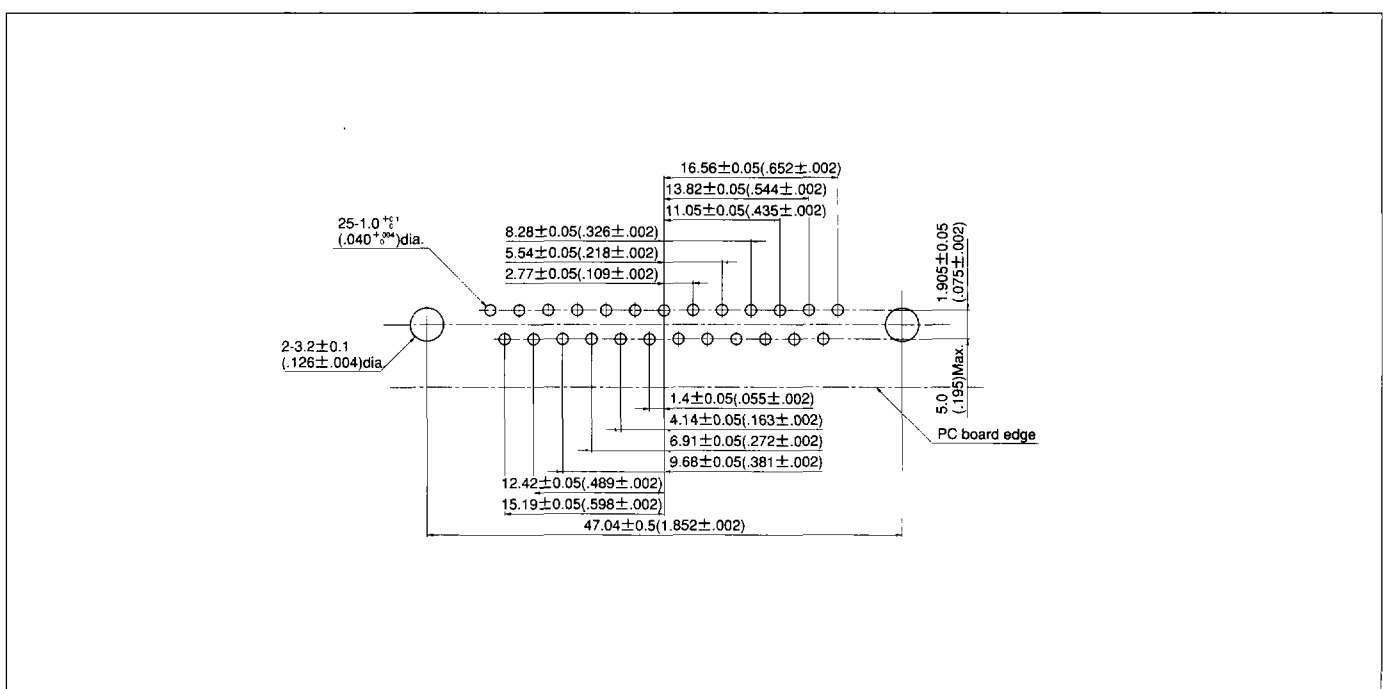


With grounding adapter with a spring lock device

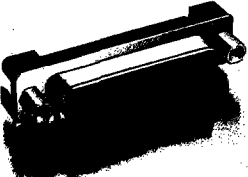
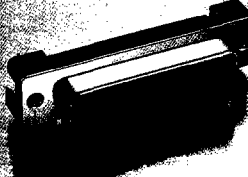
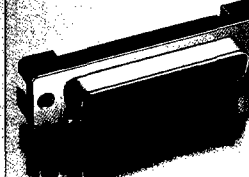
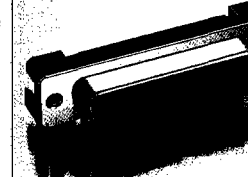
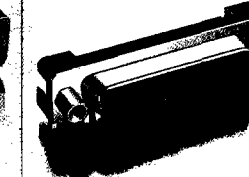
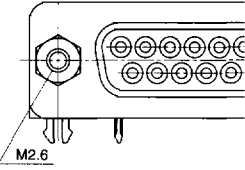
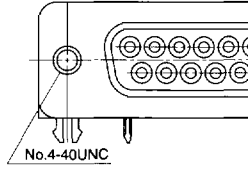
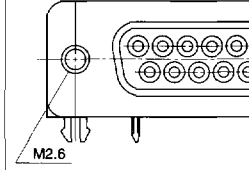
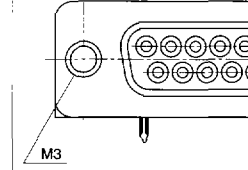
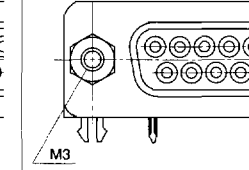


3A

PC board layout (viewed from component side)



GROUNDING ADAPTER FOR JHSERIES

Type B	Type F	Type G	Type H	Type J
				
With hexagonal lock screw blocks (H: 6.3mm (.248")) having a M2.6 thread	Without lock screw blocks F, G, H: Grounding adapter has threads (*1) for securing a separately-purchased lock screw block (*2)			With hexagonal lock screw blocks (H: 6.3mm (.248")) having a M3 thread
	*1: No.4-40UNC inch thread *2: Model number HFS-4S-()1W(M)	*1: M2.6 thread *2: Model number HFS-2.6S-()1W(M)	*1: M3 thread *2: Model number HFS-3S-()1W(M)	
				
3B	3F	3G	3H	3J

Panel layout

