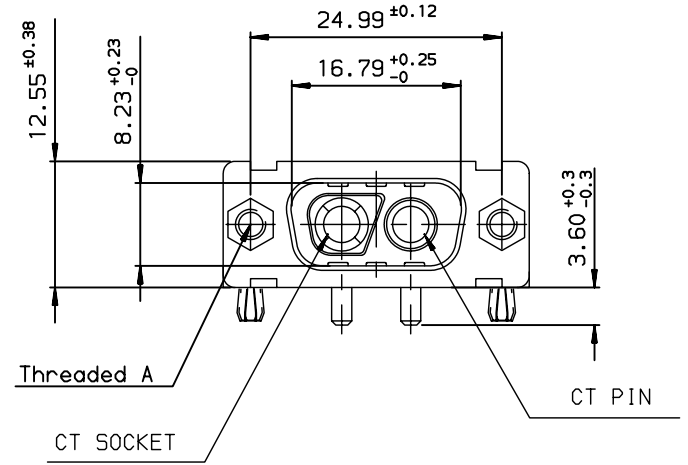
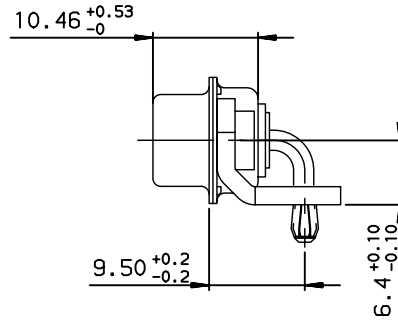
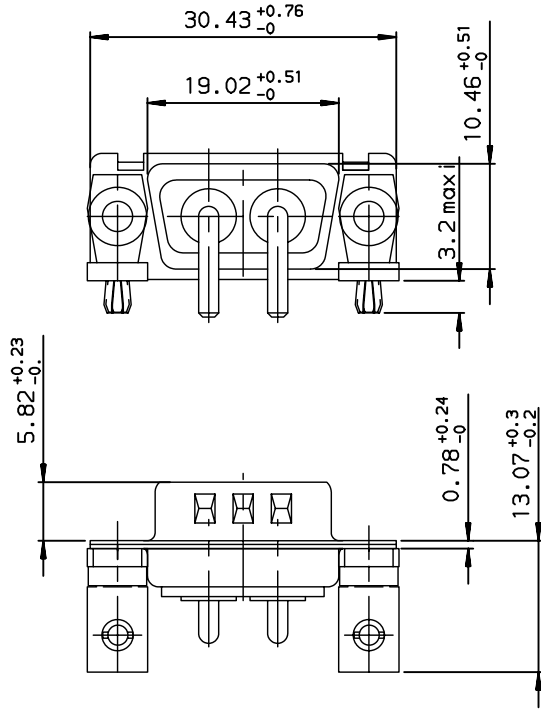
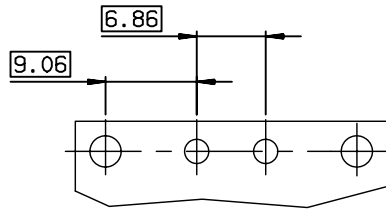


GENERAL CHARACTERISTICS : SEE DRAWING C01-8639-0001



DEL2V2P700G30	M3
DE02V2P700G30	UNC 4.40
PART NUMBER	Threaded A

LAYOUT DIMENSIONS (after plating)  
CONNECTOR SIDE VIEW



rev	ecn no	dr	date
C	-	MPE	2003/07/10
D	LS07-0094	MPE	2007/04/03
-	-	-	-
-	-	-	-
-	-	-	-
-	-	-	-

www.fciconnect.com		surface ISO 1302 ✓	tolerance std ISO 406 ISO 1101	projection mm
TOLERANCES UNLESS OTHERWISE SPECIFIED				
Dr	PESSON	2003/07/10	0.X	±0.1
Eng	PESSON	2007/04/03	0.XX	±0.1
Chr	LEGARE	2007/04/03	0.XXX	±0.1
Appr	LEGARE	2007/04/03	size A3 Scale 2	
Product family			ECN	LS07-0094
SUB			Spec ref	-
		<b>PIN CONNECTOR</b> WITH TWO POWERS CONTACTS		dwg no <b>C01-8639-0666</b>
catalog no		CUSTOMER		sheet 1 of 1 Rev. <b>D</b>

REV F - 2006-04-17