

Customer Information Sheet

DRAWING No.: C90-310IFXXSX-XX

SHEET 2 OF 2

IF IN DOUBT - ASK

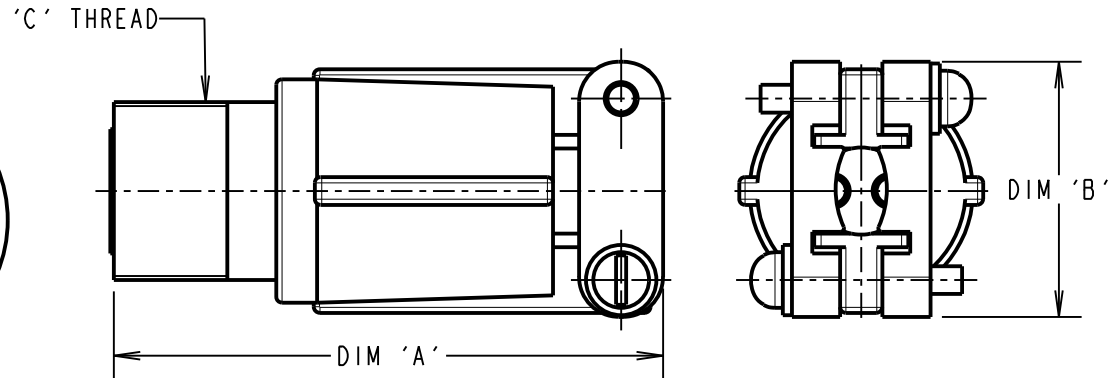
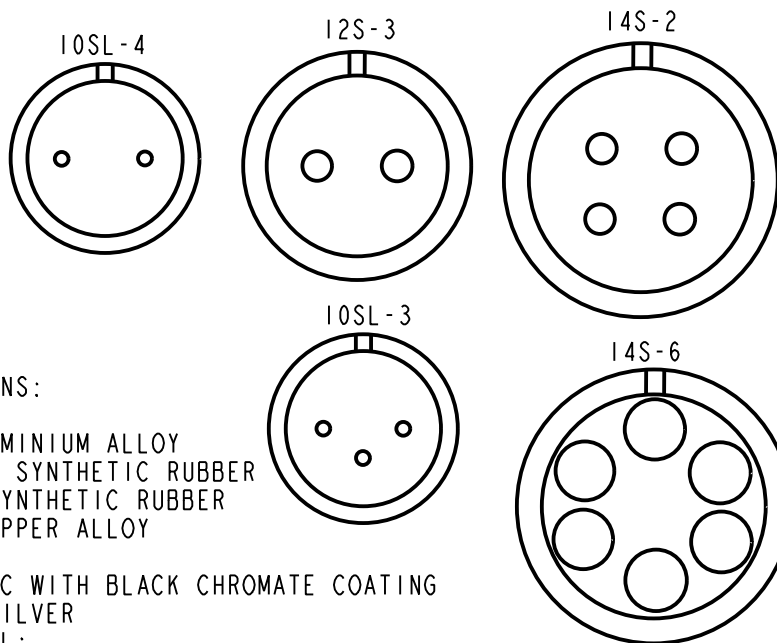
©

NOT TO SCALE

THIRD ANGLE PROJECTION

ALL DIMENSIONS IN mm

CONTACT LAYOUT (SHOWN LOOKING AT THE MATING FACE)



SPECIFICATIONS:

MATERIAL:

SHELL: ALUMINIUM ALLOY
INSULATOR: SYNTHETIC RUBBER
GROMMET: SYNTHETIC RUBBER
CONTACT COPPER ALLOY

FINISH:

SHELL: ZINC WITH BLACK CHROMATE COATING
CONTACT: SILVER

ENVIRONMENTAL:

OPERATING TEMPERATURE: -55°C TO +125°C

MECHANICAL:

VIBRATION SENSITIVITY: 10Hz TO 500Hz, 98mm/s² (10G)
SHOCK SEVERITY: 490m/s² (50G) FOR 11ms
WATER RESISTANCE (SEALING): 1.8m FOR 48HRS, EXCEEDS IP67

ELECTRICAL:

CURRENT RATING: 13A
VOLTAGE RATING: 10SL, 12S SHELL SIZES: 500V AC, 700V DC
14S SHELL SIZE: 200V AC, 250V DC

VOLTAGE PROOF: 10SL & 12S: 2,000V AC
14S: 1,000V AC

INSULATION RESISTANCE: 5,000MΩ MIN.

FOR MECHANICAL/ELECTRICAL REQUIREMENTS,
SEE COMPONENT SPECIFICATION C045XX (LATEST ISSUE)

ORDER CODE: **C90-310IFXXXX-X X**

SHELL SIZE (CONTACT LAYOUT)-
10SL-3, 10SL-4, 12S-3, 14S-2
14S-6

CONTACT GENDER

P - MALE
S - FEMALE

NOTES:

1. PRODUCT IS RoHS COMPLIANT
2. PRODUCT IS PACKED IN BAGS.
3. RECOMMENDED WIRE SIZE 16-22 AWG

SHELL SIZE	DIM 'A' MAX	DIM 'B' MAX	'C' THREAD
10SL	54.10	22.76	5/8-24UNEF
12S	54.10	22.76	3/4-20UNEF
14S	55.91	25.94	7/8-20UNEF

RA	6	22.02.11	11153
NAME	ISS.	DATE	C/NOTE
APPROVED:		R. ADDE	
CHECKED:		M.G. PLESTED	
DRAWN:		R. ADDE	
CUSTOMER REF.:			
ASSEMBLY DRG:			

HARWIN

HARWIN USA
TEL: 603 893 5376
FAX: 603 893 5396
mis@harwin.com

HARWIN Europe (UK)
TEL: 023 9231 4545
FAX: 023 9231 4590
mis@harwin.co.uk

HARWIN Asia
TEL: +65 6 779 4909
FAX: +65 6 779 3868
mis@harwin.com.sg

THIS DRAWING AND ANY INFORMATION OR DESCRIPTIVE MATTER SET OUT HEREON ARE CONFIDENTIAL AND COPYRIGHT PROPERTY OF THE HARWIN GROUP AND MUST NOT BE DISCLOSED, LOANED, COPIED OR USED FOR MANUFACTURING, TENDERING OR FOR ANY OTHER PURPOSE WITHOUT THEIR WRITTEN PERMISSION.

TOLERANCES

X. = ±1mm
X.X = ±0.25mm
X.XX = ±0.10mm
X.XXX = ±0.01mm

ANGLES = ±5°
UNLESS STATED

MATERIAL:

SEE ABOVE

FINISH: SEE ABOVE

S/AREA:

mm²

TITLE:

CABLE CONNECTOR

DRAWING NUMBER:

C90-310IFXXSX-XX

SHT
2
OF
2