

1

2

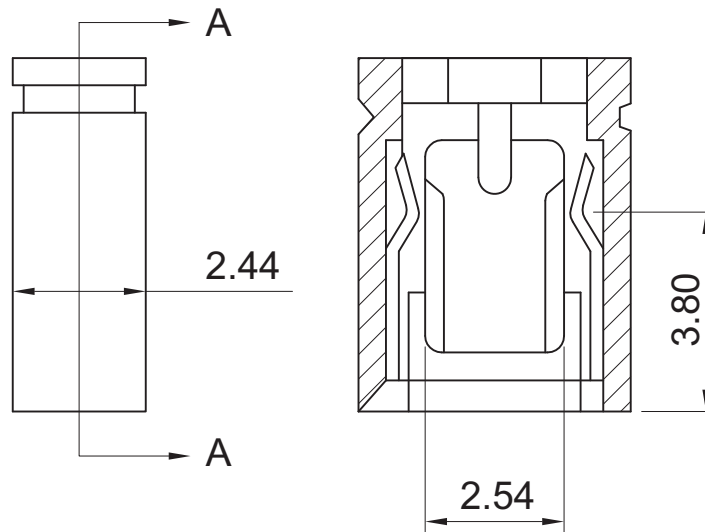
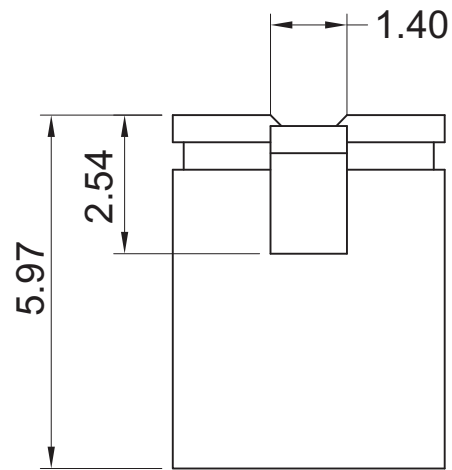
3

4

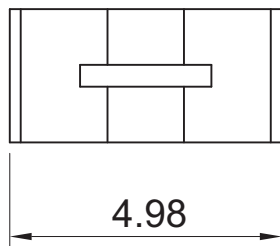
5

6

7



3.80
Contact Point



Material:

- Insulation: 30% Glass Filled PBT, UL94V-0
- Contact: Phosphor Bronze

Electrical:

- Current Rating: 3.0A Max.
- Contact Resistance: 30MΩ Max.
- Insulation Resistance: 1,000MΩ Min.
- Dielectric Voltage: 1,000V R.M.S. @1min.
- Operating and Storage Temperature: -40°C~+105°C

Unit: MM±0.25MM

Scale	1:1	Name		Item No.
TOLERANCE		Drawn	11.11.11	AKSPT-G-BLK-30-R
X.X	±0.40	Approved	Chappell	
X.XX	±0.25	Title Mini Jumper - w/Test Slot, 2.54 pitch, 30µ' contact plating		
X.XXX	±0.15	Drawing No.		
Angle	±3°	Replace		
		Sheet		
		Modification	Date	Name



rev00

1

2

3

4

5

6

7