

3-Vrms Cap-Less Line Driver with Adjustable Gain

Features

- Operation Voltage: 3V to 5.5V
- Cap-less Output
 - Eliminates Output Capacitors
 - Improves Low Frequency Response
 - Reduces POP/Clicks
- Low Noise and THD
 - SNR > 102dB
 - Typical $V_n < 12\mu\text{Vrms}$
 - THD+N < 0.02%
- Maximum Output Voltage Swing into 2.5k Load
 - 2Vrms at 3.3V Supply Voltage
 - 3Vrms at 5V Supply Voltage
- Differential Input
- External Gain Setting from 1V/V to 10V/V
- Fast Start-up Time : 0.5ms
- Integrated De-Pop Control
- External Under Voltage Protection
- Thermal Protection
- Less External Components Required
- +/-8kV IEC ESD Protection at line outputs

Applications

- LCD / PDP TVs
- CD / DVD players
- Set-Top Boxes
- Home Theater in Box

Description

The AD22650 is a 3-Vrms cap-less stereo line driver. The device is ideal for single supply electronics. Cap-less design can eliminate output dc-blocking capacitors for better low frequency response and save cost.

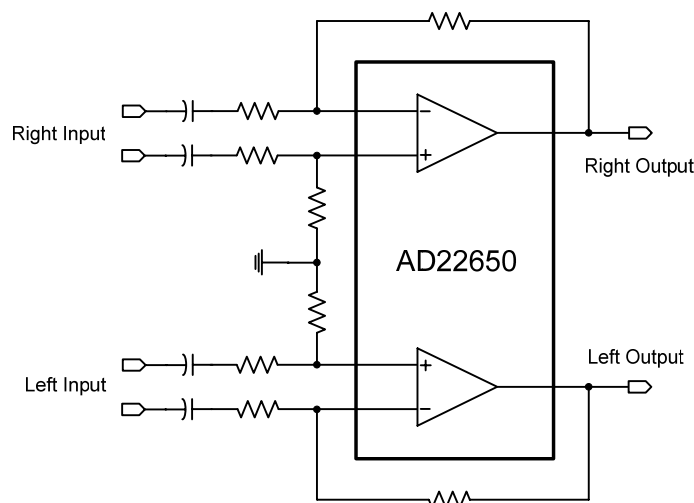
The AD22650 is capable of delivering 3-Vrms output into a 2.5k Ω load with 5V supply. The gain settings can be set by users from 1V/V to 10V/V externally. The AD22650 has internal and external under voltage protection to prevent POP noise. Build-in shutdown control and de-pop control sequence also help AD22650 to be a pop-less device.

The AD22650 is available in a 14-pin TSSOP package.

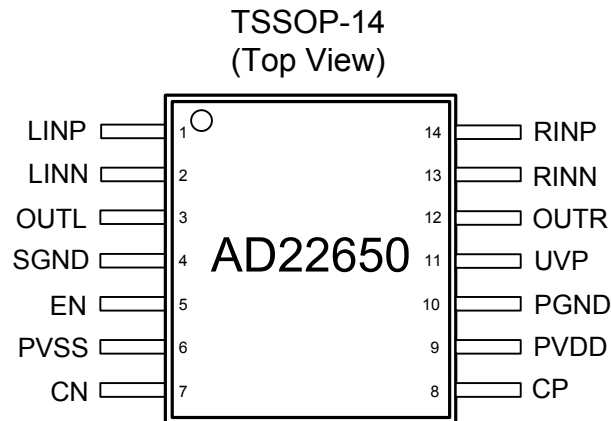
Ordering Information

| Product ID | Package | Packing | Comments |
|-----------------|----------|------------------------|----------|
| AD22650-QH14NAT | TSSOP-14 | 96 Units / Tube | Green |
| AD22650-QH14NAR | | 100 Tubes / Small Box | |
| | | 2.5k Units Tape & Reel | |

Simplified Application Circuit



Pin Assignments



Pin Description

| No. | Name | Type ⁽¹⁾ | Pin Description |
|-----|------|---------------------|--|
| 1 | LINP | I | Left channel OP positive input |
| 2 | LINN | I | Left channel OP negative input |
| 3 | OUTL | O | Left channel OP output |
| 4 | SGND | P | Signal ground |
| 5 | EN | I | Enable input, active high |
| 6 | PVSS | O | Supply voltage |
| 7 | CN | I/O | Charge-pump flying capacitor negative terminal |
| 8 | CP | I/O | Charge-pump flying capacitor positive terminal |
| 9 | PVDD | P | Positive supply |
| 10 | PGND | P | Power ground |
| 11 | UVP | I | Under-voltage protection input |
| 12 | OUTR | O | Right channel OP output |
| 13 | RINN | I | Right channel OP negative input |
| 14 | RINP | I | Right channel OP positive input |

(1) I=input, O=output, P=power