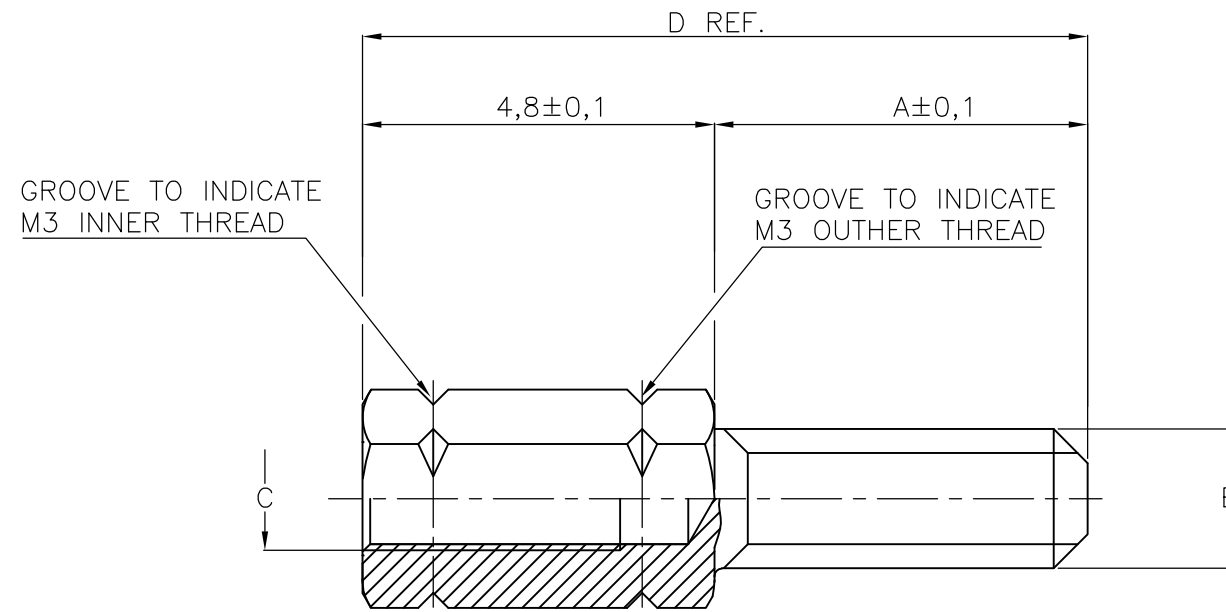
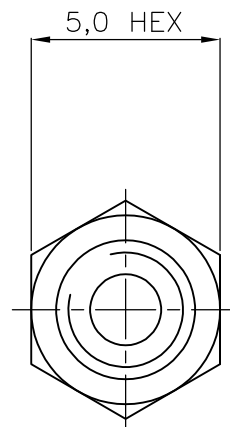


THIS DRAWING IS UNPUBLISHED. RELEASED FOR PUBLICATION
 © COPYRIGHT - By - ALL RIGHTS RESERVED.

| LOC | DIST | REVISIONS | | | | | |
|-----|------|-----------|-----|---------------------------|----------|-----|------|
| H | - | P | LTR | DESCRIPTION | DATE | DWN | APVD |
| | | | J | ECR-09-000314 | 21-05-09 | AEG | KMA |
| | | | J1 | REVISED PER ECO-09-023313 | 12OCT09 | KK | AEG |
| | | | J2 | ECR-10-026542 | 05JAN11 | KK | HMR |



1 OBSOLETE PARTS: OBSOLETE CIS STREAMLINING
 PER D.RENAUD/D.SINISI

| 1 | OBSOLETE | DIM "D" | DIM "C" | DIM "B" | DIM "A" | FINISH | MATERIAL | PART NUMBER |
|---|----------|---------|----------|----------|------------|-----------|----------|-----------------------|
| 1 | OBSOLETE | 10,8 | 4-40 UNC | 4-40 UNC | 6,0 | TINPLATED | BRASS | 3-829261-0 |
| 1 | OBSOLETE | 9,8 | M3 | 4-40 UNC | 5,0 | | | 2-829261-8 |
| | 4-40 UNC | | M3 | 5,0 | 2-829261-6 | | | |
| | M3 | | M3 | 5,0 | 2-829261-4 | | | |
| | 4-40 UNC | | 4-40 UNC | 5,0 | 2-829261-2 | | | |
| 1 | OBSOLETE | 19,0 | M3 | 4-40 UNC | 14,2 | | | 1-829261-8 |
| | 4-40 UNC | | M3 | 14,2 | 1-829261-6 | | | |
| | M3 | | M3 | 14,2 | 1-829261-4 | | | |
| | 4-40 UNC | | 4-40 UNC | 14,2 | 1-829261-2 | | | |
| | OBSOLETE | 12,7 | M3 | 4-40 UNC | 7,9 | | | 829261-8 |
| | | | 4-40 UNC | M3 | 7,9 | | | 829261-6 |
| | | | M3 | M3 | 7,9 | | | 829261-4 |
| | | | 4-40 UNC | 4-40 UNC | 7,9 | 829261-2 | | |

| | | | | | | |
|---|--|-------------------------------|--|-----------|------------|---------------|
| THIS DRAWING IS A CONTROLLED DOCUMENT. | | DWN D.KESSLER 02APR91 | TE Connectivity SCREWLOCK, FEMALE HD-SERIES | | | |
| DIMENSIONS: mm | | CHK C.V.TILBURG 23APR91 | | | | |
| TOLERANCES UNLESS OTHERWISE SPECIFIED: | | APVD L.V.SOEST 25APR91 | | | | |
| 0 PLC ± - 1 PLC ± 0,2 2 PLC ± - 3 PLC ± - 4 PLC ± - ANGLES ± | | NAME | | | | |
| MATERIAL | | PRODUCT SPEC | SIZE | CAGE CODE | DRAWING NO | RESTRICTED TO |
| FINISH | | APPLICATION SPEC | A300779 | | C-829261 | |
| | | WEIGHT | CUSTOMER DRAWING | | SCALE | SHEET |
| | | | | | NTS | 1 OF 1 |
| | | | | | | REV J2 |