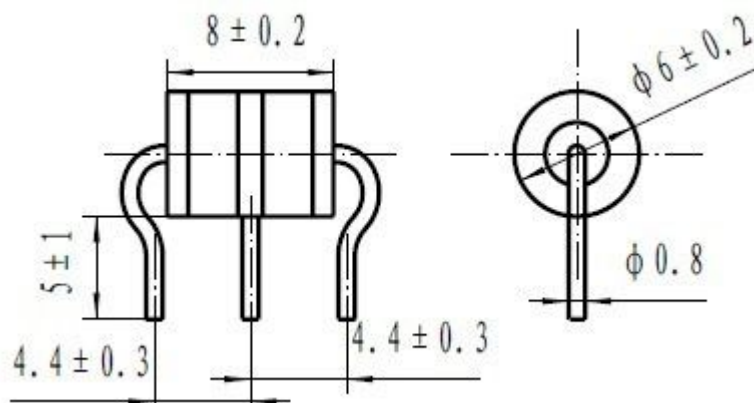


3-Electrode Gas Discharge Tubes

10KA

1: Dimension(mm)

Fast Delivery Time



3R250B Photo

2: Main Applications

- PCI Cards protection
- Telephone/Fax/Modem protection
- single line protection
- ADSL/XDSL Splitter, Power Supply
- Surge Protection Device/Surge Protector

3: Features

- 100% Lead-Free (RoHS Compliant)
- Non-Radioactive
- Low capacitance ($\leq 1\text{pF}$)
- Fast Response-time, High Insulation Resistance.
- Small size : Ø6x8(mm)

4 Electrical Characteristics

Part Number	DC Spark-over Voltage @ 100V/S	Impulse Spark-over Voltage @ 100V/ μs	Impulse Spark-over Voltage @ 1KV/ μs	Insulation Resistance	Impulse discharge current (8/20 μs)		AC discharge current (50Hz, 1s, 10ti mes)	Capacitance (1MHz)
	V	V	V	G Ω	10 Times	1 Time	A	PF
3R75B	75±20%	<500	<600	>1	10KA	12KA	10	≤ 1
3R90B	90±20%	<500	<600	>1	10KA	12KA	10	≤ 1
3R150B	150±20%	<500	<600	>1	10KA	12KA	10	≤ 1
3R230B	230±20%	<600	<700	>1	10KA	12KA	10	≤ 1
3R250B	250±20%	<600	<700	>1	10KA	12KA	10	≤ 1
3R300B	300±20%	<800	≤ 900	>1	10KA	12KA	10	≤ 1
3R350B	350±20%	<900	≤ 1000	>1	10KA	12KA	10	≤ 1
3R400B	400±20%	<900	≤ 1000	>1	10KA	12KA	10	≤ 1
3R420B	420±20%	<900	≤ 1000	>1	10KA	12KA	10	≤ 1
3R470B	470±20%	<1100	≤ 1200	>1	10KA	12KA	10	≤ 1
3R500B	500±20%	<1100	≤ 1200	>1	10KA	12KA	10	≤ 1
3R600B	600±20%	<1200	≤ 1300	>1	10KA	12KA	10	≤ 1
3R800B	800±20%	<1300	≤ 1400	>1	10KA	12KA	10	≤ 1

Packing Quantity : 100PCS

Shen Zhen HuaXinAn Electronics Co.,Ltd

sales@huaandz.com

abc0734@126.com