

THIS DRAWING IS UNPUBLISHED. RELEASED FOR PUBLICATION
 © COPYRIGHT - By - TE CONNECTIVITY ALL RIGHTS RESERVED.

LOC	DIST	REVISIONS						
		P	LTR	DESCRIPTION	DATE	DWN	APVD	
HB	-		D2	CHANGE LOGO&ADD LINE IDENTIFICATION	EC0-12-001771	21Aug2012	YS.H	BH.Y

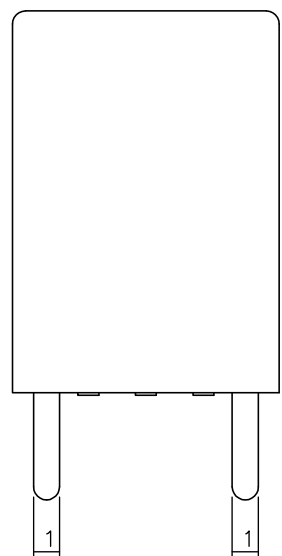
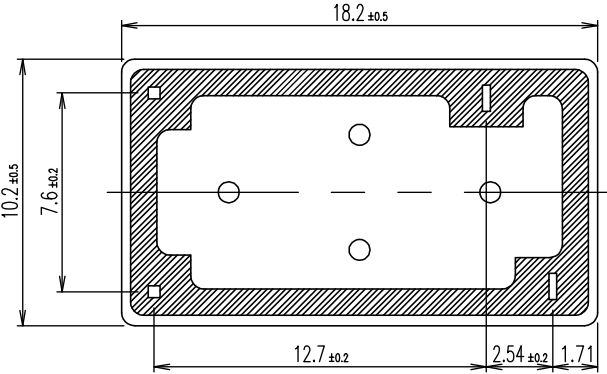
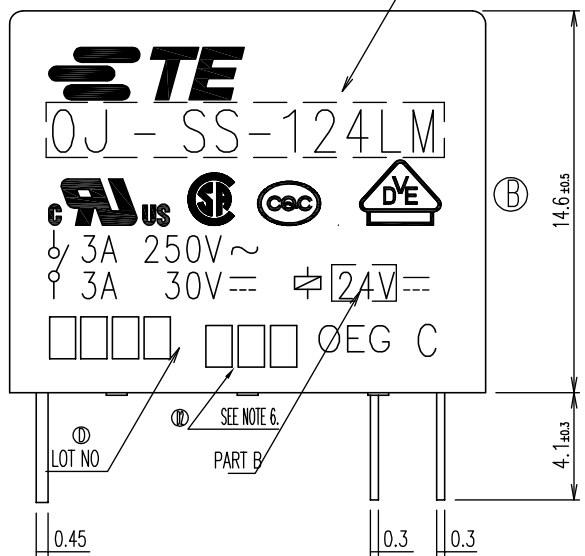
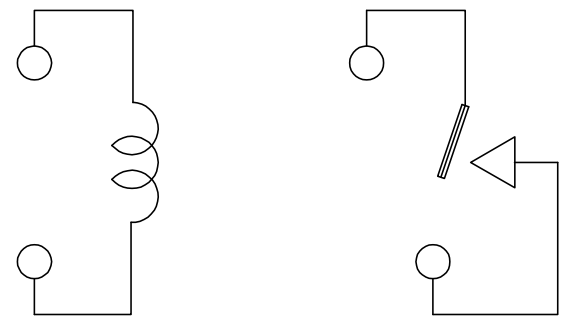


Diagram dimension	Tolerance
0.99mm max.	±0.1mm
1 - 2.99mm	±0.2mm
3mm min.	±0.3mm



CONNECTION FIGURE

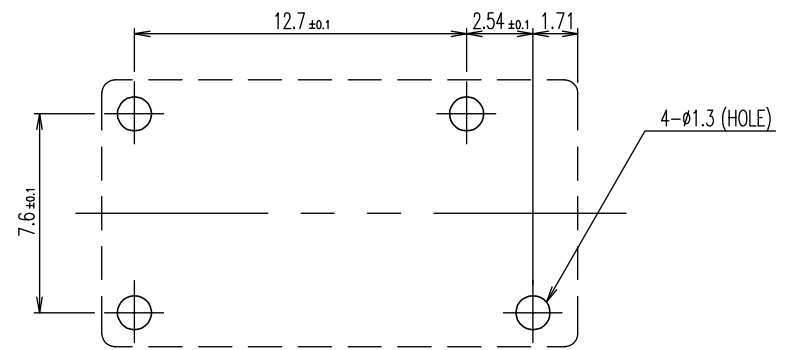


FIGURE FOR PRINTED CIRCUIT BOARD PROCESSING
(BOTTOM VIEW)

THIS DRAWING IS A CONTROLLED DOCUMENT.		DWN	H,Sasaki		TE Connectivity
DIMENSIONS: 單位: 耗 mm		CHK	Y.Oikawa		
TOLERANCES UNLESS OTHERWISE SPECIFIED: 一般公差		APVD	A.Nagai		
	0 PLC ± -	PRODUCT SPEC	NAME OJ-SS-LM SPEC,000 CUSTOMER DRAWING		
	1 PLC ± -	APPLICATION SPEC	SIZE	A3	
	2 PLC ± -	取付適用規格	CAGE CODE	00779	
	3 PLC ± -		DRAWING NO	1461117	
MATERIAL 材料	4 PLC ± -		RESTRICTED TO	-	
	FINISH 仕上		SCALE	5:1	
	ANGLES ± -	WEIGHT	SHEET 1 of 2		
		CUSTOMER DRAWING	REV D2		

THIS DRAWING IS UNPUBLISHED. RELEASED FOR PUBLICATION
 © COPYRIGHT - By - TE CONNECTIVITY ALL RIGHTS RESERVED.

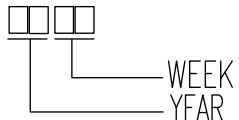
LOC HB	DIST -	REVISIONS 變更		
		P	LTR	DESCRIPTION
			-	SEE SHEET 1
				DATE
				DWN
				APVD

ACTIVE	3-1419129-1	OJ-SS-124LM, 000	107-79010	24V	OJ-SS-124LM	f
OBSELETE	4-1419144-2	OJ-SS-118LM, 000	107-79010	18V	OJ-SS-118LM	e
ACTIVE	2-1419129-1	OJ-SS-112LM, 000	107-79010	12V	OJ-SS-112LM	d
OBSELETE	1461117-3	OJ-SS-109LM, 000	107-79010	9V	OJ-SS-109LM	c
OBSELETE	1440007-1	OJ-SS-106LM, 000	107-79010	6V	OJ-SS-106LM	b
ACTIVE	1440007	OJ-SS-105LM, 000	107-79010	5V	OJ-SS-105LM	a
PART STATUS	PART NO	DESCRIPTION	PACKAGE SPEC.	PART B	PART A	TYPE

RELAY TYPE

①② NOTE:

1.LOT NO SYSTEM AS FOLLOWING:



③ 2.TERMINAL DIMENSION IS BEFORE SOLDER DIP;

④ 3.FOR THE TIN-PLATING OF THE PINS:
 +0.1mm FOR WIDTH, THICKNESS AND DIAMETER.

+0.5mm FOR LENGTH.

⑤ 4.MARKING FROM INK TO LASER.

⑥ 5.ADD LOT NO. SYSTEM AS FOLLOWING;

I, DIGITS FOR DAY OF THE WEEK
 I II III

1...MONDAY IN THIS WEEK;
 2...TUESDAY IN THIS WEEK;

.....
 7...SUNDAY IN THIS WEEK

II, DIGITS FOR SHIFT OF THE DAY

1...DAY SHIFT IN THIS DAY;
 2...NIGHT SHIFT IN THIS DAY;

III, ONE CHARACTER DISTINGUISH THE
 LINE IDENTITY, SUCH AS: A,B,....Z

		EPOXY RESIN	SEAL (BASE & BOBBIN)	15
		3UEW	MAGNETIC WIRE	14
94V-0		P.B.T	CASE	13
94V-0		P.B.T	BASE	12
94V-0		P.B.T	BOBBIN	11
	SOLDER DIP	C.P WIRE	COIL TERMINAL	10
94V-0		P.P.S	CARD	9
		Ag	MOVABLE CONTACT	8
		Ag	NO.CONTACT	7
		STEEL	HINGE SPRING	6
	SOLDER DIP	Cu ALLOY	NO.TERMINAL	5
	SOLDER DIP	Cu ALLOY	MOVABLE SPRING	4
	NIP	STEEL	CORE	3
	NIP	STEEL	ARMATURE	2
	NIP	STEEL	YOKE	1
INCOMBUSTIBILITY	TREATMENT	MATERIAL	DESCRIPTION	ITEM

THIS DRAWING IS A CONTROLLED DOCUMENT.		DWN	H,Sasaki	TE Connectivity	
		CHK	Y.Oikawa	OJ-SS-LM SPEC,000 CUSTOMER DRAWING	
DIMENSIONS: 單位: 耗 mm		APVD	A.Nagai	NAME 名称	
TOLERANCES UNLESS OTHERWISE SPECIFIED: 一般公差		PRODUCT SPEC		SIZE	CAGE CODE
0 PLC ± -		APPLICATION SPEC		DRAWING NO 番号	RESTRICTED TO
1 PLC ± -				A3	00779
2 PLC ± -				G=	1461117
3 PLC ± -				SCALE 尺度	5:1
4 PLC ± -				SHEET	2 of 2
ANGLES ± -		WEIGHT	-	REV	D2
MATERIAL 材料	FINISH 仕上	CUSTOMER DRAWING			