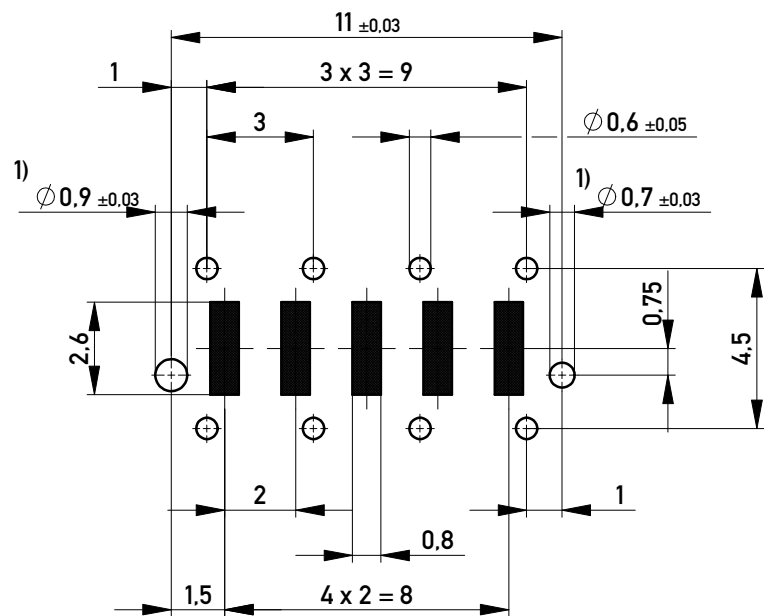
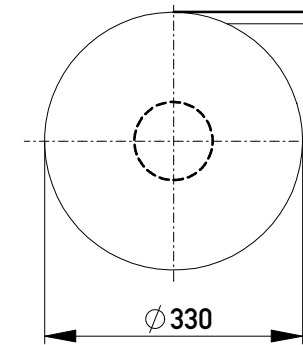


Leiterplatten-Layout Vorschlag / PCB-layout proposal

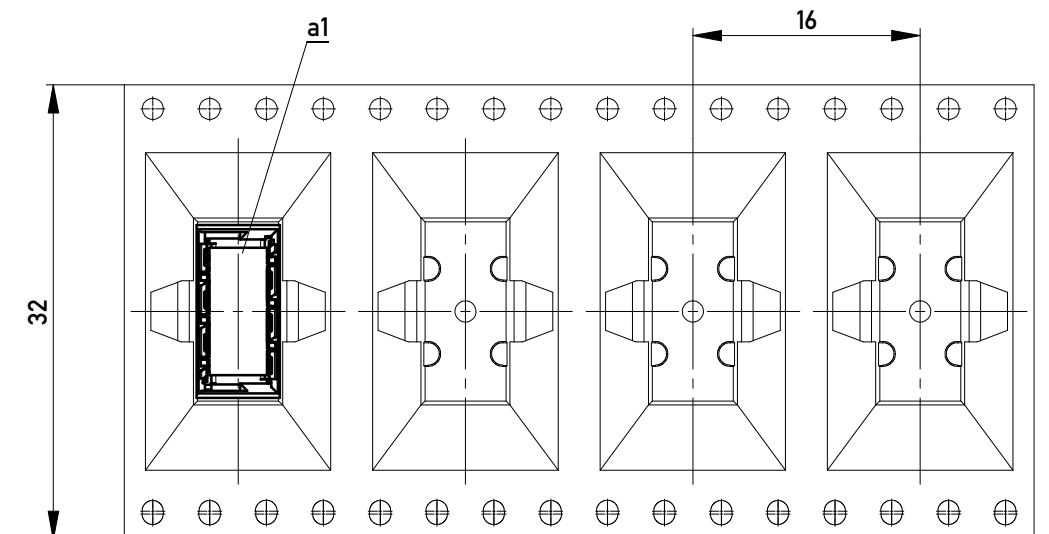


1) Durchmesser des Bohrers / Drill tool

Verpackt im Gurt nach DIN IEC 60286-3
 Tape on Reel Packaging according to DIN IEC 60286-3
 Verpackungseinheit: 220 Stück
 Packaging unit: 220 pcs



Abspulrichtung - Reel off Direction



Anforderungsstufe 1
 Performance Level 1

Kontaktbereich vergoldet
 Mating Area gold plating

Anschlussbereich verzinkt 4-6 µm
 Terminal Area 4-6 µm tin plating

Koplanarität der Anschlüsse ≤ 0,1 mm
 Coplanarity Area of Termination ≤ 0,1 mm

Information:	Tolerances	 All Dimensions in mm	Scale	5:1
	All rights reserved. Only for Information. To ensure that this is the latest version of this drawing, please contact one of the ERNI companies before using.		Designation Messerleiste THR, Powerm. 10mm Male Con. THR, Powerm. 10mm	
Subject to modification without prior notice. Drawing will not be updated.		 www.ERNI.com	100401180001	
k	06.02.2014		Class	MSPEED
Index	Date			K A3

Copyright by ERNI GmbH
 Proprietary notice pursuant to ISO 16016 to be observed.