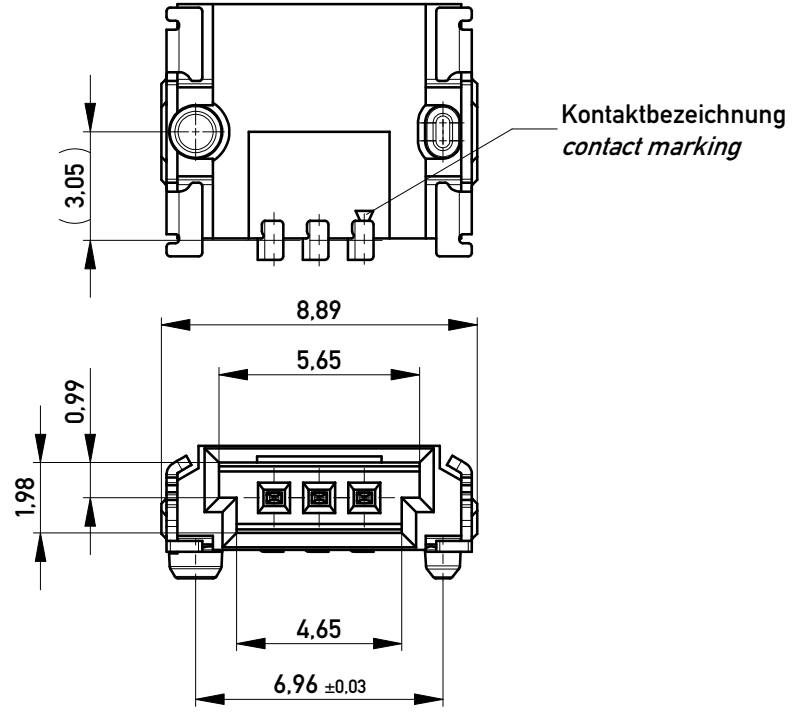


Verpackt in Gurtverpackung - *Tape on Reel Packaging*
 Verpackungseinheit: 1000 Stück - *Packaging unit: 1000 pcs*

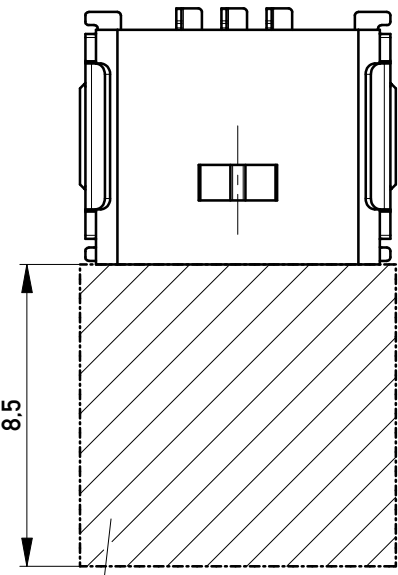
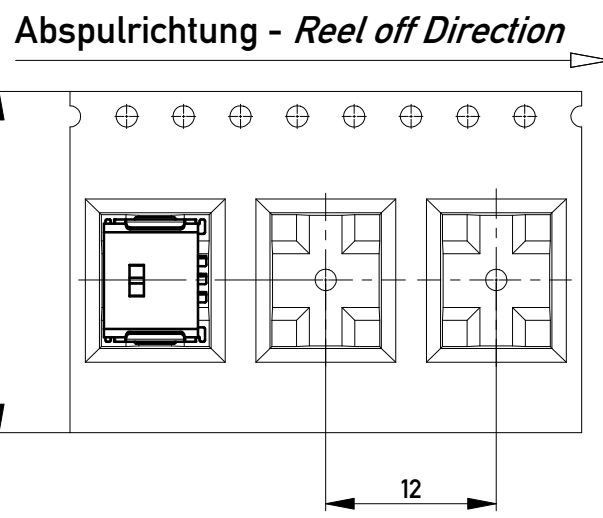
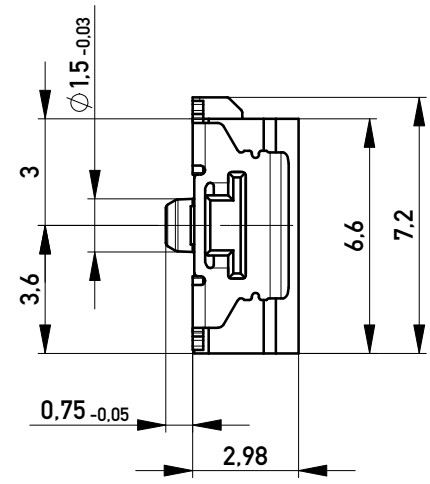
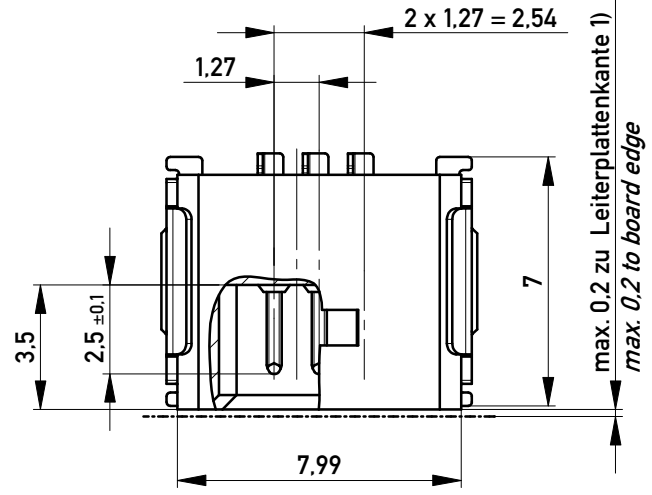
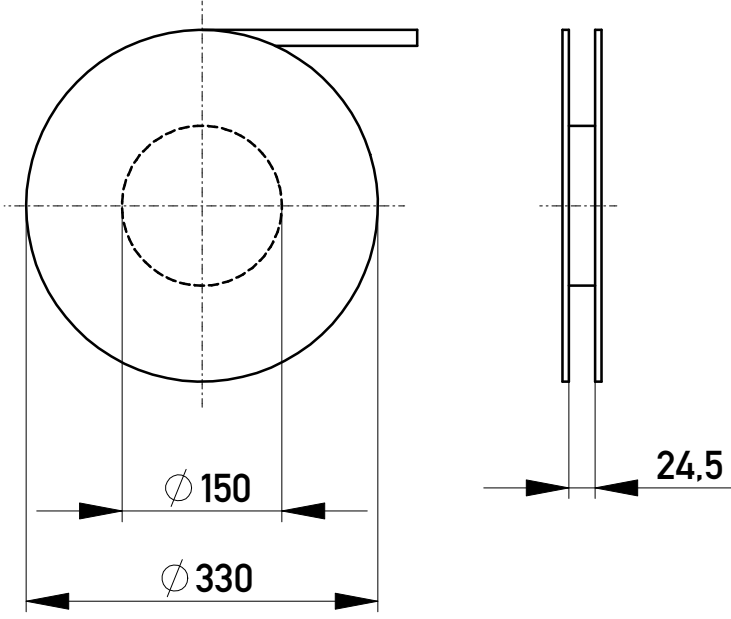


Anforderungsstufe 1
Performance Level 1

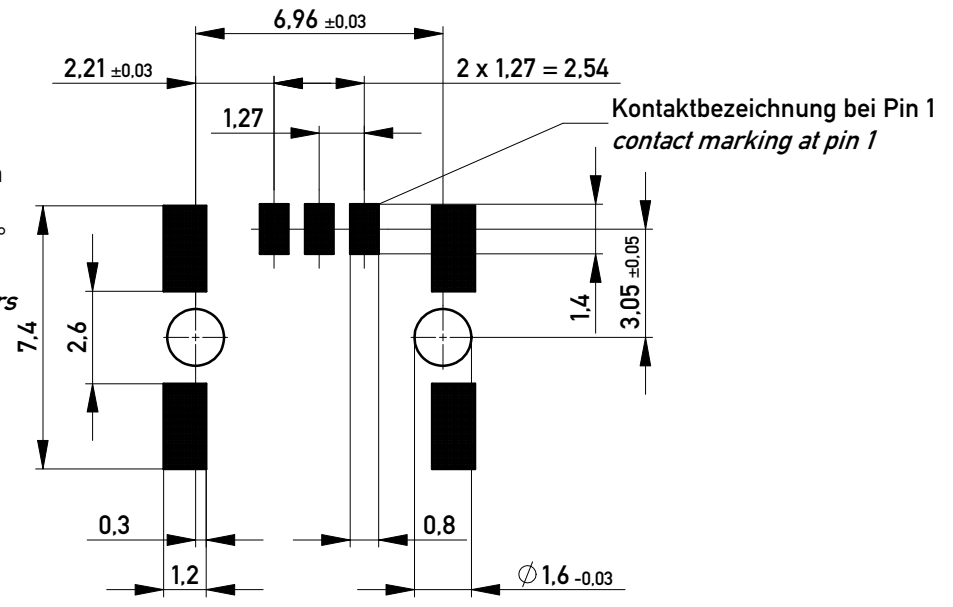
Kontaktbereich vergoldet
Mating Area gold plating

Anschlussbereich verzinkt 4-6 µm
Terminal Area 4-6 µm tin plating

Koplanarität der Anschlüsse ≤ 0,1 mm
Coplanarity Area of Termination ≤ 0,1 mm



Leiterplatten-Layout für SMT
PCB-Layout for SMT



Sperrfläche für Leiterbahnen
 gültig bei Verwendung von
 Gegenstecker Federleiste 90°
 in SKV Ausführung
*Restricted area for conductors
 valid for use by mating
 female connector 90°
 in SKV version*

1) gültig bei Verwendung von Gegenstecker Federleiste 90° in SMD Ausführung
valid for use by mating female connector 90° in SMD version

| | | | | |
|--|---|-----------------------------|---|-----|
| Information: | Tolerances | All Dimensions in mm | Scale | 5:1 |
| | All rights reserved. Only for Information. To ensure that this is the latest version of this drawing, please contact one of the ERNI companies before using. | | Designation 1,27 SRC A, 3-polig 1,27 SRC A, 3-pin | |
| Subject to modification without prior notice. Drawing will not be updated. | | www.ERNI.com | 100400980007 | |
| d | 06.10.2011 | | Class SRCA | |
| Index | Date | K A3 | | |

Copyright by ERNI GmbH
 Proprietary notice pursuant to ISO 16016 to be observed.