

Revision Information

This document contains information that is subject to change without notice. Contact Technical Publications for latest revision information.

MC2006

CMOS Pre-amplifier with AGC for Long-reach 155 Mbps Fiber-optics Based Transmitter

The MC2006 is a low-noise, transimpedance amplifier with AGC, manufactured in sub-micron CMOS. Its wide dynamic range, differential output and high PIN bias make it well suited for telecommunications, especially OC-3/STM-1. However, the MC2006 is intended to meet the needs of both Telecom and Datacom users.

The MC2006 is available only in die form. For optimum system performance, die should be mounted in close proximity with the photodetector.

The MC2006 is designed to be used with the MC2045 postamplifier IC. When combined with a photodiode, the chip set forms a high performance, low cost 5 V receiver.

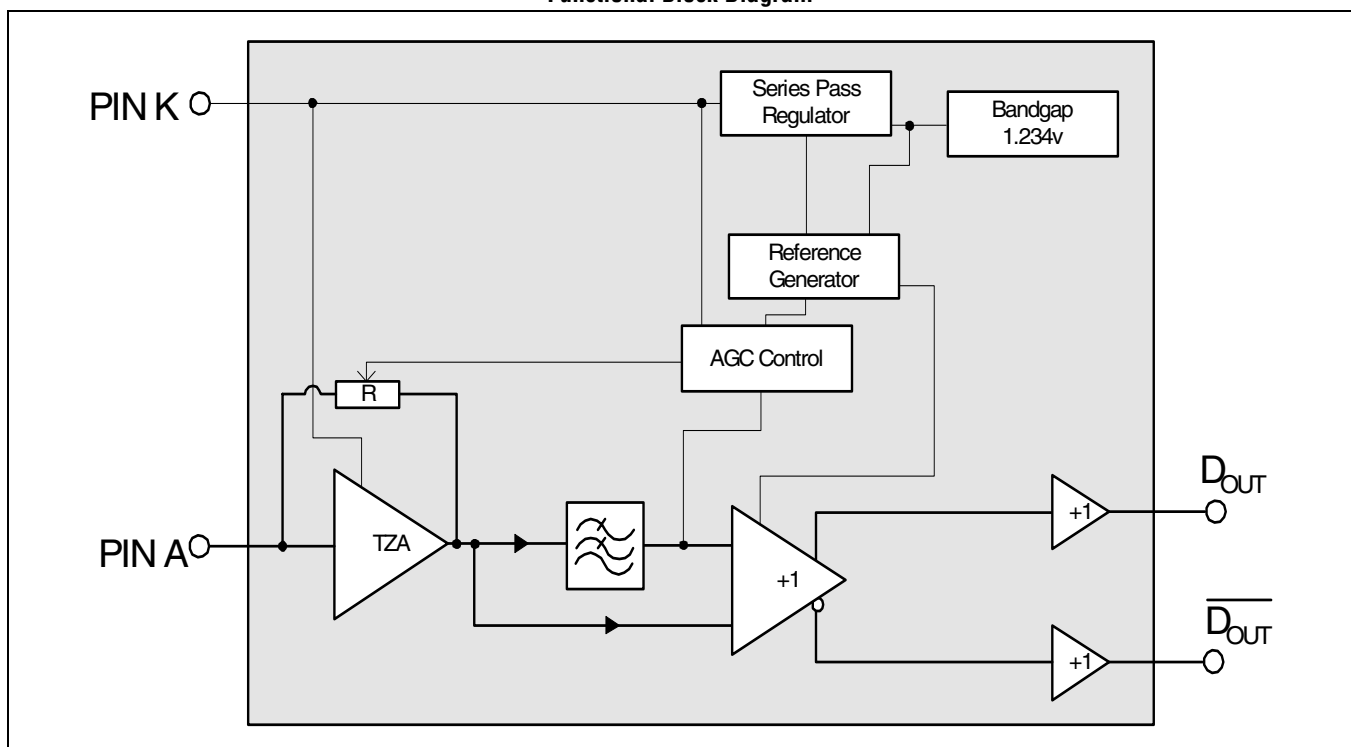
Features

- Low-cost IC, fabricated in sub-micron CMOS
- Receiver sensitivity typically -40 dBm at 155 Mbps, when integrated into a module with suitable photodiode and post-amplifier
- 115 MHz bandwidth allows wide range of operation; suitable for 100, 125 and 155 Mbps
- Typical differential gain of 200 k Ω at low signal levels
- AGC gives continuous operation to >0 dBm
- 165 mW power consumption at +5 V supply
- > 35 dB Power-supply noise rejection
- Available as die

Applications

- SDH / SONET / ATM
- Fast Ethernet

Functional Block Diagram



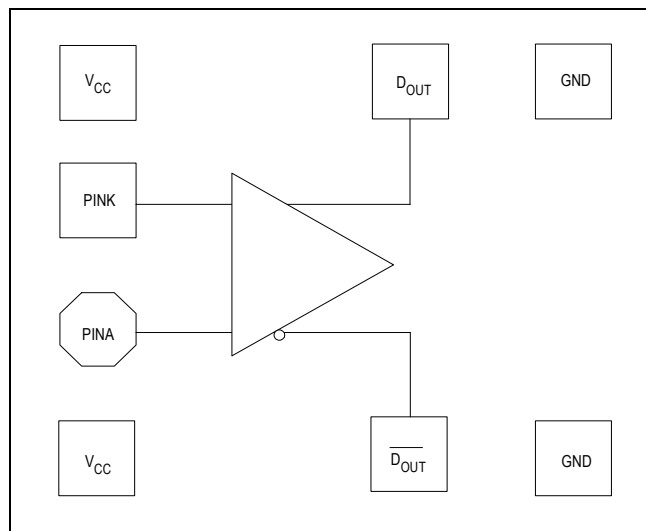
Ordering Information

Part	Pin-package
MC2006DIE	Waffle pack
MC2006DIE	Expanded whole 8" wafer on a 10" grip ring

Revision History

Revision	Level	Date	Description
B	Release	June 2006	Updated format. Updated Absolute Maximum Ratings. Added TIA Use with Externally Biased Detectors section.
A	Release	February 2002	Initial Release.

Top Level Diagram





1.0 Product Specification

1.1 Absolute Maximum Ratings

Table 1-1. Absolute Maximum Ratings

Symbol	Parameter	Rating	Units
T_A	Operating ambient (SOIC8)	-40 to +85	°C
T_{STG}	Storage temperature	-65 to +150	°C
V_{PINA} , V_{PINK} , V_{Dout} , V_{DoutB} ,	Input voltage at PINA, PINK, Dout, DoutB	-0.4 to V_{CC} +0.4	V
I_{PINK}	Maximum Current sourced out of PINK	10	mA
V_{CC}	Power Supply (V_{CC} – GND)	-0.4 to 6	V

1.2 DC Characteristics

Table 1-2. DC Characteristics

Symbol	Parameter	Min.	Typ.	Max.	Units
V_B	PIN bias voltage (PINK - PINA)	2	2.3	2.6	V
V_{CM}	Common mode output voltage	-	$V_{CC}/2$	-	V
I_{CC}	Supply current (no loads)	-	-	35	mA

1.3 AC Characteristics

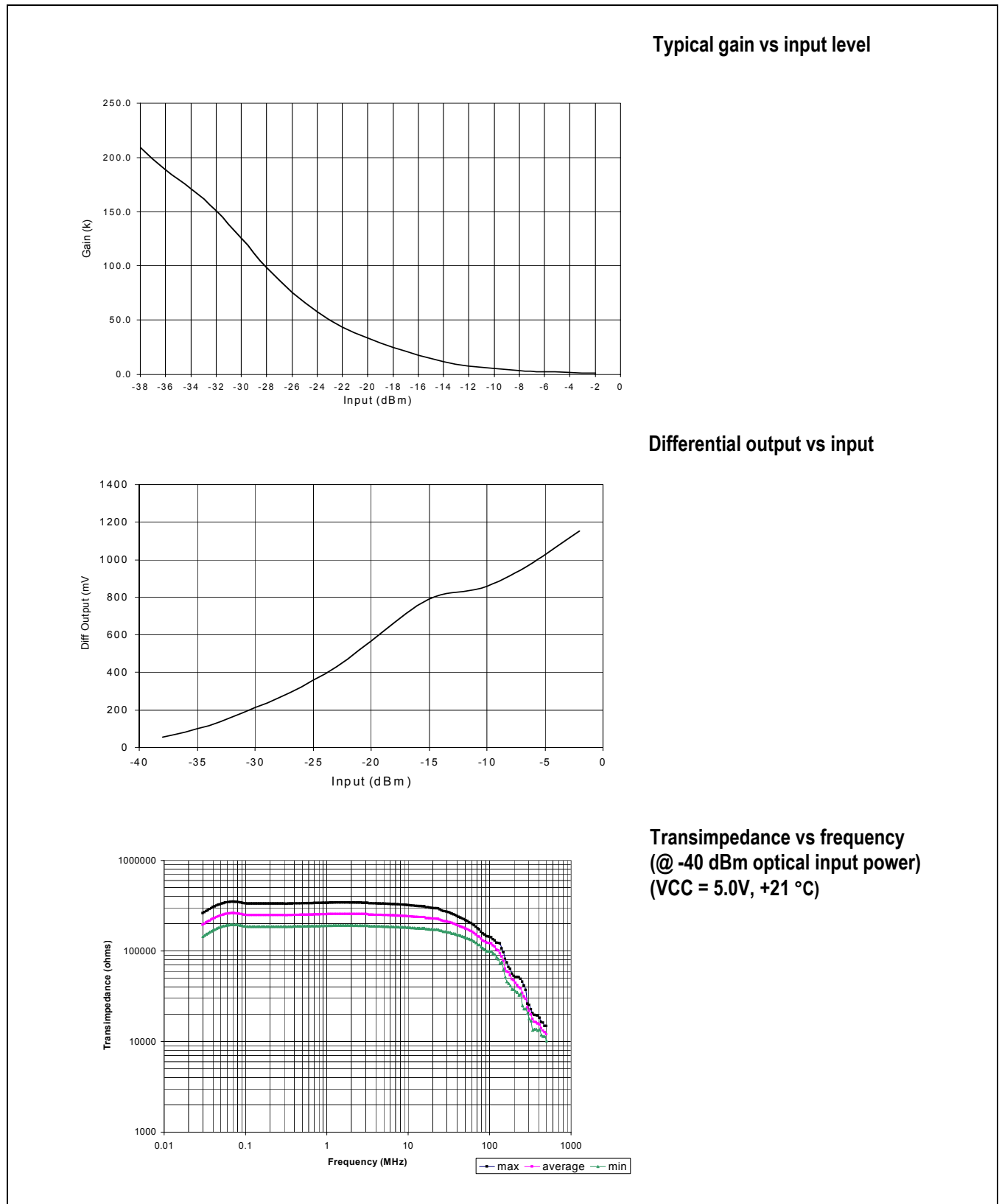
Table 1-3. AC Characteristics

Symbol	Parameter	Max.	Typ.	Min.	Units
R _{OUT}	Output impedance (single ended)	-	50	-	Ω
I _{NOISE}	Input noise current ^{(1), (2)}	-	7.5	12	nA _{rms}
PIN(mean), Min.	Optical sensitivity ^{(1), (2)}	-40	-	-37	dBm
I _{MAX}	Input overload current	2.2	4.5	-	mApp
PIN(mean), Max.	Optical saturation ⁽²⁾	-	+3	-	dBm
G	Small signal transimpedance ^{(3), (4)} Single ended : Differential :	- -	- -	130 260	kΩ
V _D	Differential output voltage ⁽³⁾	-	-	800	mV
BW	Bandwidth to -3 dB point (electrical)	100	-	-	MHz
T _r T _f	Data out rise/fall times (20% - 80% points)	-	-	2	ns
T _{PWD}	Pulse width distortion	-	-	1	%
OS _{PULSE}	Pulse overshoot	-	-	3	%
T _{AGC}	AGC setting time	-	-	100	μs
OS _{AGC}	AGC overshoot	-	-	12	%
PSRR	Power supply rejection ratio (<4 MHz)	40	-	-	dB

NOTES:

1. Measured with input capacitance, C_{IN} = 0.7 pF to 1.0 pF
2. Assuming photodiode response of 0.9 A/W, extinction ratio of 10 dB and BER of 10⁻¹⁰
3. The 2007 is designed to drive a load >500 Ω. Measurements are taken into high Z.
4. Measured at 10 MHz.

Figure 1-1. Typical Performance Curves





2.0 Pin Description

2.1 Pin Descriptions

Table 2-1. Pin Descriptions

Die Pad No	Name	Function
1, 8	GND	Ground pin. Connect to the most negative supply, Both pins should be used
2	D _{OUT}	Non-inverted data output. Differential output with D _{OUT} (goes high as light increases)
3, 6	V _{CC}	Power pin. Connect to most positive supply. Either or both pins may be used
4	PINK	PIN cathode connection. Connect between this pin and PINA. Connect a decoupling capacitor to ground
5	PINA	PIN anode connection. Connect between this pin and PINK
7	D _{OUT}	Inverted data output. Differential output with D _{OUT}



3.0 Functional Description

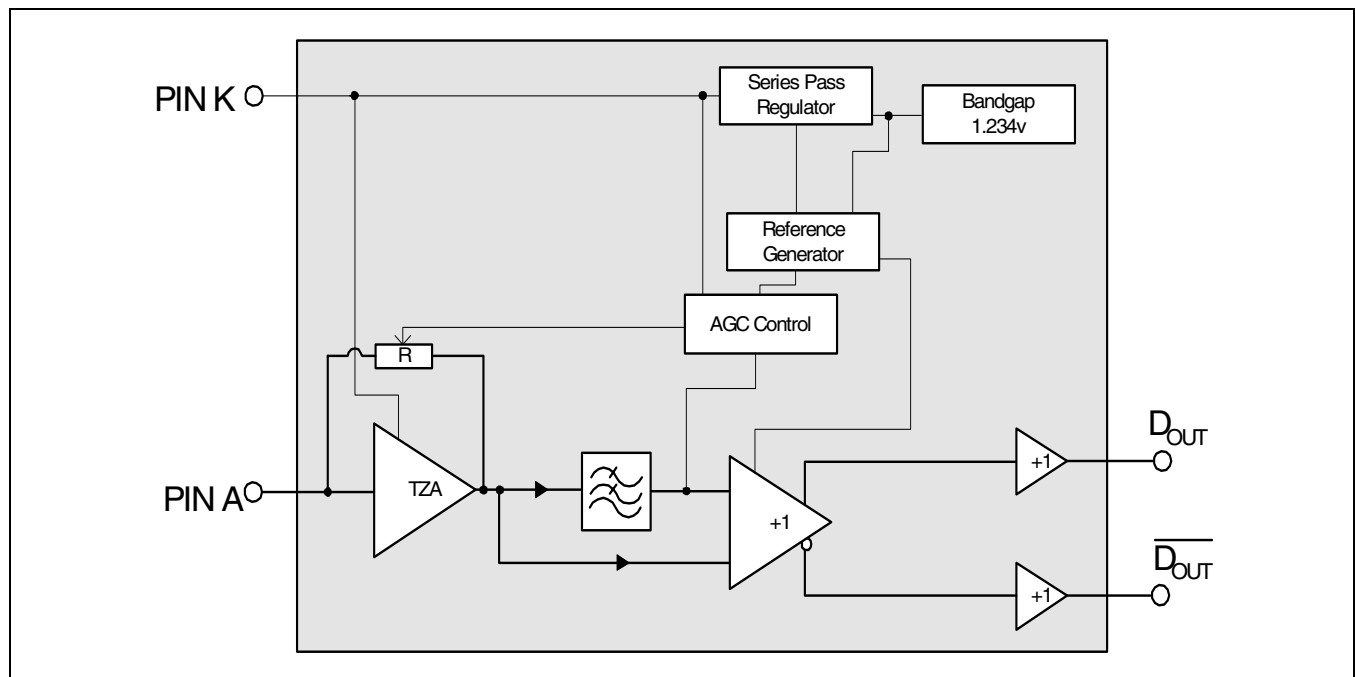
3.1 Overview

The MC2006 is a low-noise, transimpedance amplifier with AGC, manufactured in sub-micron CMOS. Its wide dynamic range, differential output and high PIN bias make it well suited for telecommunications, especially OC-3/STM-1. However, the MC2006 is intended to meet the needs of both Telecom and Datacom users.

The MC2006 is available only in die form. For optimum system performance, die should be mounted in close proximity with the photodetector.

The MC2006 is designed to be used with the MC2045 postamplifier IC. When combined with a photodiode, the chip set forms a high performance, low cost 5 V receiver.

Figure 3-1. Functional Block Diagram



3.2 TZA

The transimpedance amplifier consists of a high gain single-ended CMOS amplifier, with a feedback resistor. The feedback creates a virtual low impedance at the input and nearly all of the input current passes through the feedback resistor, defining the voltage at the output. Advanced CMOS design techniques are employed to maintain the stability of this stage across all input conditions.

Single-ended amplifiers have inherently poor power supply noise rejection. For this reason, an on-chip low dropout linear regulator has been incorporated into the design to give excellent noise rejection up to several MHz. Higher frequency power supply noise is removed by external decoupling.

The circuit is designed for PIN photodiodes in the grounded cathode configuration, with the anode connected to the input of the TZA and the cathode connected to AC ground. Reverse dc bias is applied via PINK to reduce the photodiode capacitance.

3.3 AGC

The MC2006 has been designed to operate over the input range of +3 dBm to -39 dBm at long wavelengths. This represents a ratio of 1:12500, whereas the acceptable dynamic range of the output is only 1:250 which implies a compression of 50:1 in the transimpedance.

The design uses a MOS transistor configured as a voltage controlled resistor to achieve transimpedance variation, which allows the device to maintain a relatively constant output amplitude over more than 30db of optical input power.

3.4 Output Stage

The signal from the TZA enters a phase splitter and a pair of voltage follower outputs. These are designed to drive a high impedance (>500 Ω) load. They are stable for driving capacitive loads, such as interstage filters.

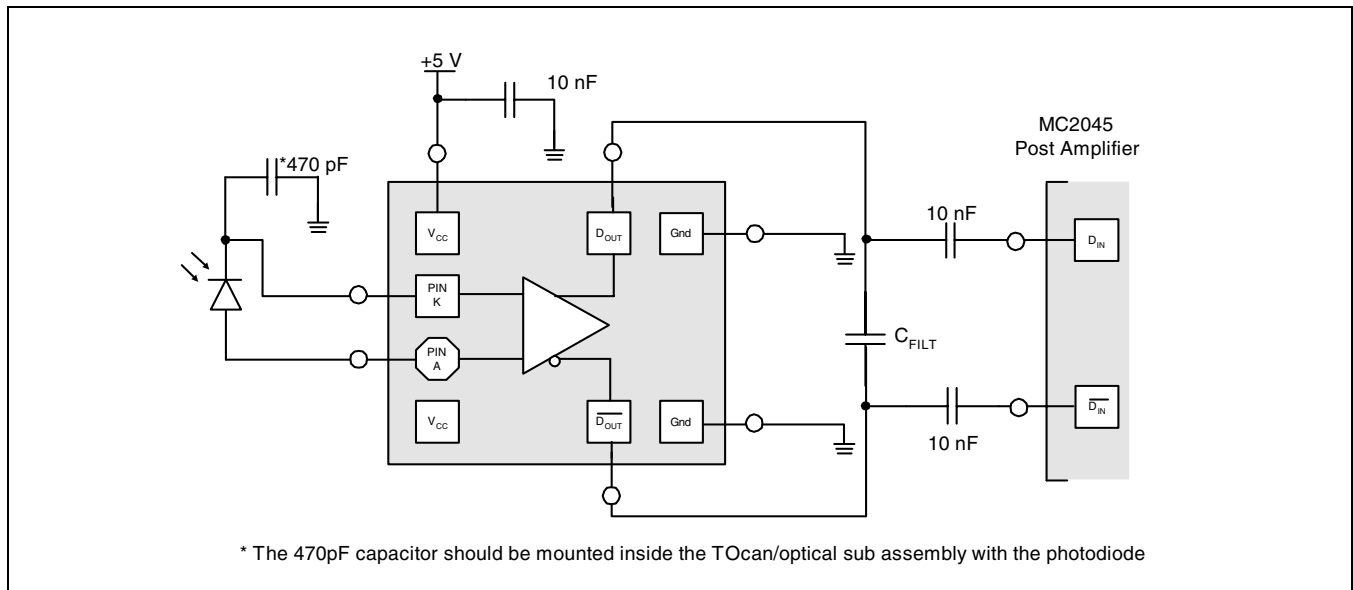


4.0 Applications

4.1 Filter Design

The achievable sensitivity of the MC2006 is dependant on the noise bandwidth of the amplifier, which varies with temperature and process. The bandwidth should therefore be limited by an interstage filter. This will typically employ a one pole filter, using a capacitor across the outputs. For maximum sensitivity, a filter with steeper roll-off and better transient response can be implemented with inductors and capacitors. If the module is intended to be used at several rates, interstage filtering should not be employed. A typical application circuit is shown in [Figure 4-1](#).

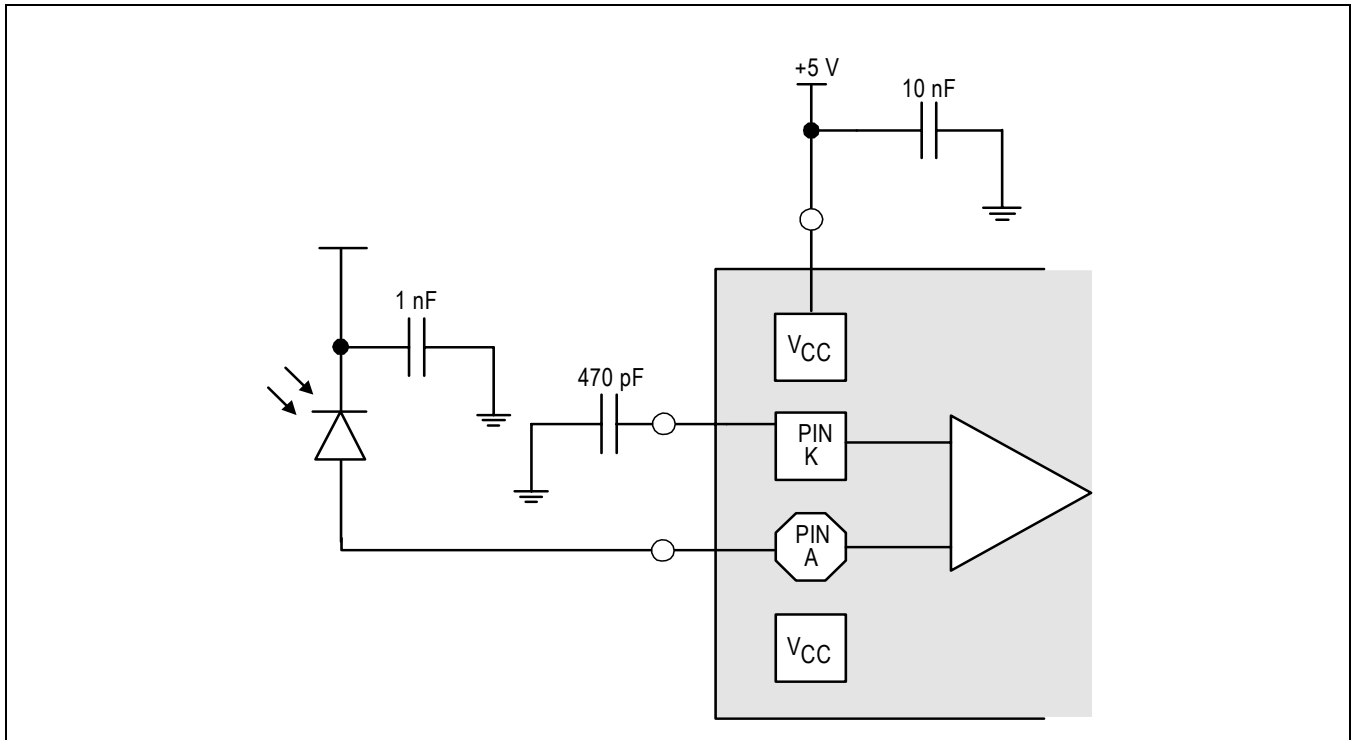
Figure 4-1. Typical Applications Circuit



4.2 Alternative Input Arrangement

An alternative arrangement can be used to connect the photodiode, with the photodiode cathode being connected directly to V_{CC} see Figure 4-2. This requires two decoupling capacitors, one connecting V_{CC} to ground and the other from PIN K to ground. This arrangement gives slightly more reverse bias on the photodiode, but will have worse low frequency noise performance.

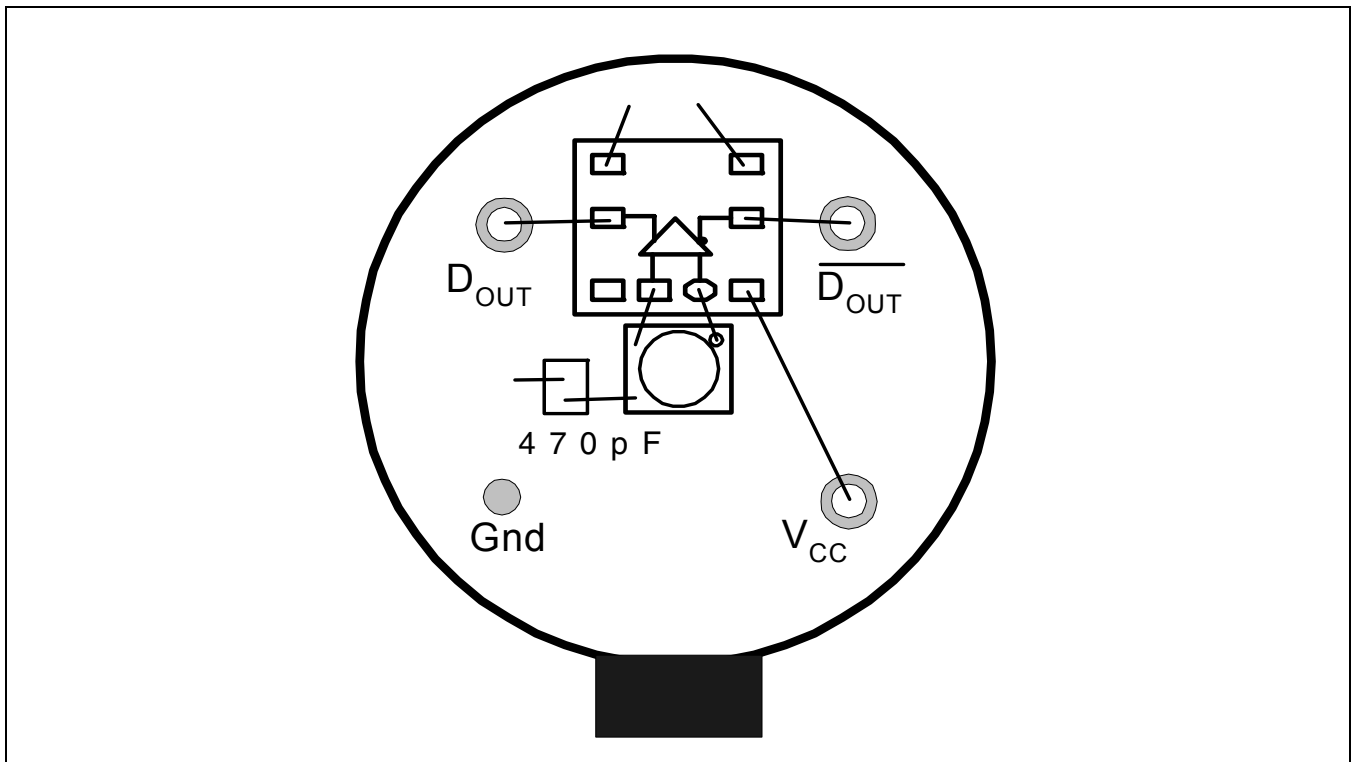
Figure 4-2. Alternative Application Arrangement



4.3 Layout Considerations

Use good high-frequency design and layout techniques, taking care to bypass V_{CC} over the frequencies to several hundred MHz. When using die, take care to minimise bond-wire length, especially for the PIN A and Gnd pads. A typical TO-can assembly is shown in [Figure 4-3](#).

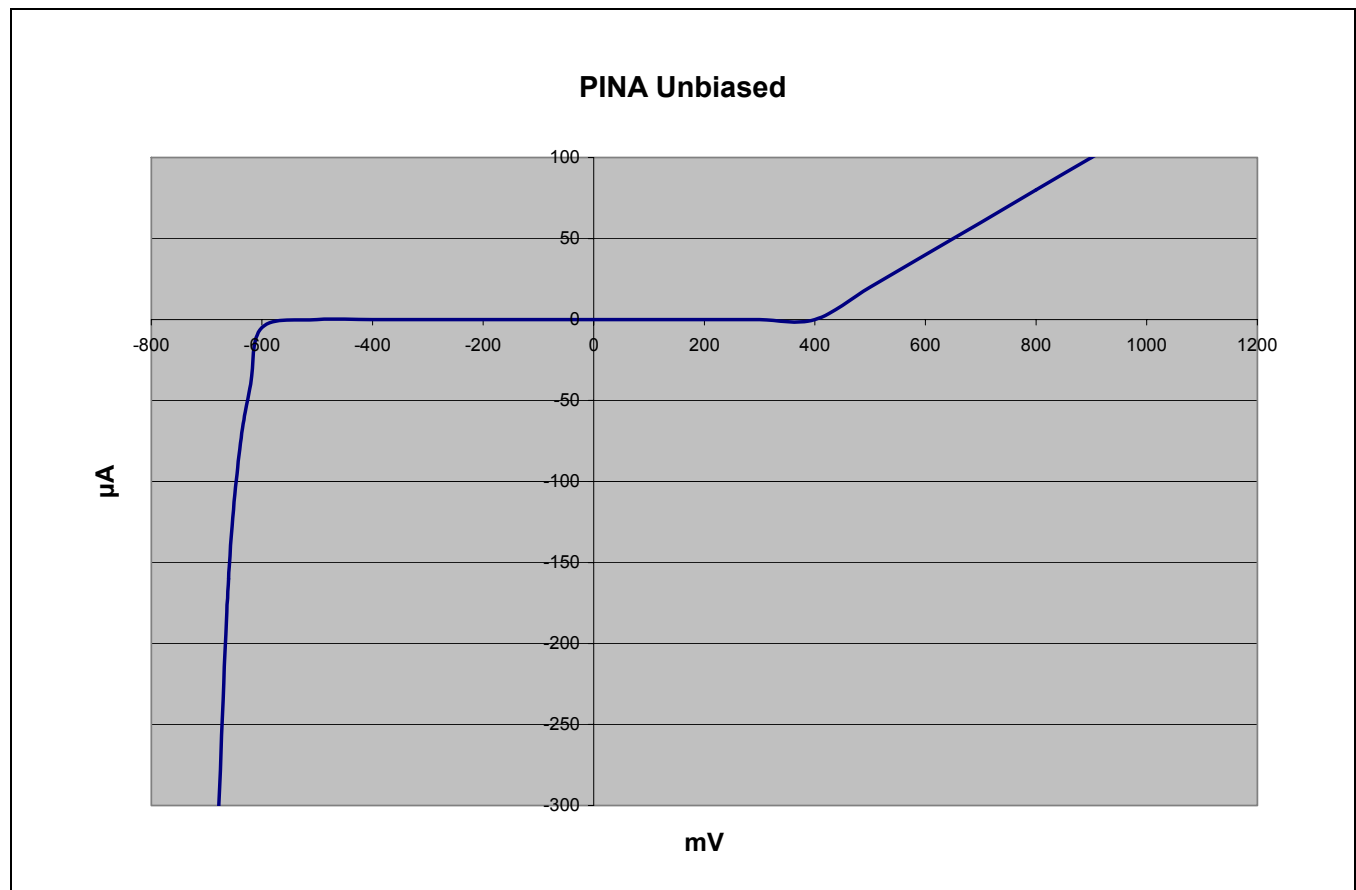
Figure 4-3. Typical TO-can Assembly



4.4 TIA Use with Externally Biased Detectors

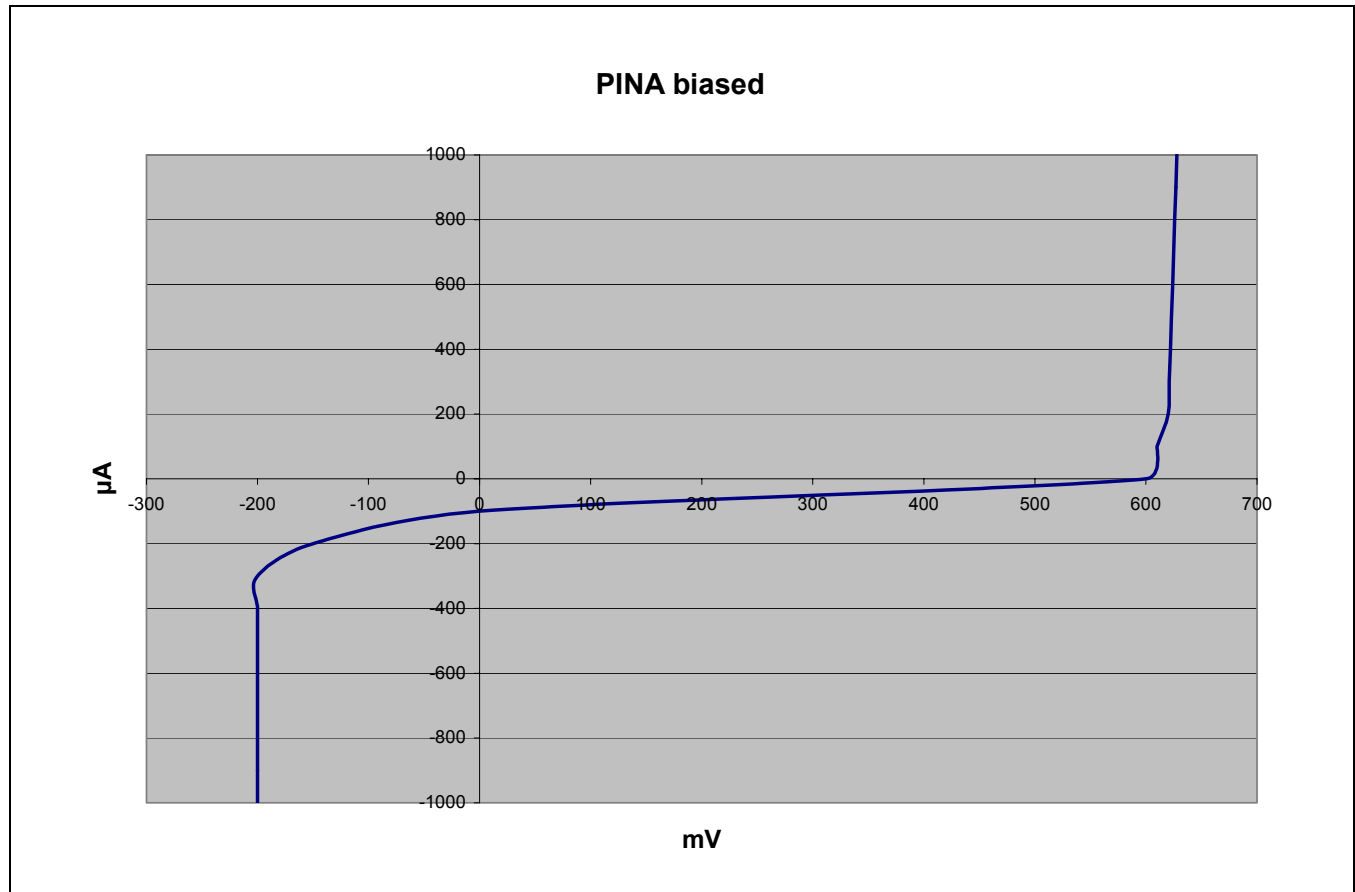
In some applications, Mindspeed TIAs are used with detectors biased at a voltage greater than available from TIA PIN cathode supply. This works well if some basic cautions are observed. When turned off, the input to the TIA exhibits the following I/V characteristic as shown in [Figure 4-4](#).

Figure 4-4. TIA Use with Externally Biased Detectors, Powered Off



In the positive direction after about 700 mV, the impedance of the input is relatively high. After the TIA is turned on, the DC servo and AGC circuits attempt to null any input currents (up to the absolute maximum stated in the device table) as shown by the I/V curve in [Figure 4-5](#).

Figure 4-5. TIA Use with Externally Biased Detectors, Powered On



It can be seen that any negative voltage below 200 mV is nulled and that any positive going voltage above the PINA standing voltage is nulled by the DC servo. The DC servo upper bandwidth varies from part to part, but is generally at least 10 kHz.

When externally biasing a detector such as an APD with a voltage in the 30-80V range, care should be taken to power up the TIA first and to keep the TIA powered up until after the power supply voltage on the APD is removed. Failure to do this with the TIA unpowered may result in damage to the input FET gate at PINA. In some cases the damage may be very subtle, in that nearly normal operation may be experienced with the damage causing slight reductions in bandwidth, and corresponding reductions in input sensitivity.

4.4.1 Treatment of PINK

PINK still requires bypassing to ground with a high quality 220-1000 pf (470 pf recommended) capacitor, even with no other connection to it. The capacitor stabilizes the internal voltage regulator of the TIA.



5.0 Packaging Specification

Figure 5-1. Bare Die Information

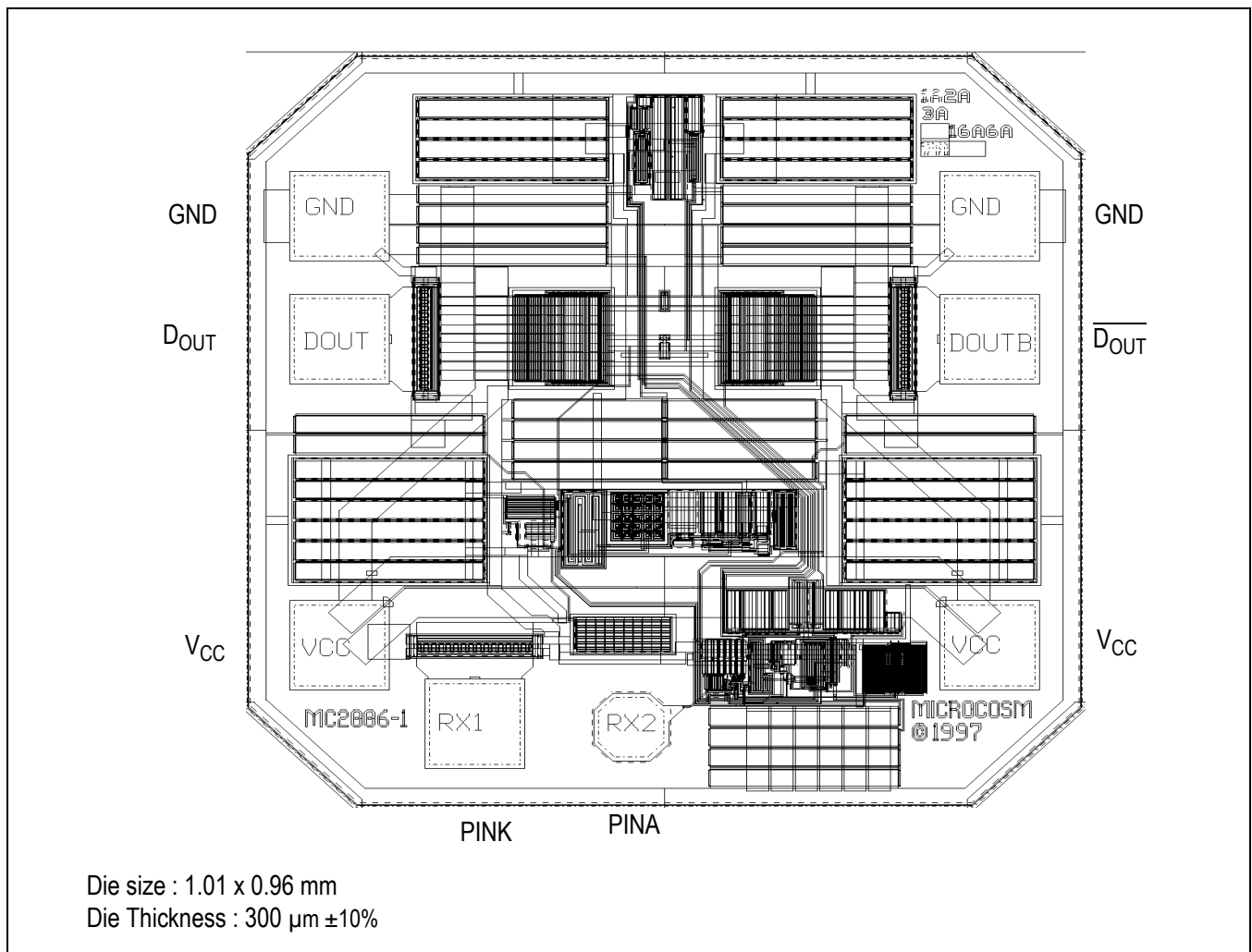
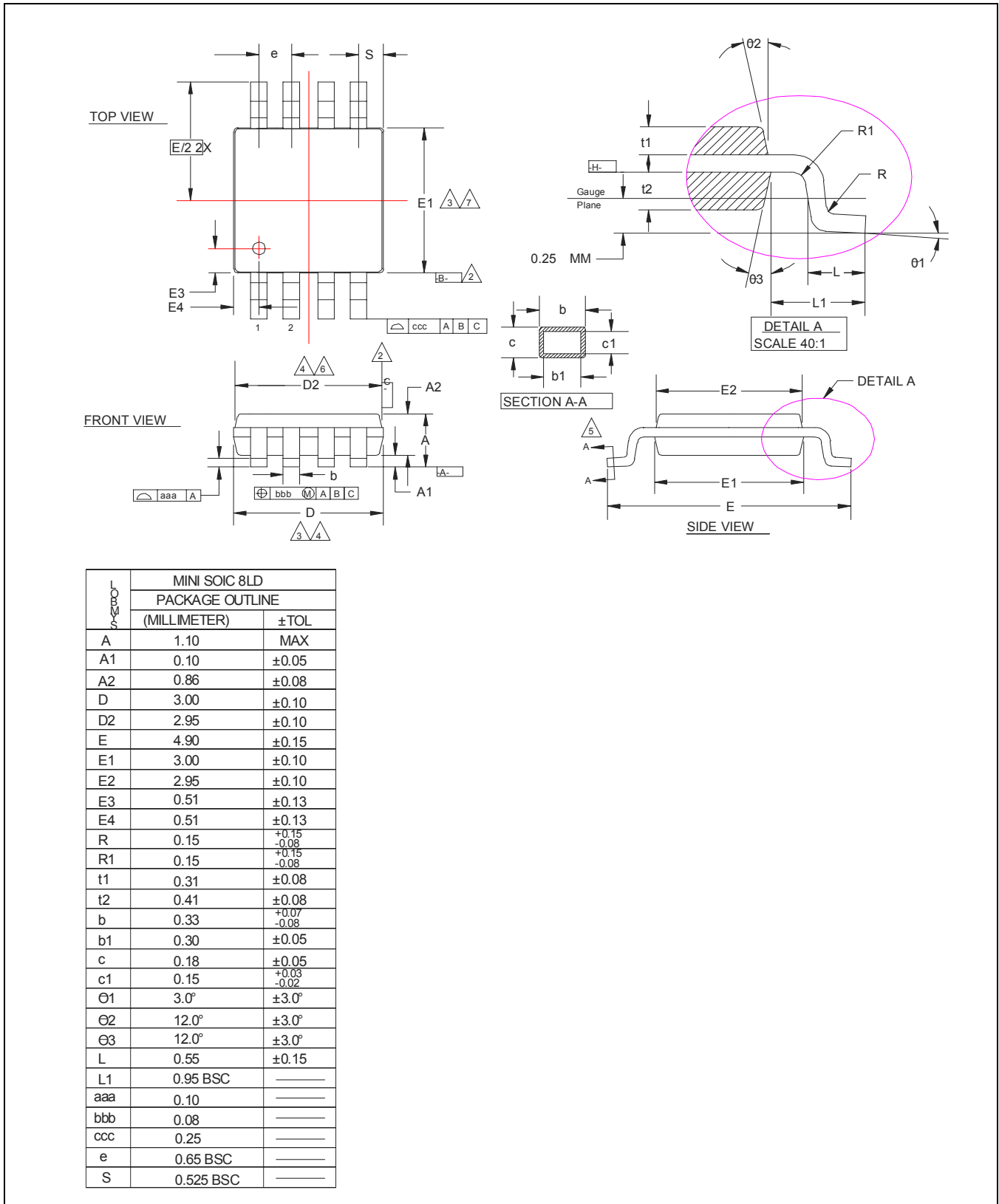


Table 5-1. Pad Coordinates

Pad No	Description	X (μm)	Y (μm)
1	GND	-347	255
2	D _{OUT}	-347	109
3	V _{CC}	-347	-255
4	PINK	-202.6	-348.45
5	PINA	-35.45	-352.3
6	V _{CC}	347	-255
7	D _{OUT}	347	109
8	GAN	347	255

Figure 5-2. Package Information



www.mindspeed.com

General Information:
Telephone: (949) 579-3000
Headquarters - Newport Beach
4000 MacArthur Blvd., East Tower
Newport Beach, CA 92660

© 2006 Mindspeed Technologies®, Inc. All rights reserved.

Information in this document is provided in connection with Mindspeed Technologies® ("Mindspeed®") products. These materials are provided by Mindspeed as a service to its customers and may be used for informational purposes only. Except as provided in Mindspeed's Terms and Conditions of Sale for such products or in any separate agreement related to this document, Mindspeed assumes no liability whatsoever. Mindspeed assumes no responsibility for errors or omissions in these materials. Mindspeed may make changes to specifications and product descriptions at any time, without notice. Mindspeed makes no commitment to update the information and shall have no responsibility whatsoever for conflicts or incompatibilities arising from future changes to its specifications and product descriptions. No license, express or implied, by estoppel or otherwise, to any intellectual property rights is granted by this document.

THESE MATERIALS ARE PROVIDED "AS IS" WITHOUT WARRANTY OF ANY KIND, EITHER EXPRESS OR IMPLIED, RELATING TO SALE AND/OR USE OF MINDSPEED PRODUCTS INCLUDING LIABILITY OR WARRANTIES RELATING TO FITNESS FOR A PARTICULAR PURPOSE, CONSEQUENTIAL OR INCIDENTAL DAMAGES, MERCHANTABILITY, OR INFRINGEMENT OF ANY PATENT, COPYRIGHT OR OTHER INTELLECTUAL PROPERTY RIGHT. MINDSPEED FURTHER DOES NOT WARRANT THE ACCURACY OR COMPLETENESS OF THE INFORMATION, TEXT, GRAPHICS OR OTHER ITEMS CONTAINED WITHIN THESE MATERIALS. MINDSPEED SHALL NOT BE LIABLE FOR ANY SPECIAL, INDIRECT, INCIDENTAL, OR CONSEQUENTIAL DAMAGES, INCLUDING WITHOUT LIMITATION, LOST REVENUES OR LOST PROFITS, WHICH MAY RESULT FROM THE USE OF THESE MATERIALS.

Mindspeed products are not intended for use in medical, lifesaving or life sustaining applications. Mindspeed customers using or selling Mindspeed products for use in such applications do so at their own risk and agree to fully indemnify Mindspeed for any damages resulting from such improper use or sale.