



## Precision Series K - 2 Watt 1/4" shaft diameter



Precision series K/RV4 potentiometers are suitable for both military and commercial applications. They can easily be customized to meet special requirements.

### FEATURES:

- hot molded carbon element
- gold-plated terminals
- stainless-steel shaft and housing
- quality meeting or exceeding MIL-R-94 - QPL listed

### OPTIONS:

- custom shafts and bushings
- special tapers
- fourth (center) terminal
- high life
- attached switch

### ELECTRICAL SPECIFICATIONS:

- Resistance range, linear taper:** 50  $\Omega$  to 5 Meg  $\Omega$
- Resistance range, logarithmic taper:** 150  $\Omega$  to 1 Meg  $\Omega$
- Resistance tolerance:**  $\pm 10\%$  or  $\pm 20\%$
- Resistance taper:** linear, logarithmic, reverse logarithmic;  
other tapers by special order
- Power rating:** 2 watts at 70°C derated to 0 watts at 120°C
- Insulation resistance:**
- dry:** 10K Meg  $\Omega$
- wet:** 100K Meg  $\Omega$
- Dielectric strength:** 900 V RMS at sea level
- Operating voltage:** 500 V, subject to power rating

### MECHANICAL SPECIFICATIONS:

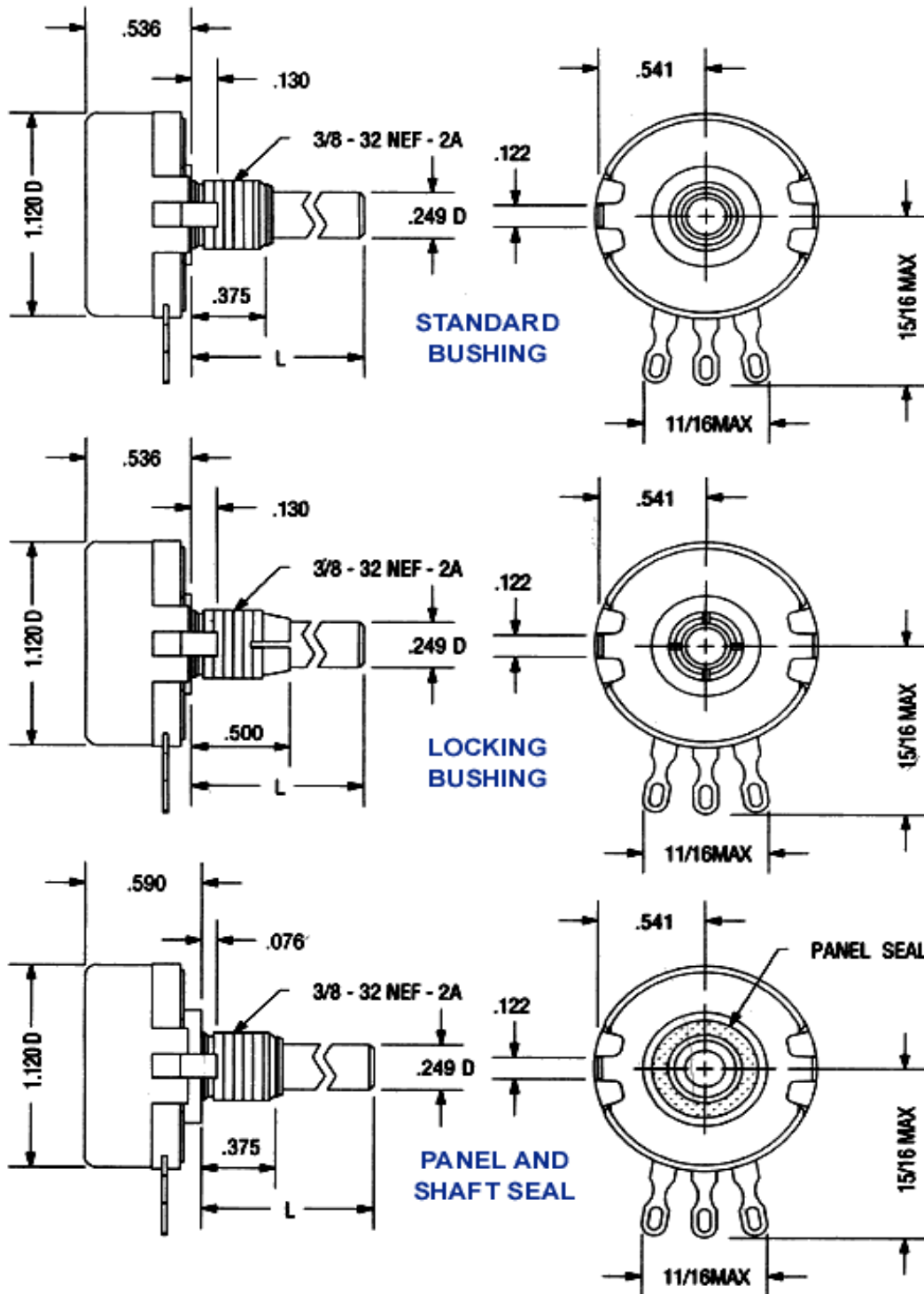
- Mechanical rotation:** 314°
- Operating torque:** 1 oz/in to 6 oz/in
- Rotational life:** 25,000 cycles

### ENVIRONMENTAL SPECIFICATIONS:

- Operating temperature:** - 65°C to +125°C
- Resistance to soldering heat:** 350°C for 5 seconds
- Humidity range:** per MIL-R-94
- Vibration range:** per MIL-R-94
- Shock resistance:** per MIL-R-94
- Load life:** 1000 hours at 70°C



**DRAWING:**





**ORDERING INFORMATION:**

Ordering Information - Commercial Part Numbers							
Series	Bushing	Switch	Taper	Resistance Value	Tolerance	Shaft Style	Shaft Length
K = series K	Blank = standard  L = locking  W = panel & shaft steel	Blank = without switch  S = SPST switch	U = linear  A = logarithmic B = reverse logarithmic	Total resistance value in $\Omega$ : first 2 digits significant, third digit = number of zeroes	1 = 10% of nominal  2 = 20% of nominal	R = round S = slotted F = flatted	16 = 1/2" 20 = 5/8" 24 = 3/4" 28 = 7/8" 32 = 1" 40 = 1 1/4" 48 = 1 1/2" 64 = 2" 80 = 2 1/2" 96 = 3"
<b>Example: KSU1031R16</b> <b>note:</b> not all part number combinations are valid							

Ordering Information - Military Part Numbers							
Style	Bushing	Switch	Temperature & Moisture Characteristics	Shaft Style	Shaft Length	Resistance Value	Taper & Tolerance
RV4 = MIL style RV4	N = standard L = locking S = panel & shaft steel	A = without switch B = SPST switch	Y = as per MIL-R-94	S = slotted F = flatted	B = 1/2" A = 5/8" D = 7/8" G = 1 1/4" J = 2" K = 2 1/2"	Total resistance value in $\Omega$ : first 2 digits significant, third digit = number of zeroes	A = linear 10% B = linear 20% C = logarithmic 10% D = logarithmic 20% E = reverse logarithmic 10% F = reverse logarithmic 20%
<b>Example: RV4NAYSB000A</b> <b>note:</b> not all part number combinations are valid							

Type K Cross Reference				
Precision	Military	Clarostat	Allen Bradley	Ohmite
KU S28	RV4NAYSD A	380C3 / 53C3	JA1N056S UA	CMU
KLU S20	RV4LAYS A	280C2 / 53C2	JA1L040S UC	CLU
KU S16	RV4NAYSB A	N/A	JA1N032S UA	N/A
KU S64	RV4NAYSJ A	N/A	JA1N200S UA	CU
KU R64	N/A	380C1 / 53C1	JA1N200P UA	N/A
KU S80	RV4NAYSK A	N/A	JA1N232S UA	N/A
KA R64	N/A	53C1Z	JA1N200P AA	N/A
KLU S28	RV4LAYS D A	N/A	JA1L056S UA	N/A