



3 GHz N LATCHING S.P.7 T. SWITCH

OPTIONS :

R F CHARACTERISTICS

NUMBER OF WAYS : 7
FREQUENCY RANGE : 0 - 3 GHz
IMPEDANCE : 50 Ohms

| | | |
|-----------------|----|---------|
| FREQUENCY (GHz) | | 0 - 3 |
| V.S.W.R | <= | 1.20 |
| INSERT. LOSS | <= | 0.20 dB |
| ISOLATION | >= | 80 dB |
| AVER. POWER (*) | | 400 W |

ELECTRICAL CHARACTERISTICS

ACTUATOR : LATCHING
NOMINAL CURRENT AT 25° C (+10%) : 125 mA / RESET : 875 mA (**)
ACTUATOR VOLTAGE (Vcc) : 28V (24 to 30V) / NEGATIVE COMMON
TERMINALS : solder pins (250 deg.C max./30 sec.)

MECHANICAL CHARACTERISTICS

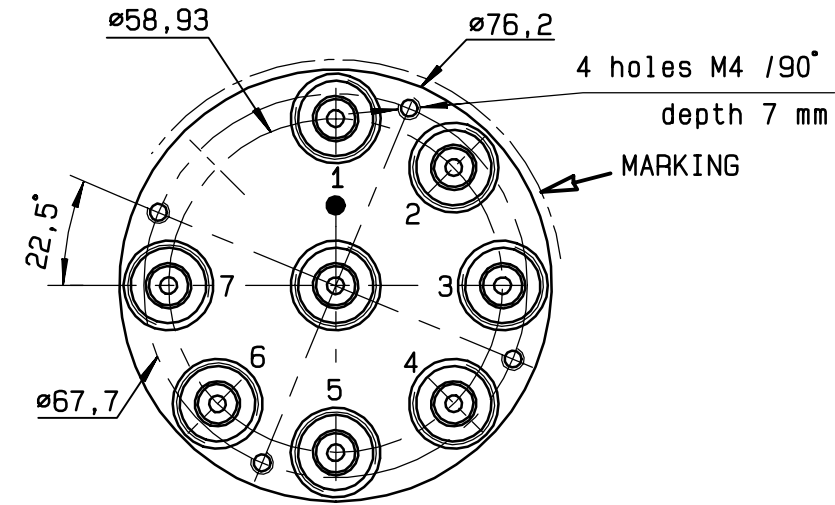
CONNECTORS : N female per MIL-C 39012
LIFE : 2.000.000 cycles per position
SWITCHING TIME (nominal voltage;25° C) : < 15 ms
CONSTRUCTION : splashproof
WEIGHT : < 680 g

ENVIRONMENTAL CHARACTERISTICS

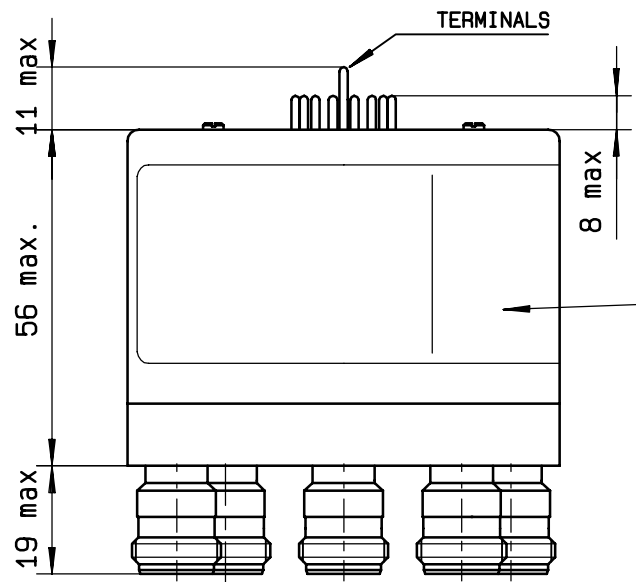
OPERATING TEMPERATURE RANGE (°C) : -40 , +85
STORAGE TEMPERATURE RANGE (°C) : -55 , +85

(* : average power at 25° C per RF path)
(** RESET : supply voltage time 1sec. max./duty cycle 10%)

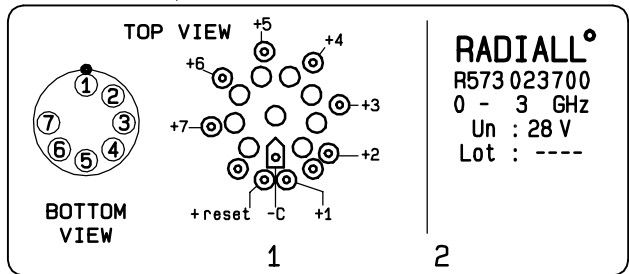
4112-9212 This information is given as an indication. In the continual goal to improve our products, we reserve the right to make any modifications judged necessary



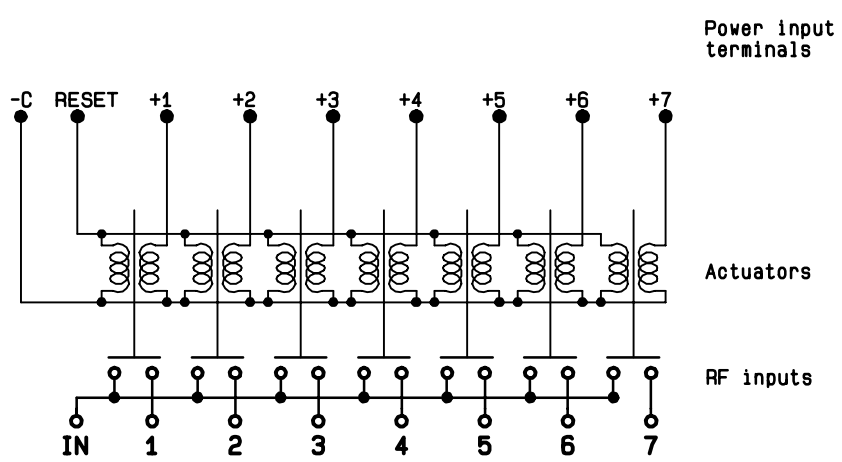
| Voltage | RF continuity |
|-----------|----------------|
| -C +RESET | All ports open |
| -C +1 | IN ↔ 1 |
| -C +2 | IN ↔ 2 |
| -C +3 | IN ↔ 3 |
| -C +4 | IN ↔ 4 |
| -C +5 | IN ↔ 5 |
| -C +6 | IN ↔ 6 |
| -C +7 | IN ↔ 7 |



MARKING TOP VIEW (TERMINALS)



SCHEMATIC DIAGRAM



This information is given as an indication. In the continual goal to improve our products, we reserve the right to make any modifications judged necessary

4113-9212