

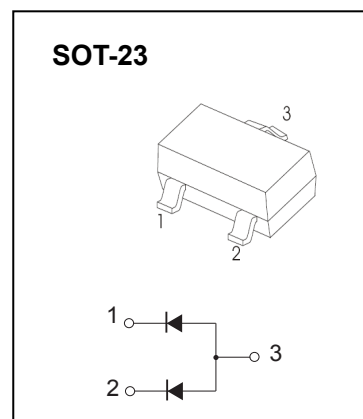
SOT-23 Plastic-Encapsulate Diodes

MC2836 SWITCHING DIODE

FEATURES

- High speed switching
- Low capacitance

MARKING:A41



Maximum Ratings @Ta=25°C

Parameter	Symbol	Limit	Unit
Non-Repetitive Peak Reverse Voltage	V_{RM}	75	V
DC Blocking Voltage	V_R	50	V
Average Rectified Output Current	I_O	150	mA
Power Dissipation	P_D	150	mW
Thermal resistance junction to ambient	$R_{\theta JA}$	833	°C/W
Junction Temperature	T_J	150	°C
Storage Temperature Range	T_{STG}	-55~+150	°C

Electrical Characteristics @Ta=25°C

Parameter	Symbol	Conditions	Min	Typ	Max	Unit
Forward voltage	V_{F1}	$I_F=10mA$			1.0	V
	V_{F2}	$I_F=50mA$			1.1	V
	V_{F3}	$I_F=100mA$			1.2	V
Reverse current	I_R	$V_R=50V$			0.1	uA
Reverse recovery time	t_{rr}	$I_F=10mA, V_R=6V, R_L=100\Omega$ $I_{rr}=0.1 \cdot I_R$			4	ns
Capacitance between terminals	C_T	$V_R=0, f=1MHz$			4	pF



Typical Characteristics

MC2836

