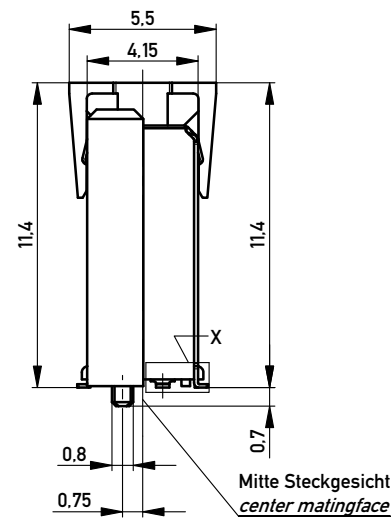
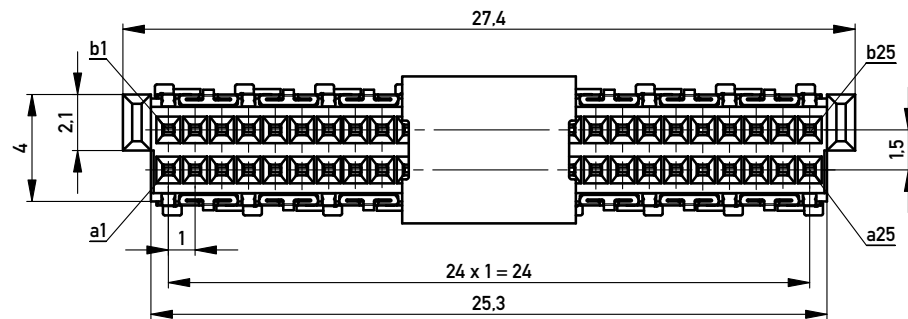
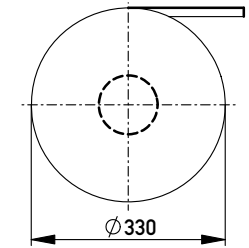


Montagehaube
hood

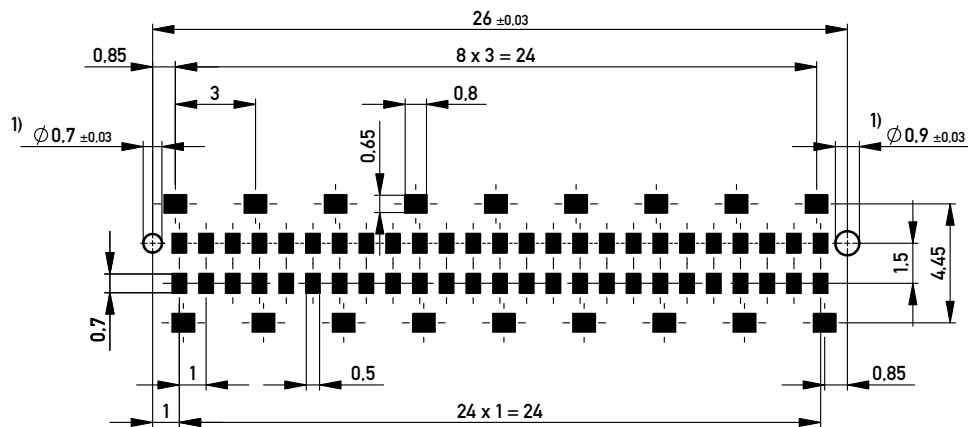


Mitte Steckgesicht
center matingface

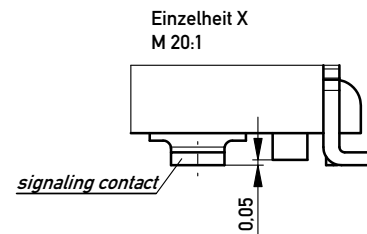
Verpackt in Gurtverpackung
Tape on Reel Packaging
Verpackungseinheit: 260 Stück
Packaging unit: 260 pcs



Leiterplatten-Layout Vorschlag / PCB-layout proposal



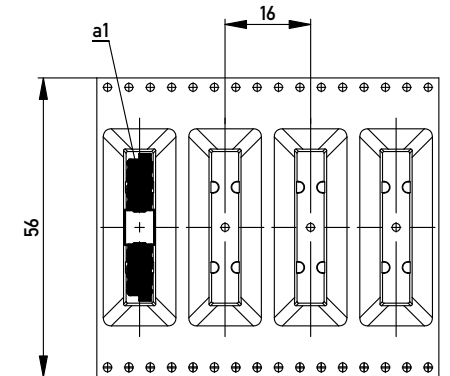
1) Durchmesser des Bohrers / Drill tool



Einzelheit X
M 20:1

signaling contact

Abspulrichtung - Reel off Direction



Anforderungsstufe 1
Performance Level 1

Kontaktbereich vergoldet
Mating Area gold plating

Anschlussbereich verzinkt 4-6 µm
Terminal Area 4-6 µm tin plating

Koplanarität der Anschlüsse ≤ 0.1 mm
Coplanarity Area of Termination ≤ 0.1 mm

Information:	Tolerances	 All Dimensions in mm	Scale	5:1
	All rights reserved. Only for Information. To ensure that this is the latest version of this drawing, please contact one of the ERNI companies before using.		Subject to modification without prior notice. Drawing will not be updated.	Designation F10 MSpeed BlindMate 50 SMD
c Index	25.04.2013 Date	 www.ERNI.com	354180	
Class			MSPEED	I A3

Copyright by ERNI GmbH
Proprietary notice pursuant to ISO 9006 to be observed.