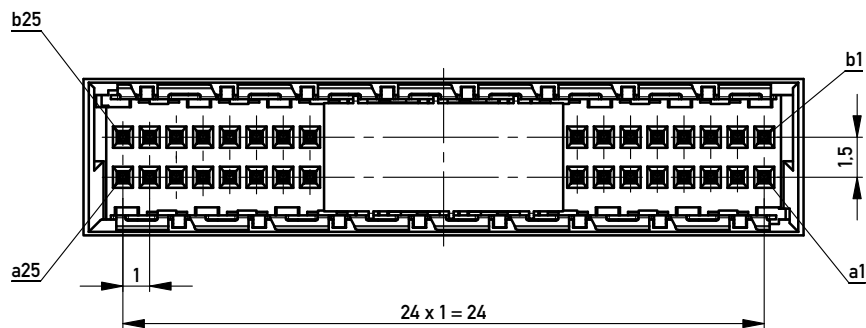
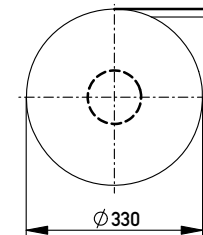
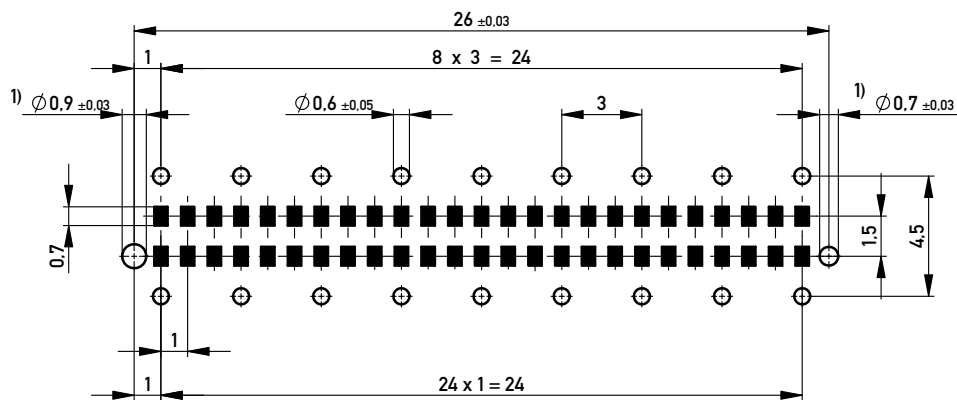


Verpackt im Gurt nach DIN IEC 60286-3  
 Tape on Reel Packaging according to DIN IEC 60286-3  
 Verpackungseinheit: 400 Stück  
 Packaging unit: 400 pcs

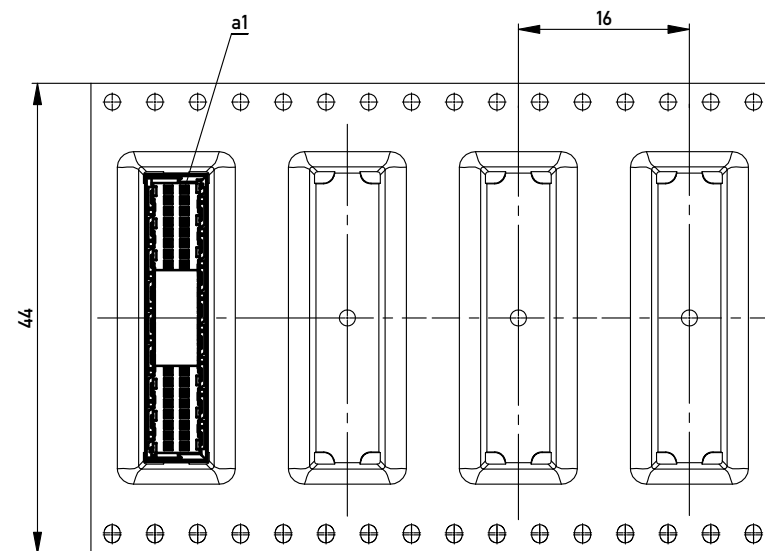


Leiterplatten-Layout Vorschlag / PCB-Layout proposal



1) Durchmesser des Bohrers / drill tool

Abspulrichtung - Reel off Direction



Anforderungsstufe 1  
 Performance Level 1

Kontaktbereich vergoldet  
 Mating Area gold plating

Anschlussbereich verzinkt 4-6 µm  
 Terminal Area 4-6 µm tin plating

Koplanarität der Anschlüsse ≤ 0.1 mm  
 Coplanarity Area of Termination ≤ 0.1 mm

Information:  All rights reserved. Only for Information. To ensure that this is the latest version of this drawing, please contact one of the ERNI companies before using.	Tolerances All Dimensions in mm	Scale	5:1
		Designation <b>Messerleiste 1mm THR, 50 polig</b> <b>Male 1mm THR, 50 contacts</b>	
n Index	28.01.2014 Date	www.ERNI.com	<b>144681</b> Class MSPEED

Copyright by ERNI GmbH  
 Proprietary notice pursuant to ISO 9006 to be observed.