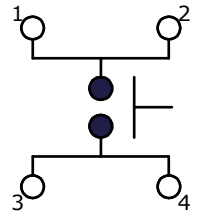
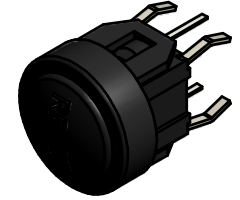
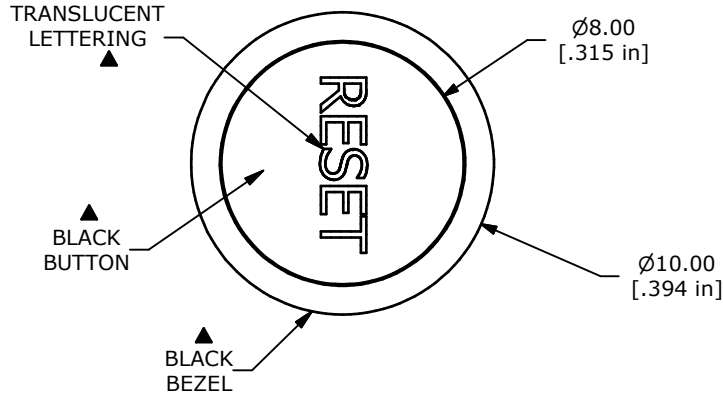
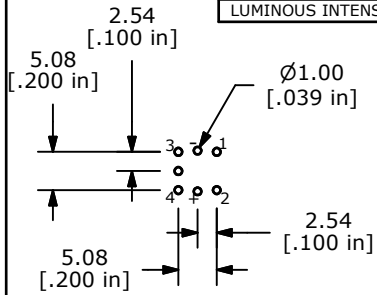
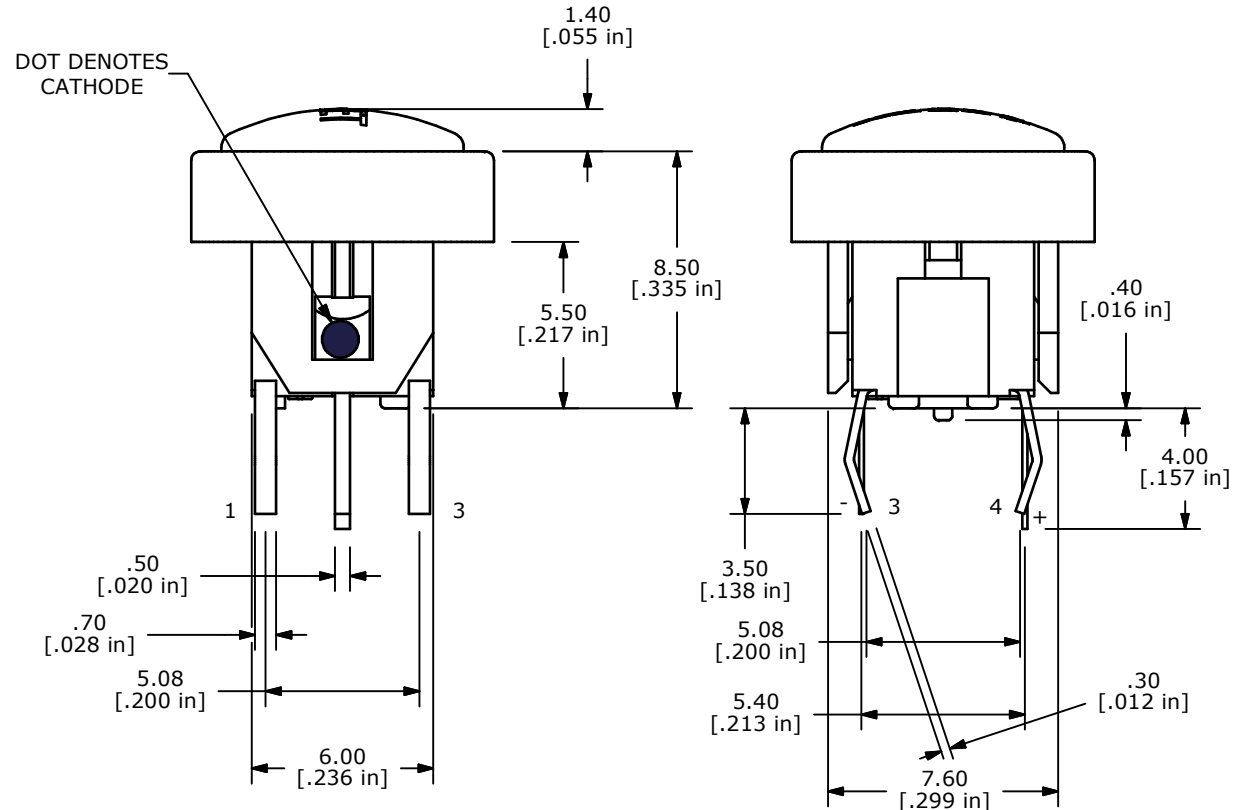


LED SPECS	UNITS	RED ▲
FORWARD CURRENT	mA	20
FORWARD VOLTAGE @20mA	V	1.95-2.5
LUMINOUS INTENSITY @ 20mA	mcd	3000



CIRCUIT: SPST ▲

- NOTES:
1. ALL DIMENSIONS IN MM [INCH]
  2. GENERAL TOLERANCE: X.X=±0.4  
X.XX=±0.25
  3. RATING: 12VDC @ 50mA
  4. CONTACT RESISTANCE: 100mΩ MAX.
  5. INSULATION RESISTANCE: 100MΩ MIN.
  - ▲ 6. OPERATING FORCE: 180± 50gf
  7. TRAVEL: 0.2± 0.1mm
  8. OPERATING TEMPERATURE: -20°C TO 70°C
  9. OPERATING LIFE: 500,000 CYCLES
  - ▲ 10. LED: RED
  11. ▲ DENOTES CRITICAL PARAMETERS
  12. 2002/95/EC (ROHS) COMPLIANT
  13. PARTS TO BE PACKAGED 100 PARTS PER TRAY.



A	18423	New Release	2/25/09	rc
REV	PCR NO	DESCRIPTION	DATE	BY

TITLE TL1220R2BBBR-RESET				
SCALE	DATE	DR	DWG	REV
4	1/27/2009	rc	B260001	A

THE INFORMATION CONTAINED IN THIS DOCUMENT IS PROPRIETARY TO E-SWITCH AND IS NOT TO BE COPIED OR TRANSFERRED