

ADSL LINE TRANSFORMER THROUGH HOLE MAGNETICS

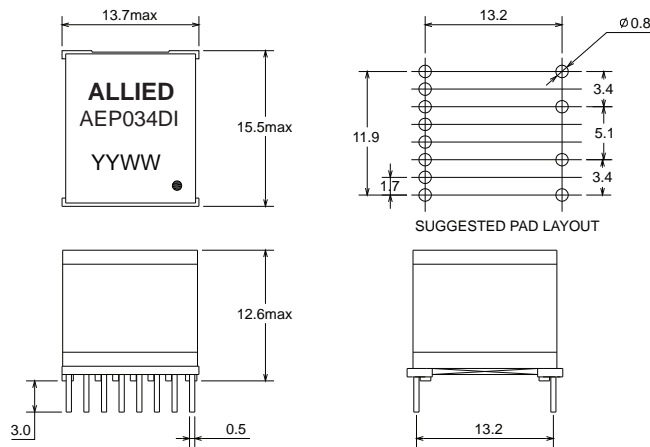
- EN60950 Basic Insulation compliant 250Vrms
- Through Hole compact foot print design
- Industrial operating temp: -40°C to +85°C

Electrical Specifications @25°C

| Part Number | Turns Ratio (10KHz,0.1V) | | OCL (10KHz,0.1V) | LL (100KHz,0.1V) | Cww (100KHz,0.1V) | |
|-------------|-------------------------------|-------------------------------|---------------------|-----------------------------------|------------------------------------|---------------------------|
| AEP034DI | 16-9:1-4 (short 11-14,2-3) | 16-9:5-8 (short 11-14,6-7) | 16-9(short 11-14) | 16-9(short11-14,1-2-3-4-5-6-7-8) | 1-16(short 1-2-3-4-5-6-7-8,11-14) | |
| | 1:1 ±2% | 4.29:1 ±2% | 400uH ±5% | 15uH max | 35pF max | |
| | Continue | | | | | |
| | DCR | | | THD (20KHz,5.3Vrms) | LB (35KHz~650KHz) | Hi-Pot VAC (1mA/2s) |
| | 16-9 (short 11-14) | 1-4 (short 2-3) | 5-8 (short 6-7) | -80dB max | 55dB min | 3000 |
| | 1.0Ω max | 2.2Ω max | 0.7Ω max | | | |

All specifications subject to change without notice.

MECHANICAL



Units:mm
Unless otherwise specified all tolerances are: ±0.25 in mm

SCHEMATICS

