

930 Series Miniature Bayonet Lampholders

Overview

The 930 Series relampable miniature bayonet lampholders accommodate T-3 1/4 and T-2 incandescent lamps and T-3 1/4 neon lamps. This robust lampholder assembly may be ordered with many decorative lens styles, plating options and unique termination and mounting features.

Approvals

UL Listed and CSA Certified. For MIL Spec Lampholders, contact the factory.

Specification

Housing: Brass. Black nickel, bright nickel, polished chrome, or satin chrome finishes.

Body: High dielectric phenolic.

Lockwasher: Phosphor bronze. Nickel-plated.

Hex Nut: Brass. Nickel-plated.

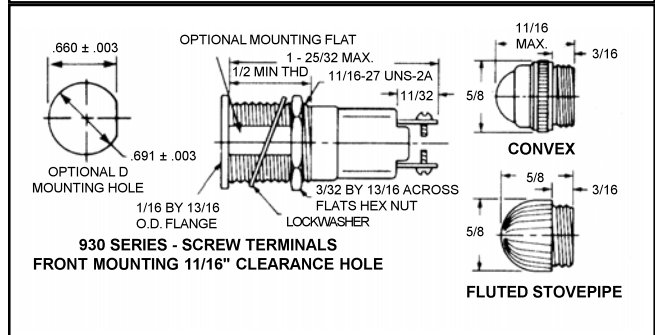
Terminals: Solder Lug: Brass, tin-plated. Screw Type: 4-40 brass, nickel-plated binding head screws.

Wire Leads: 6" leads, #22 AWG, black & white, stranded copper, PVC insulated, UL/CSA rated 105°C, stripped 1/2". Custom wire options are also available.

Lens: Heat resistant, high strength polycarbonate.

Retainer: Brass. Black nickel, bright nickel, polished chrome or satin chrome finishes available.

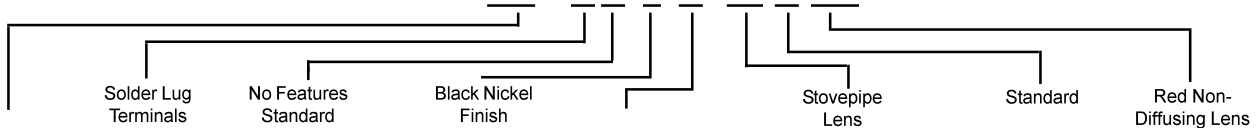
930 Series Maximum Rating: 3 Watts, 250 Volts.



ORDERING INFORMATION:

Lampholders and lens caps may be ordered separately or as complete assemblies as shown in the example below:

EXAMPLE: 9 3 0 4 0 4 X 71 0 RN



Series Number	Lampholders				Lens Cap Assembly		
	Termination	Features	Finish	Resistor	Lens Style	Retainer	Lens Color
930	4 Solder Lug	0 None Standard	4 Black Nickel	X None (No resistor required with incandescent lamps)	72 Flat ³	4 Black Nickel	Nondiffusing
					82 Flat ⁴		AN Amber
5 Screw Type	1 D Hole Mounting	6 Satin Chrome (Special Orders Only)	5 Bright Nickel	R 27K OHM	86 Flat Drip Proof ³	5 Bright Nickel	BN Blue ⁶
					87 Flat Drip Proof ⁴		CN Colorless
W Wire Leads	2 ¹ Drip Proof	7 Polished Chrome	6 Satin Chrome (Special Orders Only)	S 33K OHM	88 Convex ⁴	6 Satin Chrome (special)	GN Green ⁶
					89 Convex Drip Proof ⁴		RN Red
	3 ¹ D Hole Mounting & Drip Proof	7 Polished Chrome	7 Polished Chrome	F 68K OHM	No Retainer Required		WN White
				E 100K OHM	71 Stovepipe ³	0 Standard	Translucent⁶
					73 Cylindrical ³		
					74 Fluted Stovepipe ⁵	8 Dripproof	BT Blue
					75 Semi-Fluted Stovepipe ⁵		
							RT Red
							WT White
							YT Yellow
							Diffusing⁶
							AD Amber
							BD Blue
							CD Colorless
							GD Green
							RD Red
							YD Yellow

¹ These styles supplied with rubber washers for body and lens.
² For proper resistor/neon lamp compatibility, table on back page.
³ Nondiffusing & translucent colors only.
⁴ Diffusing Colors only.
⁵ Nondiffusing colors only.
⁶ Not recommended for neon lamps.