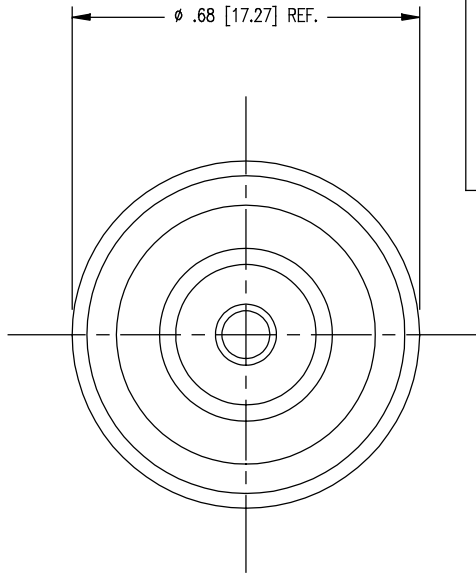
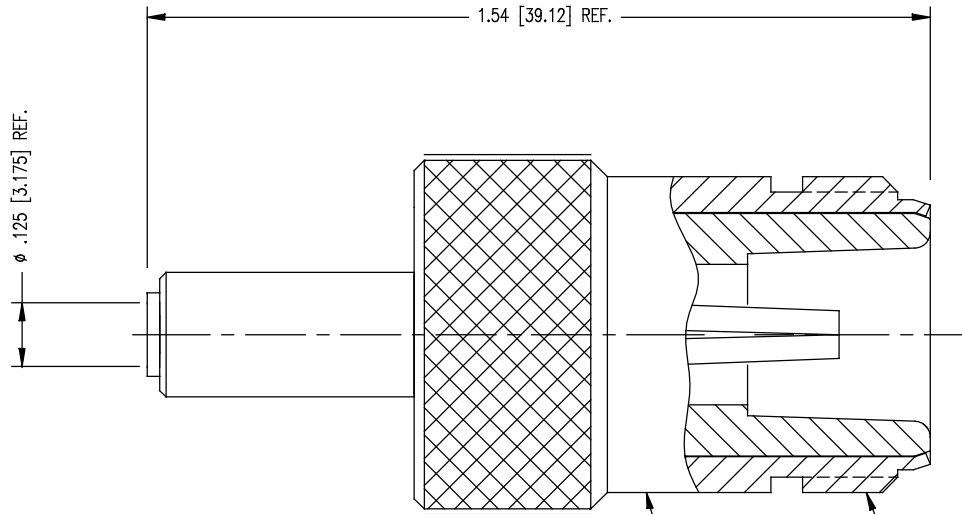


DASH NO.	M CODE	MADE FROM
----------	--------	-----------



GSD

1203-30-9

REVISIONS	
ISSUE	CHANGES
0	ER 39958 DRK 06/07/07
1	CN 39971 A DRK 06/18/07

NOTES:

- FOR USE WITH BELDEN RF 100 CABLE.
- FOR CABLING INSTRUCTIONS SEE 3-801.
- FOR CRIMPING USE DIE KTH-2042.
- INTERFACE PER MIL-STD-348, FIG. 304-2.
- CRIMPING SLEEVE, INSERT AND CENTER CONTACT TO BE SUPPLIED UNASSEMBLED.
- MATERIALS:
INSULATOR: TEFLON ASTM-D4894.
ALL OTHER METAL PARTS: BRASS ASTM-B16.
- FINISHES:
CENTER CONTACT: GOLD PLATE ASTM-B488.
OUTER CONTACT: SILVER PLATE ASTM-B700.
ALL OTHER METAL PARTS: NICKEL (TR-5).
- ELECTRICAL CHARACTERISTICS:
NOMINAL IMPEDANCE: 50 OHMS.
WORKING VOLTAGE: 1000 VRMS.
FREQUENCY RANGE: DC TO 11 GHZ.
- DIMENSIONS IN INCHES [MM].

STAMP: KINGS 1203-30-9
YRWK(DATE CODE)

5/8-24UNEF-2A THREAD

SCALE	4:1		
APPROX SURFACE AREA			
USED ON			
REF:	EQR 933		
JACK, N			
DRAWN	DRK	DATE	06/07/07
DESIGN	DRK	DATE	06/07/07
APPR.		DATE	

UNLESS OTHERWISE SPECIFIED

- TOLERANCES: FRACTIONS & 2 PLACE DECIMALS ± .010
3 PLACE DECIMALS ± .004 ANGLES ± 1°
CONCENTRICITY OF ANY 2 DIAMETERS MAY NOT EXCEED HALF THE SUM OF THEIR TOLERANCES.

- REMOVE ALL BURRS, BREAK SHARP EDGES .005 MAX.
- NO FILLETS PERMITTED.
- SURFACE ROUGHNESS 63 MICROINCHES RMS MAX.
- ALL DIMENSIONS PRIOR TO PLATING.
- ALL PLATING IN ACCORDANCE WITH KER 10004.

- ALL LEAD THREADS TO BE CHAMFERED 45° TO ROOT DIAMETER.
- ★ CRITICAL DIMENSIONS

GSD

KINGS
A Winchester Electronics Company

1203-30-9