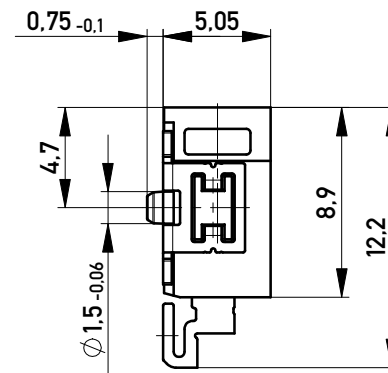
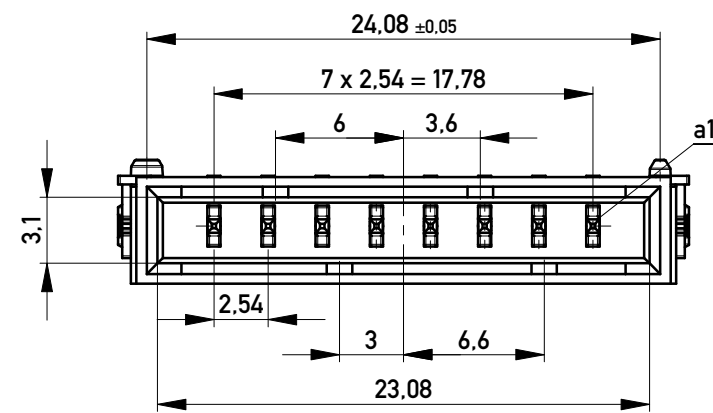
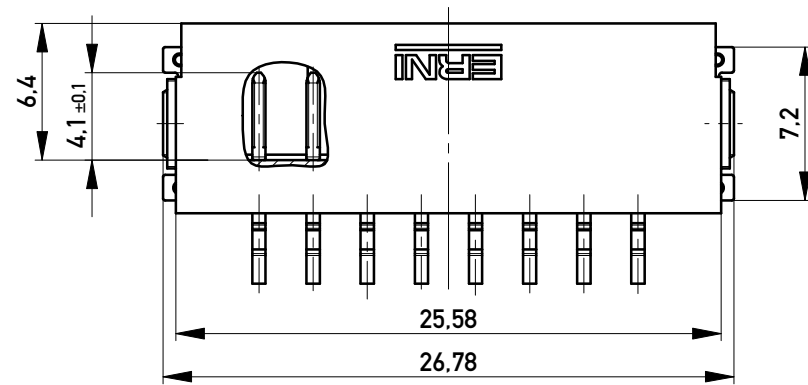
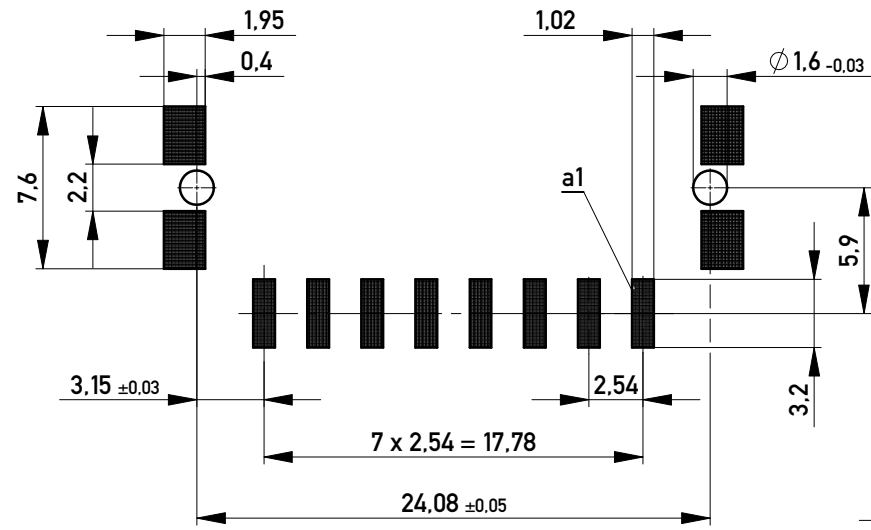


Leiterplatten-Layout Vorschlag für SMT
PCB-Layout Proposal for SMT



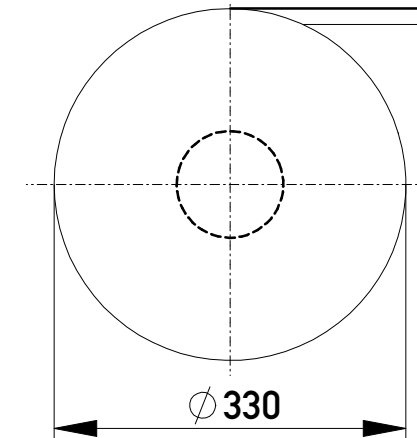
Anforderungsstufe 1
Performance Level 1

Kontaktbereich vergoldet
Mating Area gold plating

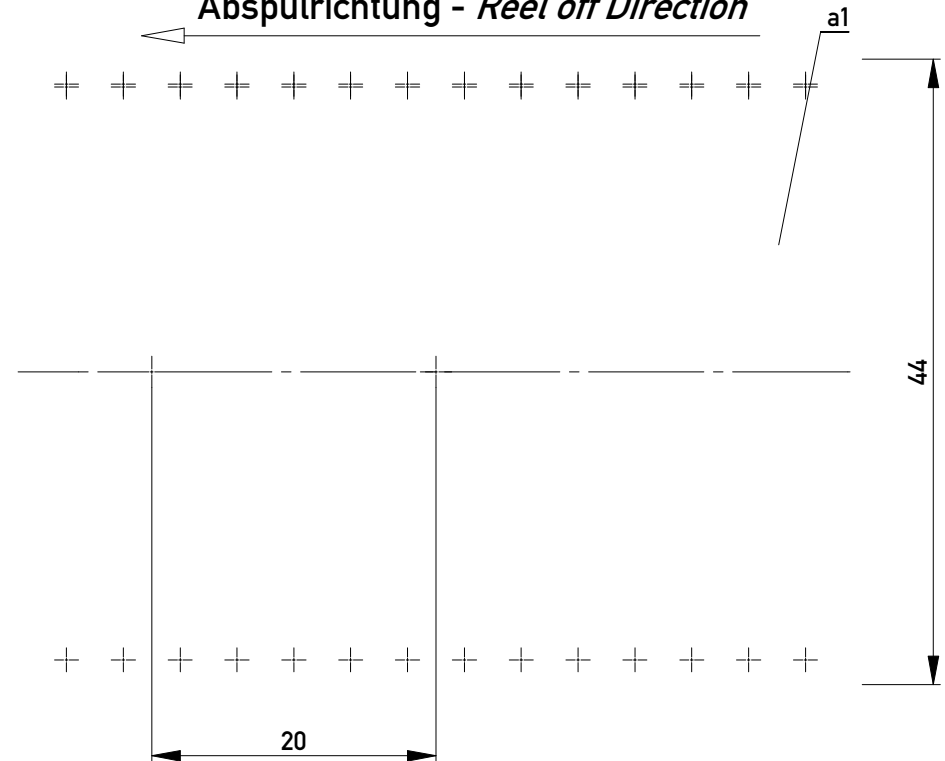
Anschlussbereich verzinkt 4-6 µm
Terminal Area 4-6 µm tin plating

Koplanarität der Anschlüsse ≤ 0,1 mm
Coplanarity Area of Termination ≤ 0,1 mm

Verpackt in Gurtverpackung
Tape on Reel Packaging
Verpackungseinheit: 440 Stück
Packaging unit: 440 pcs



Abspulrichtung - Reel off Direction



Copyright by ERNI GmbH Proprietary notice pursuant to ISO 16016 to be observed.	Information: Codierung grün - coding green	Tolerances All Dimensions in mm	Scale 3:1
	All rights reserved. Only for Information. To ensure that this is the latest version of this drawing, please contact one of the ERNI companies before using.	Subject to modification without prior notice. Drawing will not be updated.	Designation M 2,54 SRC-A, 8-polig
e Index	22.04.2013 Date	www.ERNI.com	101402000001 K A3
		Class SRCA	