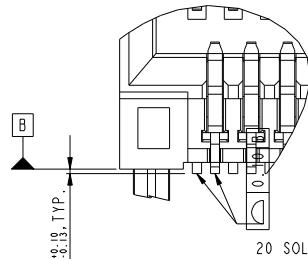
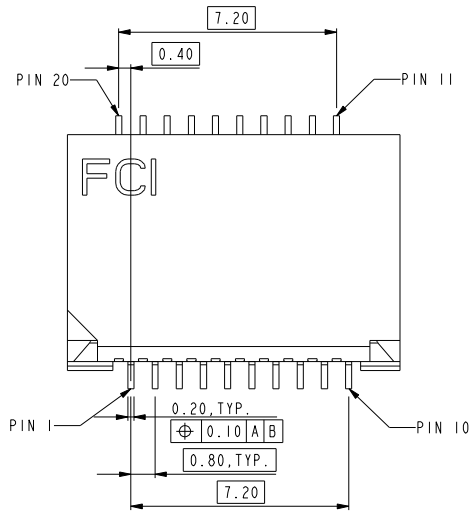
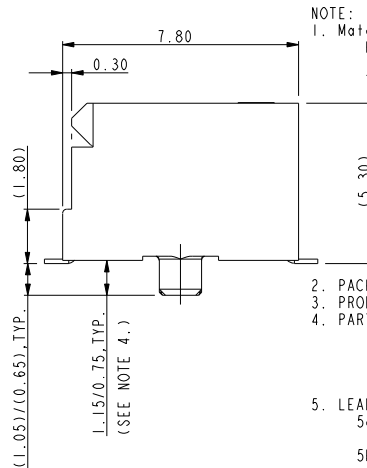
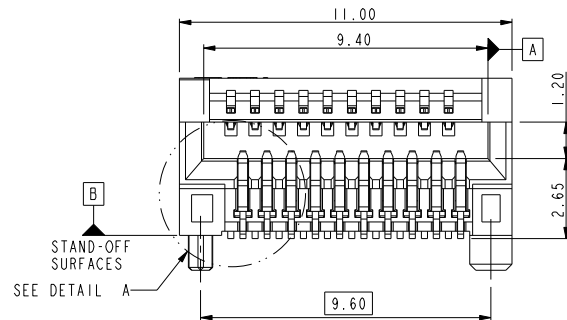
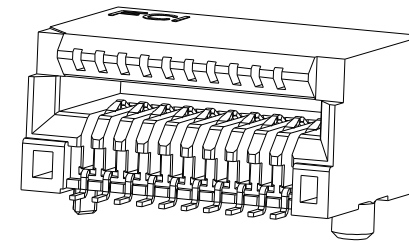


(SYMBOLS "X" AND "Y" DEFINES ORDERING DATA, PLEASE REFER TO NOTE 4.)



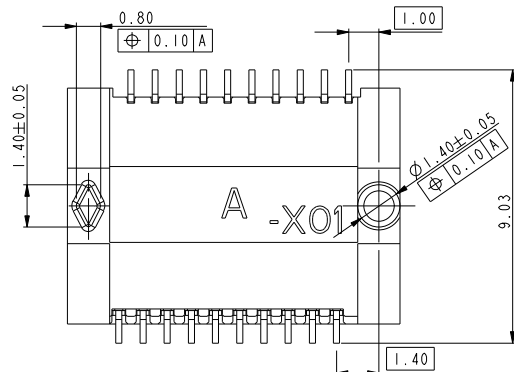
DETAIL A
SCALE 6.000



NOTE:

1. Material:
 - HOUSING: HIGH TEMPERATURE LCP, BLACK
UL 94 V-0 FLAME RETARDANT.
 - TERMINAL: COPPER ALLOY.
 - PLATING SPEC AS BELOW:
 - FOR CONTACT AREA:
 - 1Y1LF FOR 0.76 MICROMETERS MIN. THICKNESS GOLD.
 - 2Y1LF FOR 0.15 MICROMETERS MIN. THICKNESS GOLD
OVER 0.8 MICROMETERS MIN. Pd-Ni
 - 3Y1LF FOR 0.15 MICROMETERS MIN. THICKNESS GOLD FLASH
 - FOR SOLDER AREA:
 - MATTE PURE TIN 3 MICROMETERS MIN. FOR THREE TYPES.
 - FOR UNDERPLATING:
 - 1Y1LF AND -2Y1LF: 2.54 MICROMETERS MIN. THICKNESS NICKEL
 - 3Y1LF: 1.0 MICROMETERS MIN. NXT(AmNi).
2. PACKING SPEC. GS-14-1030
3. PRODUCT SPEC. GS-12-339.
4. PART NUMBER SCHEME: (EX: 10056847-XY1LF), PLEASE FIND THE PAGE 2 FOR OPTIONS.
(SYMBOL "X" IS FOR SELECTED PLATING AND
"LF" MEANS LEAD FREE PRODUCT.
(SYMBOL "Y" IS FOR PEG LENGTH SELECTION:
"0" DEFINES FOR LENGTH=1.15mm AND "1" DEFINES FOR LENGTH=0.75mm.

5. LEAD FREE NOTES:
 - 5a. THE HOUSING WILL WITHSTAND EXPOSURE TO 260° C PEAK TEMPERATURE FOR 10 SECONDS IN A CONVECTION, INFRA-RED OR VAPOR PHASE REFLOW OVEN.
 - 5b. THIS PRODUCT MEETS EUROPEAN UNION DIRECTIVES AND OTHER COUNTRY REGULATIONS AS DESCRIBED IN GS-22-008.
6. THIS CONNECTOR IS DESIGNED TO WORK WITH RAIL SYSTEM THAT ALLOW THE MODULE TO "FLOAT" IN THE VERTICAL PLANE AND FIND EQUILIBRIUM BETWEEN THE UPPER AND LOWER CONNECTOR ROWS. THIS CONNECTOR WILL NOT PERFORM PROPERLY IF USED IN SYSTEMS THAT MECHANICALLY BIAS THE MODULE IN THE VERTICAL PLANE SUCH AS RAIL RAIL SYSTEMS WITH EMI SPRINGS.



www.fciconnect.com			surface <input checked="" type="checkbox"/>	tolerance std	projection	MM
			TOLERANCES UNLESS OTHERWISE SPECIFIED			
Dr	BENNY CHEN	05/30/06	ANGULAR	0.X	size A4	Scale 2.000
Eng	BENNY CHEN	05/30/06		0.XX		
Chr	PAUL WANG	09/22/05	0° ±3°	0.XXX	ECN	
Appr	JOSEPH HSIA	09/23/05	Product family			Spec ref

rev	ecn no	dr	date
A	T06-0020	BENNY	01/25/06
B	T06-0108	BENNY	05/30/06
C	T06-0127	KASON	05/30/06
D	DG06-0383	KASON	09/11/06
E	DG07-0432	KASON	10/30/07
F	DG07-0451	KASON	11/13/07

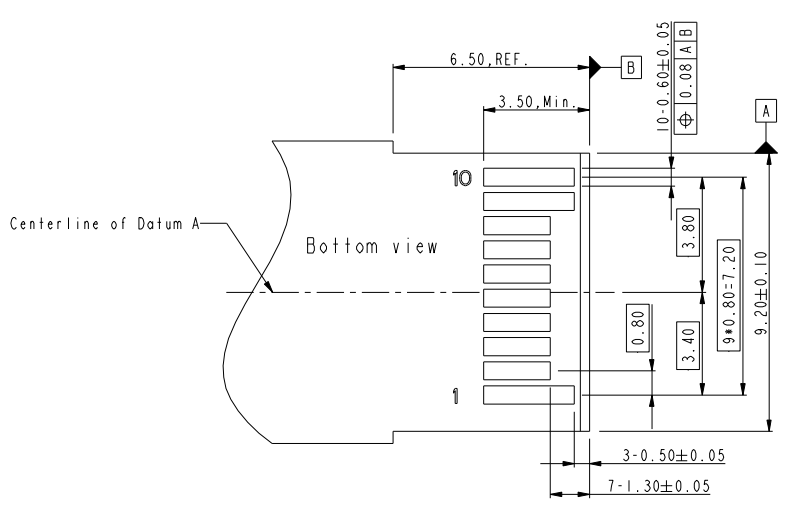
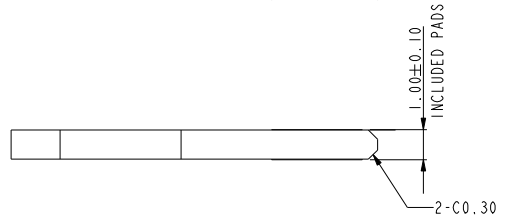
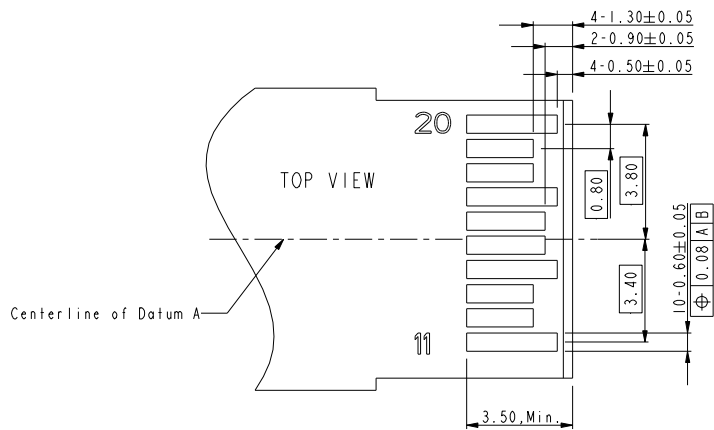


title RIGHR ANGLE TYPE, 20POS.
EDGE CARD CONNECTOR

catalog PDM: Rev:F STATUS: Released CUSTOMER DRAWING sheet 1 of 6

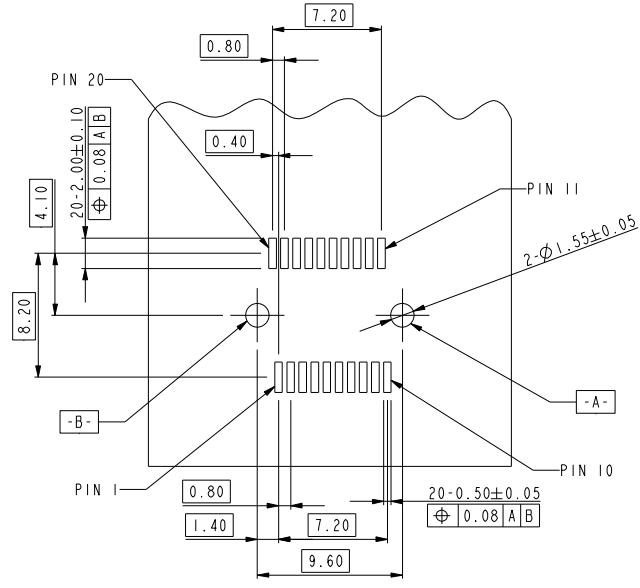
dwg no 10056847 Rev. F

PRODUCT NO
10056847-XYILF



RECOMMENDED LAYOUT
MATING PCB SIDE

PART NUMBER	HOUSING (Peg lengthn option)	TERMINALS (Contact plating options)	TERMINALS (Underplating and Solder tail plating)	REMARK
10056847-10ILF	Peg length=1.15mm	0.76um, Min.Gold	Underplating:2.54um Min. Nickel overall. Solder tail: 3um Min. Matte Tin.	
10056847-20ILF	Peg length=1.15mm	0.15um Min. Gold over 0.8um Min. Pd-Ni.	Underplating:2.54um Min. Nickel overall. Solder tail: 3um Min. Matte Tin.	NOT AVAILABLE
10056847-30ILF	Peg length=1.15mm	0.15um Min. Gold flash	Underplating: 1.0um Min. NXT(AmNi) overall. Solder Tail: 3um Min. Matte Tin.	NOT AVAILABLE
10056847-11ILF	Peg length=0.75mm	0.76um, Min.Gold	Underplating:2.54um Min. Nickel overall. Solder tail: 3um Min. Matte Tin.	
10056847-21ILF	Peg length=0.75mm	0.15um Min. Gold over 0.8um Min. Pd-Ni.	Underplating:2.54um Min. Nickel overall. Solder tail: 3um Min. Matte Tin.	NOT AVAILABLE
10056847-31ILF	Peg length=0.75mm	0.15um Min. Gold flash	Underplating: 1.0um Min. NXT(AmNi) overall. Solder Tail: 3um Min. Matte Tin.	NOT AVAILABLE



RECOMMENDED PCB LAYOUT
CONNECTOR MOUNTING SIDE

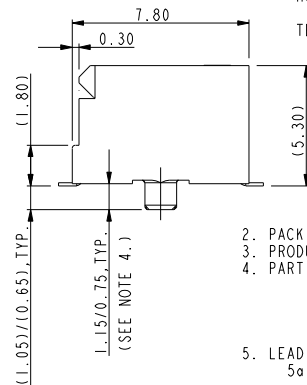
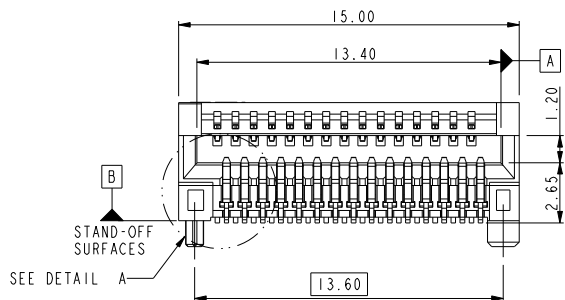
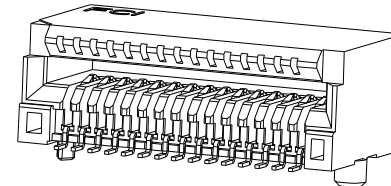
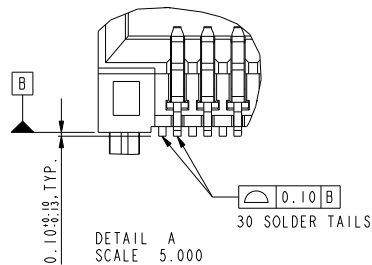
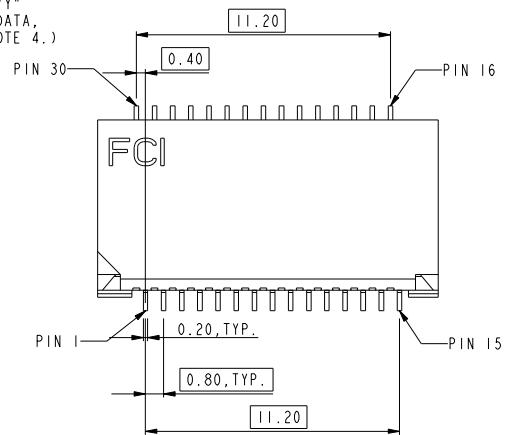
www.fciconnect.com			surface	tolerance std	projection	MM
			✓	TOLERANCES UNLESS OTHERWISE SPECIFIED		
Dr	BENNY CHEN	05/30/05	ANGULAR	0.X	size	Scale
Eng	BENNY CHEN	05/30/05	LINEAR	0.XX	A4	2.000
Chr	PAUL WANG	07/04/05	0° ± 3°	0.XXX	ECN	
Appr	JOSEPH HSIA	07/04/05	Product family			Spec ref

	title		dwg no	Rev.
	RECOMMENDED PCB LAYOUT FOR 20 POS. EDGE CARD CONNECTOR		10056847	F
catalog	PDM: Rev:F		CUSTOMER DRAWING	sheet 2 of 6

PRODUCT NO

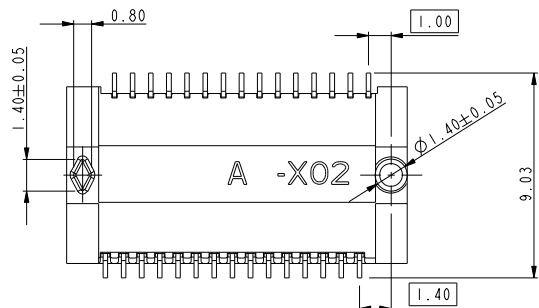
10056847-XY2LF

(SYMBOLS "X" AND "Y" DEFINES ORDERING DATA, PLEASE REFER TO NOTE 4.)



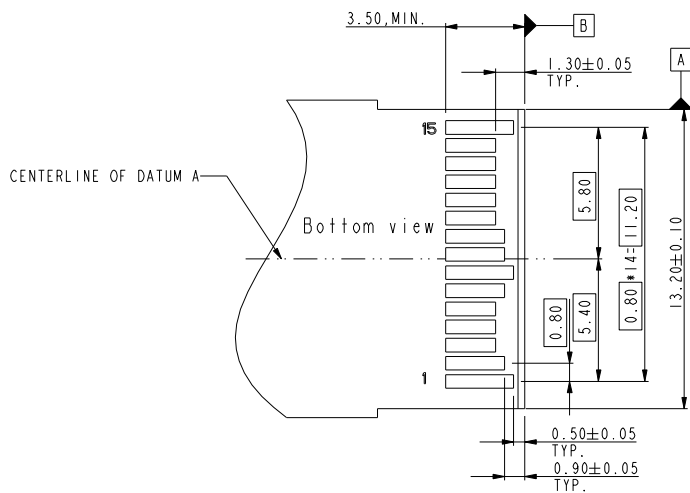
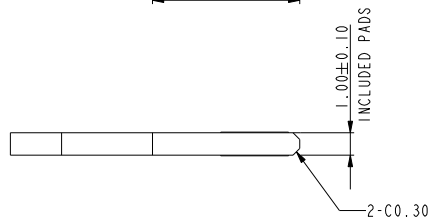
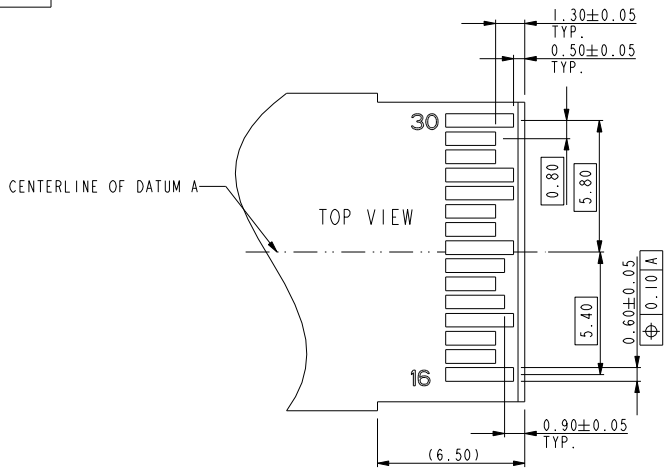
NOTE:

- Material:
 - HOUSING: HIGH TEMPERATURE LCP, BLACK UL 94 V-0 FLAME RETARDANT.
 - TERMINAL: COPPER ALLOY. PLATING SPEC AS BELOW:
 - FOR CONTACT AREA:
 - 1Y2LF FOR 0.76 MICROMETERS MIN. THICKNESS GOLD.
 - 2Y2LF FOR 0.15 MICROMETERS MIN. THICKNESS GOLD OVER 0.8 MICROMETERS MIN. Pd-Ni
 - 3Y2LF FOR 0.15 MICROMETERS MIN. THICKNESS GOLD FLASH
 - FOR SOLDER AREA:
 - MATTE PURE TIN 3 MICROMETERS MIN. FOR THREE TYPES.
 - FOR UNDERPLATING:
 - 1Y2LF AND -2Y2LF: 2.54 MICROMETERS MIN. THICKNESS NICKEL
 - 3Y2LF: 1.0 MICROMETERS MIN. NXT(AmNi).
- PACKING SPEC. GS-14-1030
- PRODUCT SPEC. GS-12-339.
- PART NUMBER SCHEME: (EX: 10056847-XY2LF), PLEASE FIND THE PAGE 2 FOR OPTIONS. (SYMBOL "X" IS FOR SELECTED PLATING AND "LF" MEANS LEAD FREE PRODUCT. (SYMBOL "Y" IS FOR PEG LENGTH SELECTION: "0" DEFINES FOR LENGTH=1.15mm AND "1" DEFINES FOR LENGTH=0.75mm.
- LEAD FREE NOTES:
 - 5a. THE HOUSING WILL WITHSTAND EXPOSURE TO 260° C PEAK TEMPERATURE FOR 10 SECONDS IN A CONVECTION, INFRA-RED OR VAPOR PHASE REFLOW OVEN.
 - 5b. THIS PRODUCT MEETS EUROPEAN UNION DIRECTIVES AND OTHER COUNTRY REGULATIONS AS DESCRIBED IN GS-22-008.
- THIS CONNECTOR IS DESIGNED TO WORK WITH RAIL SYSTEM THAT ALLOW THE MODULE TO "FLOAT" IN THE VERTICAL PLANE AND FIND EQUILIBRIUM BETWEEN THE UPPER AND LOWER CONNECTOR ROWS. THIS CONNECTOR WILL NOT PERFORM PROPERLY IF USED IN SYSTEMS THAT MECHANICALLY BIAS THE MODULE IN THE VERTICAL PLANE SUCH AS RAIL RAIL SYSTEMS WITH EMI SPRINGS.



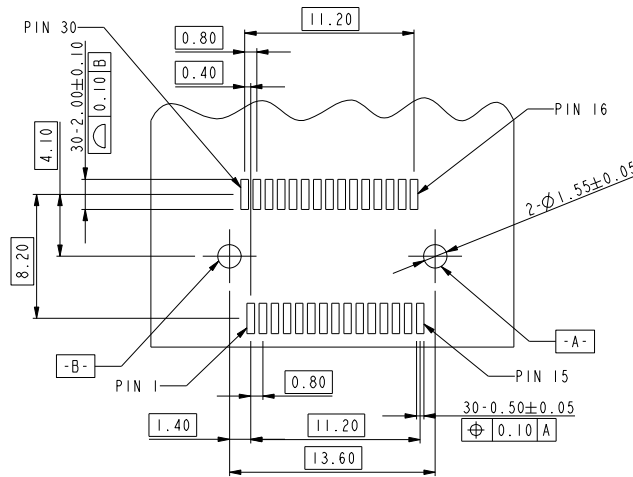
www.fciconnect.com			surface <input checked="" type="checkbox"/>	tolerance std	projection	MM
			TOLERANCES UNLESS OTHERWISE SPECIFIED			
Dr	BENNY CHEN	05/30/05	ANGULAR	0.X	±	size A4
Eng	BENNY CHEN	05/30/05		LINEAR	0.XX	±0.13
Chr	PAUL WANG	09/26/05	0° ±3°	0.XXX	±	ECN
Appr	JOSEPH HSIA	09/26/05	Product family			Spec ref
			title RIGHT ANGLE TYPE, 30 POS. EDGE CARD CONNECTOR		dwg no 10056847	Rev. F
catalog			PDM: Rev:F		STATUS: Released	sheet 3 of 6

PRODUCT NO
10056847-XY2LF



RECOMMENDED LAYOUT
MATING PCB SIDE

PART NUMBER	HOUSING (Peg lengthn option)	TERMINALS (Contact plating options)	TERMINALS (Underplating and Solder tail plating)	REMARK
10056847-102LF	Peg length=1.15mm	0.76um, Min.Gold	Underplating:2.54um Min. Nickel overall. Solder tail: 3um Min. Matte Tin.	
10056847-202LF	Peg length=1.15mm	0.15um Min. Gold over 0.8um Min. Pd-Ni.	Underplating:2.54um Min. Nickel overall. Solder tail: 3um Min. Matte Tin.	NOT AVAILABLE
10056847-302LF	Peg length=1.15mm	0.15um Min. Gold flash	Underplating: 1.0um Min. NXT(AmNi) overall. Solder Tail: 3um Min. Matte Tin.	NOT AVAILABLE
10056847-112LF	Peg length=0.75mm	0.76um, Min.Gold	Underplating:2.54um Min. Nickel overall. Solder tail: 3um Min. Matte Tin.	
10056847-212LF	Peg length=0.75mm	0.15um Min. Gold over 0.8um Min. Pd-Ni.	Underplating:2.54um Min. Nickel overall. Solder tail: 3um Min. Matte Tin.	NOT AVAILABLE
10056847-312LF	Peg length=0.75mm	0.15um Min. Gold flash	Underplating: 1.0um Min. NXT(AmNi) overall. Solder Tail: 3um Min. Matte Tin.	NOT AVAILABLE



RECOMMENDED PCB LAYOUT
CONNECTOR MOUNTING SIDE

www.fciconnect.com			surface <input checked="" type="checkbox"/>	tolerance std	projection	MM
			TOLERANCES UNLESS OTHERWISE SPECIFIED			← →
Dr	BENNY CHEN	05/30/05	ANGULAR	0.X	size A4	Scale 3.000
Eng	BENNY CHEN	05/30/05	LINEAR	0.XX ±0.13		
Chr	PAUL WANG	07/04/05	0° ±3°	0.XXX	ECN	
Appr	JOSEPH HSIA	07/04/05	Product family		Spec ref	
			title RECOMMENDED PCB LAYOUT FOR 30 POS. EDGE CARD CONNECTOR		dwg no 10056847	Rev. F
catalog			PDM: Rev:F		STATUS: Released Printed: Aug 05, 2009	

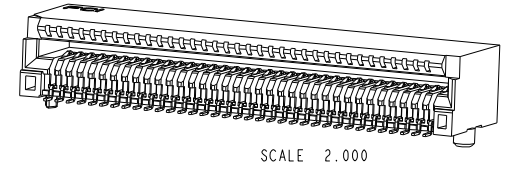
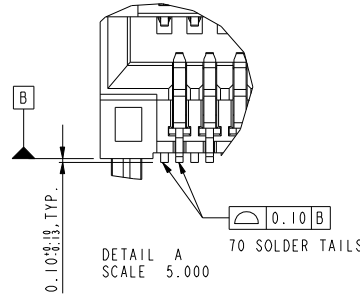
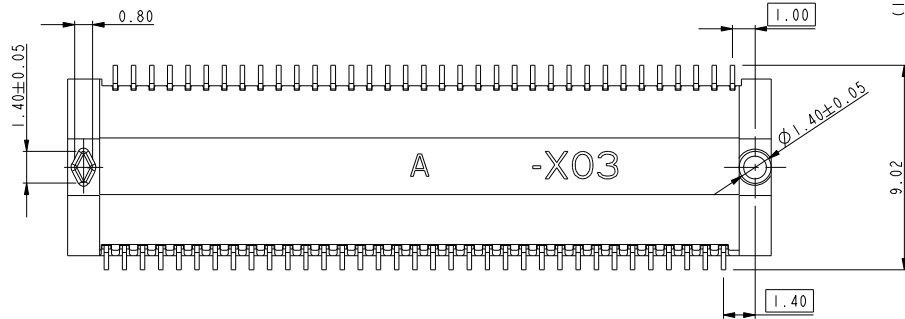
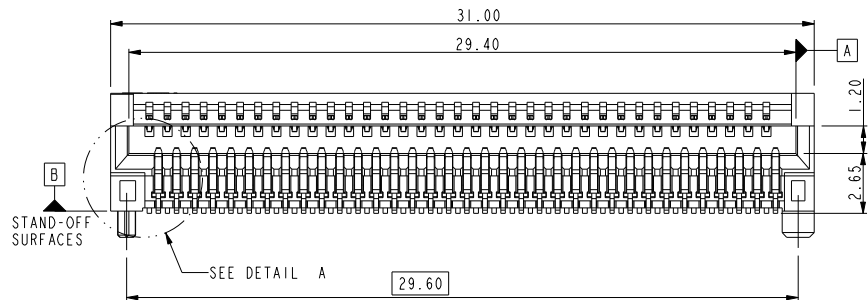
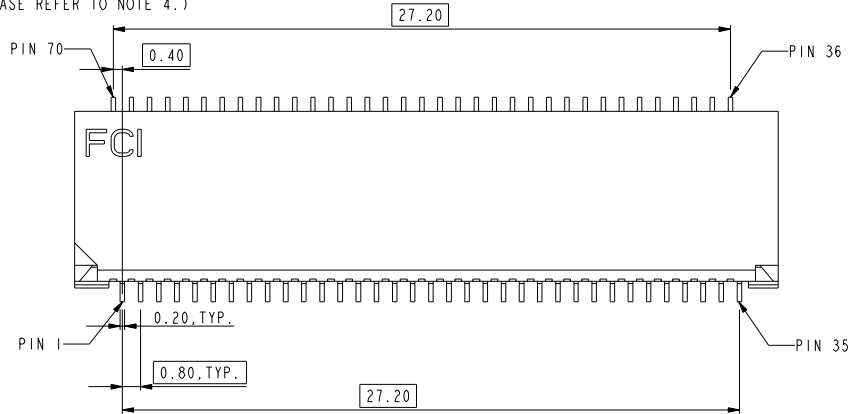


Copyright FCI.

PRODUCT NO

10056847-XY3LF

(SYMBOLS "X" AND "Y" DEFINES ORDERING DATA, PLEASE REFER TO NOTE 4.)



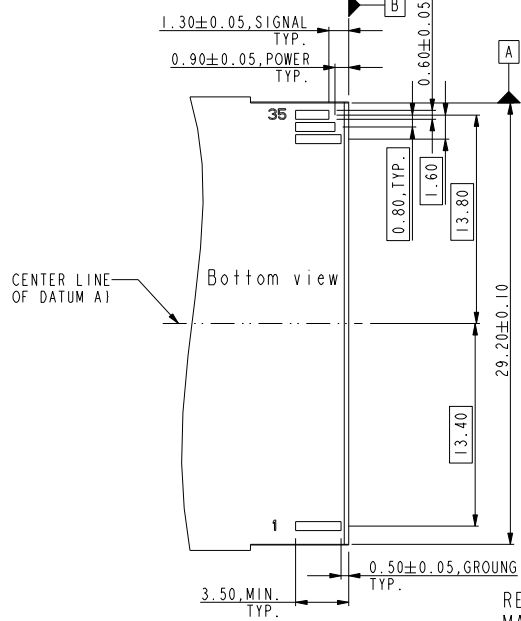
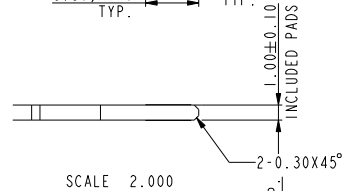
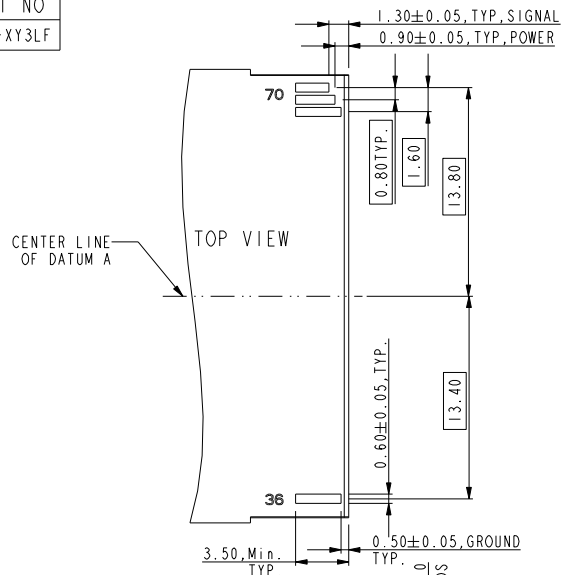
NOTE:

- Material:
 - HOUSING: HIGH TEMPERATURE LCP, BLACK UL 94 V-0 FLAME RETARDANT.
 - TERMINAL: COPPER ALLOY.
 - PLATING SPEC AS BELOW:
 - FOR CONTACT AREA:
 - 1Y3LF FOR 0.76 MICROMETERS MIN. THICKNESS GOLD.
 - 2Y3LF FOR 0.15 MICROMETERS MIN. THICKNESS GOLD OVER 0.8 MICROMETERS MIN. Pd-Ni
 - 3Y3LF FOR 0.15 MICROMETERS MIN. THICKNESS GOLD FLASH
 - FOR SOLDER AREA:
 - MATTE PURE TIN 3 MICROMETERS MIN. FOR THREE TYPES.
 - FOR UNDERPLATING:
 - 1Y3LF AND -2Y3LF: 2.54 MICROMETERS MIN. THICKNESS NICKEL
 - 3Y3LF: 1.0 MICROMETERS MIN. NXT(AmNi).
- PACKING SPEC. GS-14-1030
- PRODUCT SPEC. GS-12-339.
- PART NUMBER SCHEME: (EX. 10056847-XY3LF). PLEASE FIND THE PAGE 2 FOR OPTIONS.
 - (SYMBOL "X" IS FOR SELECTED PLATING AND
 - "LF" MEANS LEAD FREE PRODUCT.
 - (SYMBOL "Y" IS FOR PEG LENGTH SELECTION:
 - "0" DEFINES FOR LENGTH=1.15mm AND "1" DEFINES FOR LENGTH=0.75mm.
- LEAD FREE NOTES:
 - 5a. THE HOUSING WILL WITHSTAND EXPOSURE TO 260° C PEAK TEMPERATURE FOR 10 SECONDS IN A CONVECTION, INFRA-RED OR VAPOR PHASE REFLOW OVEN.
 - 5b. THIS PRODUCT MEETS EUROPEAN UNION DIRECTIVES AND OTHER COUNTRY REGULATIONS AS DESCRIBED IN GS-22-008.
- THIS CONNECTOR IS DESIGNED TO WORK WITH RAIL SYSTEM THAT ALLOW THE MODULE TO "FLOAT" IN THE VERTICAL PLANE AND FIND EQUILIBRIUM BETWEEN THE UPPER AND LOWER CONNECTOR ROWS. THIS CONNECTOR WILL NOT PERFORM PROPERLY IF USED IN SYSTEMS THAT MECHANICALLY BIAS THE MODULE IN THE VERTICAL PLANE SUCH AS RAIL RAIL SYSTEMS WITH EMI SPRINGS.

www.fciconnect.com			surface <input checked="" type="checkbox"/>	tolerance std	projection <input checked="" type="checkbox"/>	MM	
			TOLERANCES UNLESS OTHERWISE SPECIFIED			← →	
Dr	BENNY CHEN	05/30/05	ANGULAR	0.X	size A4	Scale 1.000	
Eng	BENNY CHEN	05/30/05		LINEAR		±0.13	
Chr	PAUL WANG	09/26/05	0° ±3°	0.XXX	ECN		
Appr	JOSEPH HSIA	09/26/05	Product family			Spec ref	

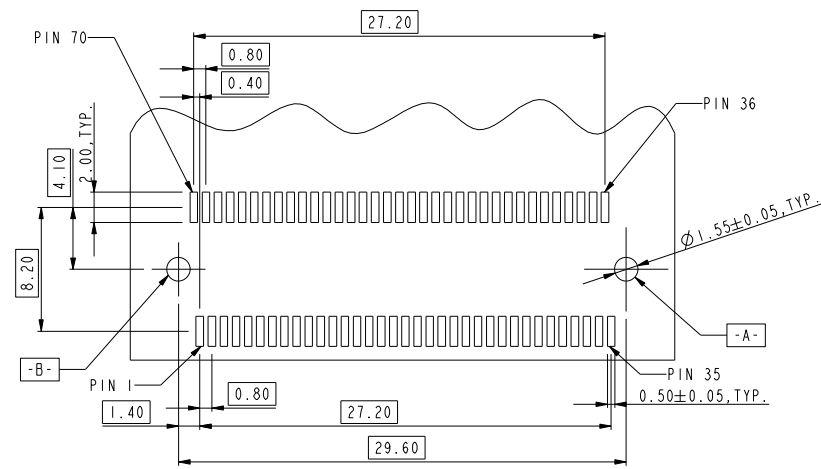
FCI	title	RIGHT ANGLE TYPE, 70 POS.		dwg no	10056847	Rev. F
	catalog	EDGE CARD CONNECTOR				
PDM: Rev:F			STATUS: Released		Printed: Aug 05, 2009	

PRODUCT NO
10056847-XY3LF



RECOMMENDED LAYOUT
MATING PCB SIDE

PART NUMBER	HOUSING (Peg length option)	TERMINALS (Contact plating options)	TERMINALS (Underplating and Solder tail plating)	REMARK
10056847-103LF	Peg length=1.15mm	0.76um, Min.Gold	Underplating:2.54um Min. Nickel overall. Solder tail: 3um Min. Matte Tin.	
10056847-203LF	Peg length=1.15mm	0.15um Min. Gold over 0.8um Min. Pd-Ni.	Underplating:2.54um Min. Nickel overall. Solder tail: 3um Min. Matte Tin.	NO TOOLING
10056847-303LF	Peg length=1.15mm	0.15um Min. Gold flash	Underplating: 1.0um Min. NXT(AmNi) overall. Solder Tail: 3um Min. Matte Tin.	NOT AVAILABLE
10056847-113LF	Peg length=0.75mm	0.76um, Min.Gold	Underplating:2.54um Min. Nickel overall. Solder tail: 3um Min. Matte Tin.	
10056847-213LF	Peg length=0.75mm	0.15um Min. Gold over 0.8um Min. Pd-Ni.	Underplating:2.54um Min. Nickel overall. Solder tail: 3um Min. Matte Tin.	NO TOOLING
10056847-313LF	Peg length=0.75mm	0.15um Min. Gold flash	Underplating: 1.0um Min. NXT(AmNi) overall. Solder Tail: 3um Min. Matte Tin.	NOT AVAILABLE



RECOMMENDED PCB LAYOUT
CONNECTOR MOUNTING SIDE
SCALE 2.000

www.fciconnect.com			surface <input checked="" type="checkbox"/>	tolerance std	projection	MM
			TOLERANCES UNLESS OTHERWISE SPECIFIED			Scale 1.000
Dr	BENNY CHEN	05/30/05	ANGULAR	0.X	size A4	
Eng	BENNY CHEN	05/30/05	LINEAR	0.XX ±0.13		
Chr	PAUL WANG	07/04/05	0° ±3°	0.XXX	ECN	
Appr	JOSEPH HSIA	07/04/05	Product family		Spec ref	
			title RECOMMENDED PCB LAYOUT FOR 70 POS. EDGE CARD CONNECTOR		dwg no 10056847	Rev. F
catalog			PDM: Rev:F		STATUS: Released	Printed: Aug 05, 2009



Copyright FCI.