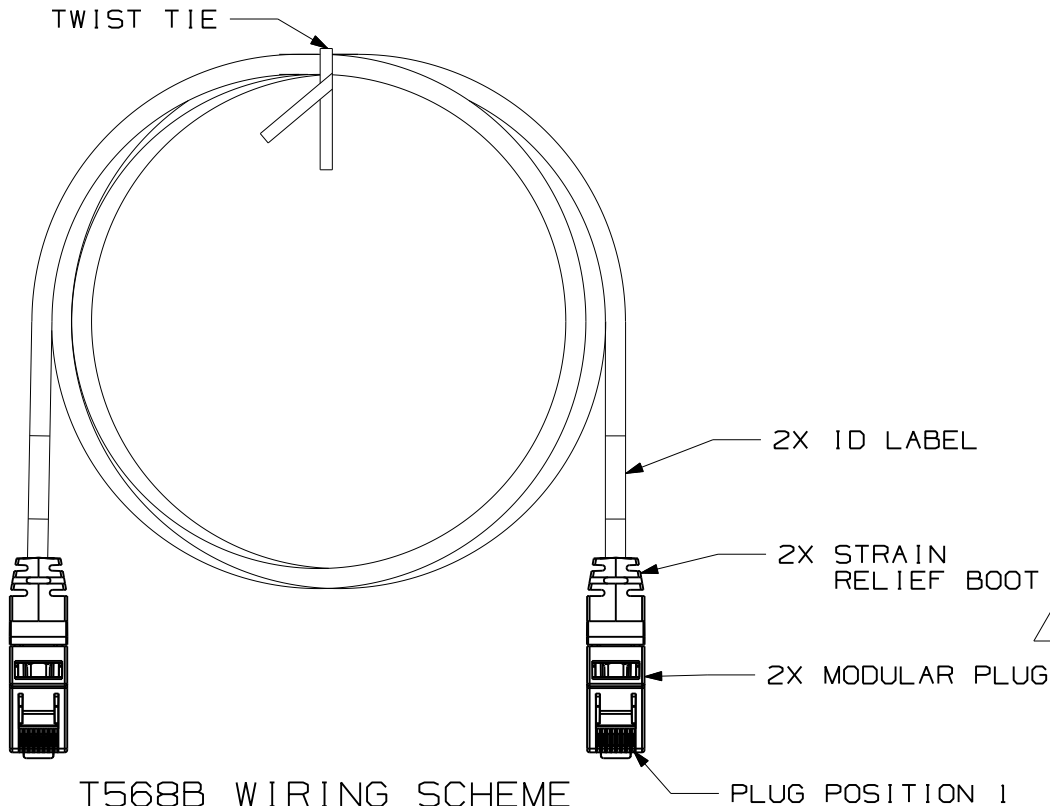


THIS COPY IS PROVIDED ON A RESTRICTED BASIS AND IS NOT TO BE USED IN ANY WAY DETRIMENTAL TO THE INTERESTS OF PANDUIT CORP.



NOTES:

1. SEE CURRENT CATALOG FOR VARIOUS APPLICATIONS AND TO INDICATE COLOR AND/OR PACKAGE QUANTITY.
2. SEE CATALOG FOR A COMPLETE LIST OF PARTS APPLICABLE FOR USE WITH THIS PART.
3. ALL CABLE JACKET COLOR IS BLUE.
4. CONSTRUCTED WITH CAT6, 23AWG, STRANDED, UTP CABLE.
5. MATERIALS:
 STRAIN RELIEF BOOT: PVC
 PLUG HOUSING: POLYCARBONATE
 CABLE JACKET: POLYETHYLENE OR FEP



T568B WIRING SCHEME

PLUG POSITION:	CABLE WIRE:
1	WHITE/ORANGE
2	ORANGE
3	WHITE/GREEN
4	BLUE
5	WHITE/BLUE
6	GREEN
7	WHITE/BROWN
8	BROWN

FOR PART NUMBERS, SEE SHEET 2

MODEL FILENAME	MO1185AC_PLUG_ASSY_06	SIZE	A
DRAWING FILENAME	MO2479LQ_DC304_00B		

CATEGORY 6 PLUG-TO-PLUG ZONE CORD CUSTOMER DRAWING

<p>PANDUIT™ TINLEY PARK, ILL 60477</p>	I.I. NUMBER
	PRODUCT SPEC/ PKG SPEC
<p>THIRD ANGLE PROJECTION</p>	ALL DIMENSIONS ARE GIVEN IN INCHES, UNLESS OTHERWISE SPECIFIED. DIMENSIONAL TOLERANCES ARE: (.X) ±.06 (.XXX) ± (.XX) ± ANGLES ±
ASSY METHOD/ TEST METHOD SCALE NONE	PART NO. SEE CHART
DRAWN BY LZ	REVIEW DRAWING NUMBERS
DATE 3-18-06	DRAWING NO. 02479-304 SHEET 1 OF 2
CHK'D WJC	


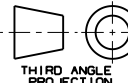
REV	DATE	BY	CHK	DESCRIPTION	ECN	R	CUST	SUP	OTH
				C. UPDATED NOTES					
				B. P/N UPPBU**Y ADDED LG: 10', 15', 25', 35', 45', 55', 60', 65', 70', 75', 85', 90', 95', 110', 120', 130', 140' & 150' P/N UPBU**Y ADDED LG: 10', 15', 25', 35', 45', 55', 60', 65', 70', 75', 85', 90', 95', 110', 120', 130', 140', 150', 4M, 6M, 9M, 11M-14M, 16M, 18M, & 22M-50M P/N UPLBU**Y ADDED LG: 4M, 6M, 9M, 11M-14M, 16M, 18M, & 22M-50M					
1	8-28-07	BJN	EJH	A. ADDED MODULAR PLUG, STRAIN RELIEF BOOT, & ID LABEL CALLOUTS	02479-304		REGA		
R	3-18-06	LZ	WJC	RELEASED TO PRODUCTION	02479-304		RMD		

THIS COPY IS PROVIDED ON A RESTRICTED BASIS AND IS NOT TO BE USED IN ANY WAY DETRIMENTAL TO THE INTERESTS OF PANDUIT CORP.

PANDUIT PLENUM SERIES PART#	PANDUIT NON-PLENUM SERIES PART#	PANDUIT LSZH SERIES PART#	MINIMUM CABLE LENGTH
UPPBU10Y	N/A	N/A	10 FT.(3.0 M.)
UPPBU15Y	N/A	N/A	15 FT.(4.6 M.)
UPPBU20Y	UPBU20Y	N/A	20 FT.(6.1 M.)
UPPBU25Y	N/A	N/A	25 FT.(7.6 M.)
UPPBU30Y	UPBU30Y	N/A	30 FT.(9.1 M.)
UPPBU35Y	N/A	N/A	35 FT.(10.7 M.)
UPPBU40Y	UPBU40Y	N/A	40 FT.(12.2 M.)
UPPBU45Y	N/A	N/A	45 FT.(13.7 M.)
UPPBU50Y	UPBU50Y	N/A	50 FT.(15.2 M.)
UPPBU55Y	N/A	N/A	55 FT.(16.8 M.)
UPPBU60Y	N/A	N/A	60 FT.(18.3 M.)
UPPBU65Y	N/A	N/A	65 FT.(19.8 M.)
UPPBU70Y	N/A	N/A	70 FT.(21.3 M.)
UPPBU75Y	N/A	N/A	75 FT.(22.9 M.)
UPPBU80Y	UPBU80Y	N/A	80 FT.(24.4 M.)
UPPBU85Y	N/A	N/A	85 FT.(25.9 M.)
UPPBU90Y	N/A	N/A	90 FT.(27.4 M.)
UPPBU95Y	N/A	N/A	95 FT.(29.0 M.)
UPPBU100Y	UPBU100Y	N/A	100 FT.(30.5 M.)
UPPBU110Y	N/A	N/A	110 FT.(33.5 M.)
UPPBU120Y	N/A	N/A	120 FT.(36.6 M.)
UPPBU130Y	N/A	N/A	130 FT.(39.6 M.)
UPPBU140Y	N/A	N/A	140 FT.(42.7 M.)
UPPBU150Y	N/A	N/A	150 FT.(45.7 M.)
N/A	UPBU4MY	UPLBU4MY	4 M.(13.1 FT.)
N/A	UPBU5MY	UPLBU5MY	5 M.(16.4 FT.)
N/A	UPBU6MY	UPLBU6MY	6 M.(19.7 FT.)
N/A	UPBU7MY	UPLBU7MY	7 M.(23.0 FT.)
N/A	UPBU8MY	UPLBU8MY	8 M.(26.2 FT.)
N/A	UPBU9MY	UPLBU9MY	9 M.(29.5 FT.)
N/A	UPBU10MY	UPLBU10MY	10 M.(32.8 FT.)
N/A	UPBU11MY	UPLBU11MY	11 M.(36.1 FT.)
N/A	UPBU12MY	UPLBU12MY	12 M.(39.4 FT.)

PANDUIT PLENUM SERIES PART#	PANDUIT NON-PLENUM SERIES PART#	PANDUIT LSZH SERIES PART#	MINIMUM CABLE LENGTH
N/A	UPBU13MY	UPLBU13MY	13 M.(42.7 FT.)
N/A	UPBU14MY	UPLBU14MY	14 M.(45.9 FT.)
N/A	UPBU15MY	UPLBU15MY	15 M.(49.2 FT.)
N/A	UPBU16MY	UPLBU16MY	16 M.(52.5 FT.)
N/A	UPBU18MY	UPLBU18MY	18 M.(59.1 FT.)
N/A	UPBU20MY	UPLBU20MY	20 M.(65.6 FT.)
N/A	UPBU22MY	UPLBU22MY	22 M.(72.2 FT.)
N/A	UPBU24MY	UPLBU24MY	24 M.(78.7 FT.)
N/A	UPBU26MY	UPLBU26MY	26 M.(85.3 FT.)
N/A	UPBU28MY	UPLBU28MY	28 M.(91.9 FT.)
N/A	UPBU30MY	UPLBU30MY	30 M.(98.4 FT.)
N/A	UPBU32MY	UPLBU32MY	32 M.(105.0 FT.)
N/A	UPBU34MY	UPLBU34MY	34 M.(111.5 FT.)
N/A	UPBU36MY	UPLBU36MY	36 M.(118.1 FT.)
N/A	UPBU38MY	UPLBU38MY	38 M.(124.7 FT.)
N/A	UPBU40MY	UPLBU40MY	40 M.(131.2 FT.)
N/A	UPBU42MY	UPLBU42MY	42 M.(137.8 FT.)
N/A	UPBU44MY	UPLBU44MY	44 M.(144.4 FT.)
N/A	UPBU46MY	UPLBU426Y	46 M.(150.9 FT.)
N/A	UPBU48MY	UPLBU48MY	48 M.(157.5 FT.)
N/A	UPBU50MY	UPLBU50MY	50 M.(164.0 FT.)



MODEL FILENAME MO1185AC_PLUG_ASSY_06		SIZE A
DRAWING FILENAME MO2479LQ_DC304_00B		
CATEGORY 6 PLUG-TO-PLUG ZONE CORD CUSTOMER DRAWING		
 PANDUIT ™ CORP. TINLEY PARK, ILL 60477	I.I. NUMBER	
	PRODUCT SPEC/ PKG SPEC	
 THIRD ANGLE PROJECTION	ASSY METHOD/ TEST METHOD	
	SCALE	NONE
DRAWN BY LZ	REVIEW DRAWING NUMBERS	PART NO. SEE CHART
DATE 3-18-06		DRAWING NO. 02479-304
CHK'D WJC		SHEET 2 OF 2

REV	DATE	BY	CHK	DESCRIPTION	ECN	R	CUST	SUP	OTH
1	8-28-07	BJN	EJH	FOR REVISIONS, SEE SHEET 1	02479-304		REGA		