



## 75 Ohm SMB Jack to 50 Ohm BNC Male Adapter

### TECHNICAL DATA SHEET

PE9229

#### 75 Ohm SMB Jack to 50 Ohm BNC Male Adapter

##### Configuration

Connector 1	SMB Jack
Impedance 1	75 Ohms
Connector Specification 1	MIL-STD-348A
Connector 2	BNC Male
Impedance 2	50 Ohms
Adapter Design	Standard
Body Style	Straight

##### Mechanical Specifications

###### Size

Length, in [mm]	1.202 [30.53]
Width/Dia., in [mm]	0.57 [14.48]

###### Connector 1

Type	SMB Jack
Inner Conductor Material and Plating	Brass, Gold
Inner Conductor Plating Specification	30µ in. minimum
Body Material and Plating	Brass, Nickel
Body Plating Specification	100µ in. minimum
Dielectric Type	Teflon

###### Connector 2

Type	BNC Male
Inner Conductor Material and Plating	Brass, Gold
Inner Conductor Plating Specification	30µ in. minimum
Coupling Nut Material and Plating	Brass, Nickel
Coupling Nut Plating Specification	100µ in. minimum
Body Material and Plating	Brass, Nickel
Body Plating Specification	100µ in. minimum
Dielectric Type	Teflon

##### Compliance Certifications (visit [www.Pasternack.com](http://www.Pasternack.com) for current document)

RoHS Compliant	Yes
----------------	-----

##### Plotted and Other Data

Notes: Values at 25 °C, sea level

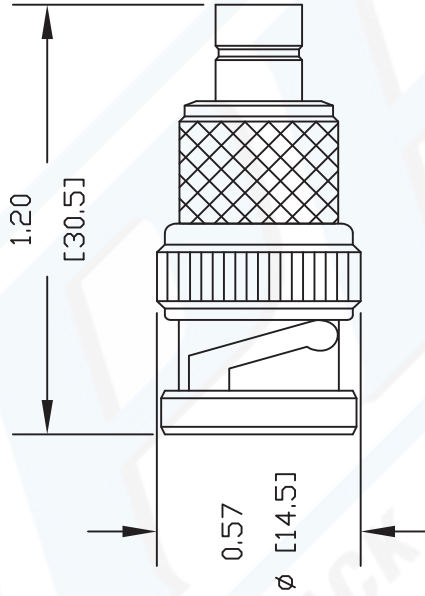
URL: <http://www.pasternack.com/smb-jack-bnc-male-straight-adapter-pe9229-p.aspx>

75 Ohm SMB Jack to 50 Ohm BNC Male Adapter from Pasternack Enterprises has same day shipment for domestic and International orders. Our RF, microwave and fiber optic products maintain a 99% availability and are part of the broadest selection in the industry.

The information contained in this document is accurate to the best of our knowledge and representative of the part described herein. It may be necessary to make modifications to the part and/or the documentation of the part, in order to implement improvements. Pasternack reserves the right to make such changes as required. Unless otherwise stated, all specifications are nominal.

# PE9229 CAD Drawing

75 Ohm SMB Jack to 50 Ohm BNC Male Adapter



DWG TITLE

**PE9229**

NOTES:  
1. UNLESS OTHERWISE SPECIFIED ALL DIMENSIONS ARE NOMINAL.  
2. ALL SPECIFICATIONS ARE SUBJECT TO CHANGE WITHOUT NOTICE AT ANY TIME.  
3. DIMENSIONS ARE IN INCHES [mm].

REV. -

FSCM NO. 53919

CAD FILE 083002

SCALE N/A

SIZE A

127

**PE PASTERNAK®**

Pasternack Enterprises, Inc.  
P.O. Box 16759 | Irvine | CA | 92623  
Phone: (949) 261-1920 | Fax: (949) 261-7451  
Website: [www.pasternack.com](http://www.pasternack.com) | E-Mail: [sales@pasternack.com](mailto:sales@pasternack.com)