



Precision SMA Male to 7mm Sexless Adapter

TECHNICAL DATA SHEET

PE9215

**Precision SMA Male to 7mm Sexless Adapter**

**Configuration**

Connector 1	SMA Male
Impedance 1	50 Ohms
Connector 2	7mm Sexless
Impedance 2	50 Ohms
Adapter Design	Precision
Body Style	Straight

**Electrical Specifications**

Frequency Range, GHz	DC to 18
Maximum VSWR	1.15:1

**Mechanical Specifications**

**Size**

Length, in [mm]	1.275 [32.39]
Width/Dia., in [mm]	0.87 [22.1]

**Connector 1**

Type	SMA Male
------	----------

**Connector 2**

Type	7mm Sexless
------	-------------

**Compliance Certifications** (visit [www.Pasternack.com](http://www.Pasternack.com) for current document)

RoHS Compliant	Yes
----------------	-----

**Plotted and Other Data**

Notes:	Values at 25 °C, sea level
--------	----------------------------

URL: <http://www.pasternack.com/sma-male-7mm-sexless-straight-adapter-pe9215-p.aspx>

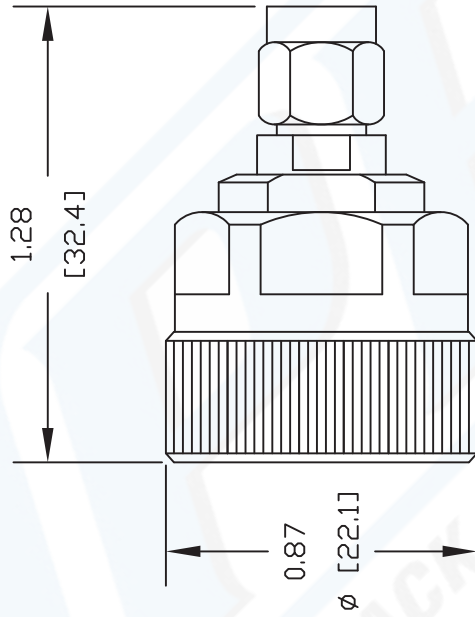
Precision SMA Male to 7mm Sexless Adapter from Pasternack Enterprises has same day shipment for domestic and International orders. Our RF, microwave and fiber optic products maintain a 99% availability and are part of the broadest selection in the industry.

The information contained in this document is accurate to the best of our knowledge and representative of the part described herein. It may be necessary to make modifications to the part and/or the documentation of the part, in order to implement improvements. Pasternack reserves the right to make such changes as required. Unless otherwise stated, all specifications are nominal.



# PE9215 CAD Drawing

Precision SMA Male to 7mm Sexless Adapter



NOTES:  
 1. UNLESS OTHERWISE SPECIFIED ALL DIMENSIONS ARE NOMINAL.  
 2. ALL SPECIFICATIONS ARE SUBJECT TO CHANGE WITHOUT NOTICE AT ANY TIME.  
 3. DIMENSIONS ARE IN INCHES [mm].

DWG TITLE  
**PE9215**

127

SIZE A

SCALE N/A

CAD FILE 011204

FSCM NO. 53919

REV. -

**PE PASTERNAK®**  
 Pasternack Enterprises, Inc.  
 P.O. Box 16759 | Irvine | CA | 92623  
**Phone:** (949) 261-1920 | **Fax:** (949) 261-7451  
**Website:** [www.pasternack.com](http://www.pasternack.com) | **E-Mail:** [sales@pasternack.com](mailto:sales@pasternack.com)