



**PE91043**

Precision SMA Male to 7/16 DIN Male Adapter Low PIM,  
Low VSWR

**SMA Male to 7/16 DIN Male Low PIM, Low VSWR Precision Adapters**

- PIM levels <-165 dBc
- Low VSWR levels up to 7.5 GHz.
- Tri-metal Albaloy coating
  - durable surface with good corrosion protection
  - abrasion resistance
  - superior electrical contact properties.
- Available in various connector combinations
  - 7/16 DIN in-series
  - Type N in-series
  - 7/16 DIN to Type N and SMA in-between series
- 4-hole flange and bulkhead-mounted styles available
- Ideal choice for use in portable PIM testing

**Configuration**

Connector 1	SMA Male
Connector 2	7/16 DIN Male
Adapter Design	Precision
Body Style	Straight

**Electrical Specifications**

Frequency Range (GHz)	DC to 7.5
Impedance (Ohms)	50
VSWR, Max	1.09:1
Dielectric Withstanding Voltage (Vrms)	1000
Passive Intermodulation ((<-) dBc @ 2 x 20 Watts)	-165

**Frequency 1**

Frequency (GHz)	DC to 7.5
VSWR	1.09:1
Return Loss (dB)	27

Click the following link for the additional product information:  
[Precision SMA Male to 7/16 DIN Male Adapter Low PIM, Low VSWR PE91043](#)

Version C - Revision - © 2011 Pasternack Enterprises All Rights Reserved.





**PE91043**

Precision SMA Male to 7/16 DIN Male Adapter Low PIM,  
Low VSWR

**Mechanical Specifications**

Temperature Operating Range (deg C)	-55 to +155
Weight (lbs)	0.18
Length (inches)	1.28
Width/Dia. (inches)	1.39
Dielectric Type	PTFE

**Connector 1**

Hex Size (mm)	8
Torque (in-lb)	4.4
Mating Cycles	100
Inner Conductor Material and Plating	Beryllium Copper, Gold, 0.76µm
Outer Conductor Material and Plating	Brass, Tri Metal – Albaloy, 2.54µm
Coupling Nut Material and Plating	Brass, Tri Metal – Albaloy, 2.54µm

**SMA Male**

Hex Size (mm)	8
Torque (in-lb)	4.4
Mating Cycles	100
Inner Conductor Material and Plating	Beryllium Copper, Gold, 0.76µm
Outer Conductor Material and Plating	Brass, Tri Metal – Albaloy, 2.54µm
Coupling Nut Material and Plating	Brass, Tri Metal – Albaloy, 2.54µm

**Connector 2**

Hex Size (mm)	32
Torque (ft-lb)	18.4
Mating Cycles	500
Inner Conductor Material and Plating	Brass, Silver, 5µm
Outer Conductor Material and Plating	Brass, Tri Metal – Albaloy, 2.54µm
Coupling Nut Material and Plating	Brass, Tri Metal – Albaloy, 2.54µm

**7/16 DIN Male**

Hex Size (mm)	32
Torque (ft-lb)	18.4
Mating Cycles	500
Inner Conductor Material and Plating	Brass, Silver, 5µm
Outer Conductor Material and Plating	Brass, Tri Metal – Albaloy, 2.54µm
Coupling Nut Material and Plating	Brass, Tri Metal – Albaloy, 2.54µm

**Compliance Certifications** (visit [www.Pasternack.com](http://www.Pasternack.com) for current document)

RoHS Compliant	Yes, by exemption
----------------	-------------------

**Other Data**

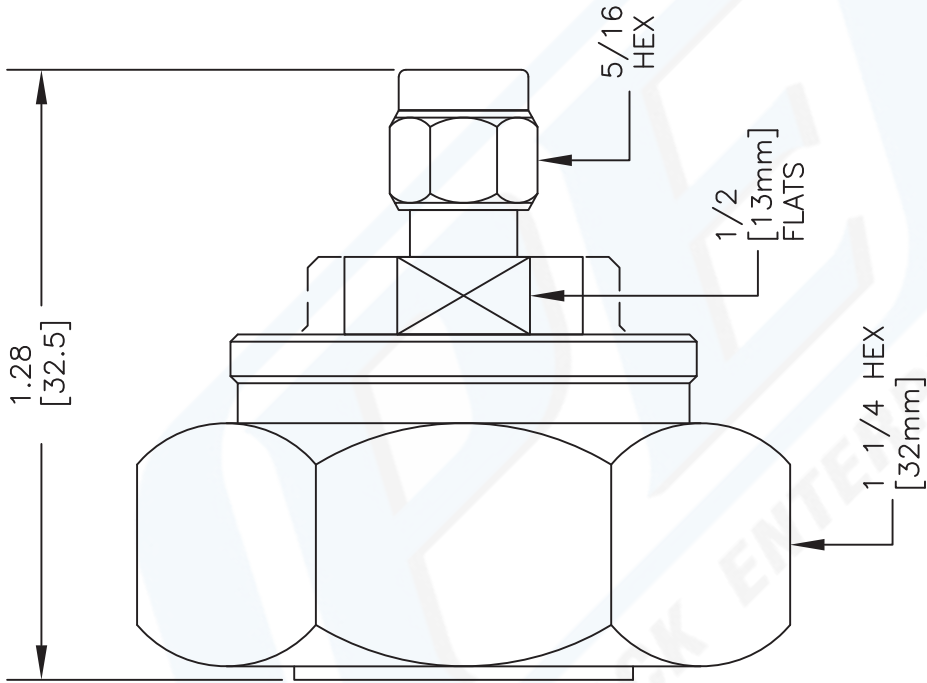
URL: <http://www.pasternack.com/sma-male-7-16-male-straight-adapter-pe91043-p.aspx>

Precision SMA Male to 7/16 DIN Male Adapter Low PIM, Low VSWR from Pasternack Enterprises has same day shipment for domestic and International orders. Our RF, microwave and fiber optic products maintain a 99% availability and are part of the broadest selection in the industry.



# PE91043 CAD Drawing

Precision SMA Male to 7/16 DIN Male Adapter Low PIM, Low VSWR



7/16 DIN  
MALE

SMA  
MALE

DWG TITLE

**PE91043**

NOTES:  
1. UNLESS OTHERWISE SPECIFIED ALL DIMENSIONS ARE NOMINAL.  
2. ALL SPECIFICATIONS ARE SUBJECT TO CHANGE WITHOUT NOTICE AT ANY TIME.  
3. DIMENSIONS ARE IN INCHES [mm].

**PASTERNAK ENTERPRISES, INC.**

P.O. BOX 16759, IRVINE, CA 92623  
PHONE (949) 261-1920 FAX (949) 261-7451

WEB ADDRESS: [www.pasternack.com](http://www.pasternack.com)  
E-MAIL ADDRESS: [sales@pasternack.com](mailto:sales@pasternack.com)

**COAXIAL & FIBER OPTICS**



ESTABLISHED 1972

FSCM NO. 53919

CAD FILE 050312

SCALE N/A

SIZE A

2233

REV. -