



Low PIM SMA Female to 7/16 DIN Male Adapter Low VSWR

TECHNICAL DATA SHEET

PE91036

Low PIM SMA Female to 7/16 DIN Male Adapter Low VSWR

- PIM levels <-165 dBc
- Low VSWR levels up to 8GHz
- Tri-metal coating provides a durable surface with good corrosion protection abrasion resistance and superior electrical contact properties.
- Available in various connector combinations including 7/16 DIN in-series, Type N in-series, and 7/16 DIN to Type N and SMA between series
- 4-hole flange and bulkhead mount styles available
- Ideal choice for use in portable PIM testing applications

Configuration

Connector 1	SMA Female
Impedance 1	50 Ohms
Connector Specification 1	MIL-STD-348
Connector 2	7/16 DIN Male
Impedance 2	50 Ohms
Connector Specification 2	IEC 169-4 (0.232 dia. Enhancement)
Adapter Design	Low PIM
Body Style	Straight

Electrical Specifications

Frequency Range, GHz	DC to 7.5
Maximum VSWR	1.09:1
Dielectric Withstanding Voltage, Vrms	1,000
Maximum Passive Intermodulation (2 x 20 Watts), dBc	-165

Frequency 1

Frequency, GHz	DC to 7.5
VSWR	1.09:1
Return Loss, dB	27

Mechanical Specifications

Temperature

Operating Range, deg C	-55 to +155
------------------------	-------------

Size

Length, in [mm]	1.18 [29.97]
Width/Dia., in [mm]	1.25 [31.75]
Weight, lbs [g]	0.18 [81.65]

Connector 1

Type	SMA Female
Mating Cycles	100
Inner Conductor Material and Plating	Beryllium Copper, Gold

Click the following link (or enter part number in "SEARCH" on website) to obtain additional part information including price, inventory and certifications: [Low PIM SMA Female to 7/16 DIN Male Adapter Low VSWR PE91036](#)

The information contained in this document is accurate to the best of our knowledge and representative of the part described herein. It may be necessary to make modifications to the part and/or the documentation of the part, in order to implement improvements. Pasternack reserves the right to make such changes as required. Unless otherwise stated, all specifications are nominal.





Low PIM SMA Female to 7/16 DIN Male Adapter Low VSWR

TECHNICAL DATA SHEET

PE91036

Inner Conductor Plating Specification	200 [5] μ in. [μ m] minimum
Body Material and Plating	Brass, Tri-Metal
Body Plating Specification	100 [2.54] μ in. [μ m] minimum
Dielectric Type	PTFE

Connector 2

Type	7/16 DIN Male
Mating Cycles	500
Inner Conductor Material and Plating	Brass, Gold
Inner Conductor Plating Specification	200 [5] μ in. [μ m] minimum
Coupling Nut Material and Plating	Brass, Tri-Metal
Coupling Nut Plating Specification	100 [2.54] μ in. [μ m] minimum
Hex Size, mm	32
Torque, ft-lbs [Nm]	18.417 [24.97]
Body Material and Plating	Brass, Tri-Metal
Body Plating Specification	100 [2.54] μ in. [μ m] minimum
Dielectric Type	PTFE

Compliance Certifications (visit www.Pasternack.com for current document)

RoHS Compliant	Yes
----------------	-----

Plotted and Other Data

Notes:	Values at 25 °C, sea level
--------	----------------------------

Low PIM SMA Female to 7/16 DIN Male Adapter Low VSWR from Pasternack Enterprises has same day shipment for domestic and International orders. Our RF, microwave and fiber optic products maintain a 99% availability and are part of the broadest selection in the industry.

Click the following link (or enter part number in "SEARCH" on website) to obtain additional part information including price, inventory and certifications: [Low PIM SMA Female to 7/16 DIN Male Adapter Low VSWR PE91036](http://www.pasternack.com/sma-female-7-16-male-straight-adapter-pe91036-p.aspx)

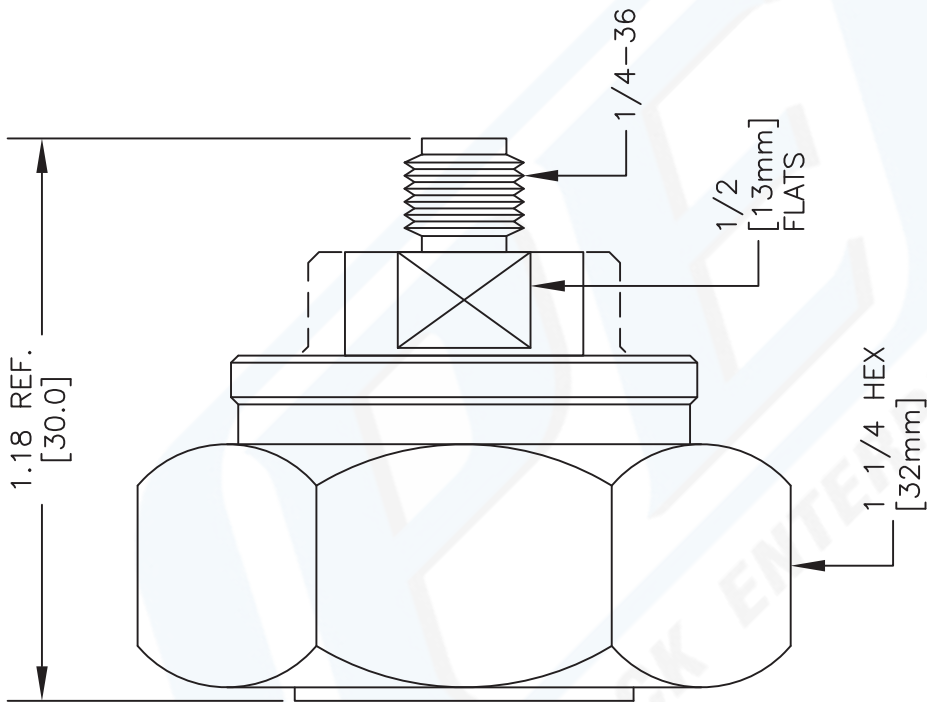
URL: <http://www.pasternack.com/sma-female-7-16-male-straight-adapter-pe91036-p.aspx>

The information contained in this document is accurate to the best of our knowledge and representative of the part described herein. It may be necessary to make modifications to the part and/or the documentation of the part, in order to implement improvements. Pasternack reserves the right to make such changes as required. Unless otherwise stated, all specifications are nominal.



PE91036 CAD Drawing

Low PIM SMA Female to 7/16 DIN Male Adapter Low VSWR



7/16 DIN MALE SMA FEMALE

DWG TITLE

PE91036

NOTES:
 1. UNLESS OTHERWISE SPECIFIED ALL DIMENSIONS ARE NOMINAL.
 2. ALL SPECIFICATIONS ARE SUBJECT TO CHANGE WITHOUT NOTICE AT ANY TIME.
 3. DIMENSIONS ARE IN INCHES [mm].

PASTERNAK ENTERPRISES, INC.
 P.O. BOX 16759, IRVINE, CA 92623
 PHONE (949) 261-1920 FAX (949) 261-7451
 WEB ADDRESS: www.pasternack.com
 E-MAIL ADDRESS: sales@pasternack.com
COAXIAL & FIBER OPTICS



REV. -

FSCM NO. 53919

CAD FILE 050312

SCALE N/A

SIZE A

2233