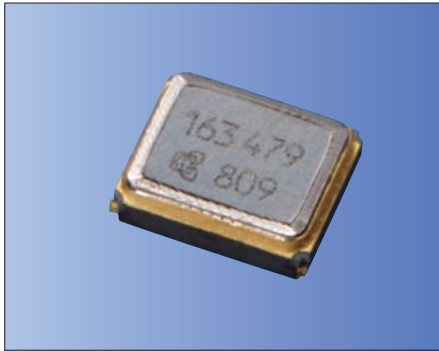


# Temperature Compensated Crystal Oscillators (TCXO) Surface Mount Type TCXO (LSI Type) KT2016 Series



2.0×1.6mm



Ph Free

RoHS Compliant

## Features

- Ultra-miniature SMD type (2.0×1.6×0.75mm)
- AFC function available
- Frequency stability:  $\pm 2.0 \times 10^{-6} / -30$  to  $+85^\circ\text{C}$
- 1.7 to 3.5V drive available
- Reflow compatible

## Applications

- 3G (CDMA, W-CDMA), GPRS, GSM

## How to Order

KT2016Y 26000 D C W 28 T xx  
① ② ③ ④ ⑤ ⑥ ⑦ ⑧

① Series

② Output Frequency

③ Frequency Tolerance

B	$\pm 1.0 \times 10^{-6}$
C	$\pm 1.5 \times 10^{-6}$
D	$\pm 2.0 \times 10^{-6}$

④ Lower Operating Temp.

C	$-30^\circ\text{C}$
E	$-20^\circ\text{C}$
G	$-10^\circ\text{C}$

⑤ Upper Operating Temp.

W	$+85^\circ\text{C}$
V	$+80^\circ\text{C}$
U	$+75^\circ\text{C}$

⑥ Supply Voltage

28	2.8V	30	3.0V
----	------	----	------

⑦ Voltage Control Range

TCXO	T
VCTCXO	Customer Spec.

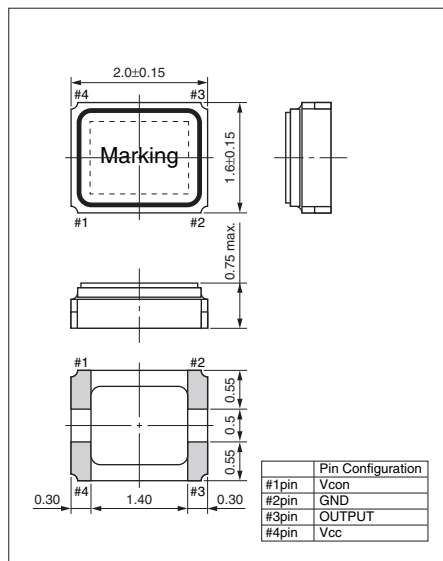
⑧ Option Code

## Specifications

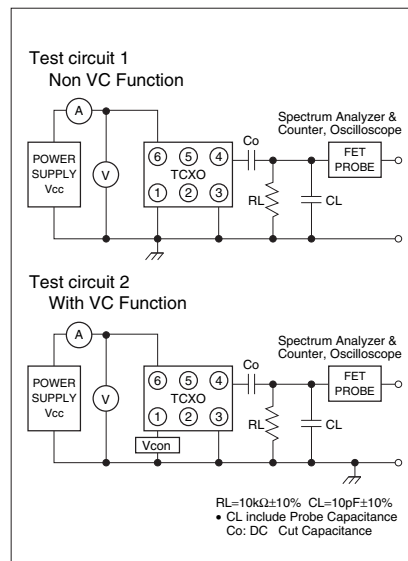
Item	Symbol	Conditions	Min.	Max.	Units
Output Frequency Range	$f_o$	Standard Frequency: 13, 19.2, 26, 38.4, 52	13	52	MHz
Frequency Tolerance	$f_{tol}$	vs Temperature	-2	+2	$\times 10^{-6}$
		vs Load	-0.1	+0.1	
		vs Voltage	-0.2	+0.2	
Frequency Aging	$f_{age}$	Per Year	-1	+1	$\times 10^{-6}$
Storage Temperature Range	$T_{stg}$		-40	+85	$^\circ\text{C}$
Operating Temperature Range	$T_{use}$		-30	+85	$^\circ\text{C}$
Voltage Control Range	$f_{cont}$	Positive	$\pm 8$	$\pm 15$	$\times 10^{-6}$
Supply Voltage	$V_{CC}$		1.7	3.5	V
Output Level	$V_{pp}$	10k ohm // 10pF	0.8	—	Vp-p
Current Consumption	$I_{CC}$		—	2	mA
Harmonics	—		—	-5	dBc

## Dimensions

(Unit: mm)



## Test Circuit



## Recommended Land Pattern

(Unit: mm)

