

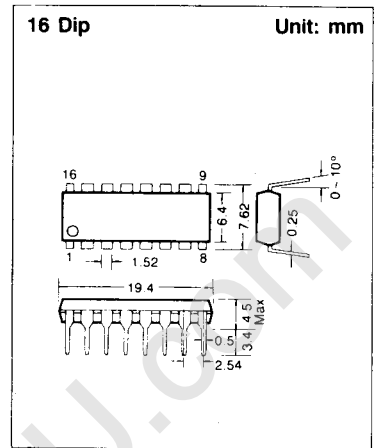
Hex Bus-Drivers with 3-State Outputs

These high-speed Hex bus drivers are designed specifically to improve both the performance and density of 3-state memory address drivers, clock drivers, and bus-oriented receivers and transmitters.

The '365 and '366 have two output enables ($\bar{G}1$ and $\bar{G}2$) NOR'ed together to control all six gates. The '367 and '368 have two output enables which are configured so that one enable ($\bar{G}1$) controls four gates and the other ($\bar{G}2$) controls the remaining two gates. The '366 and '368 have inverting data paths. The '365 and '367 have noninverting data paths.

These devices provide speeds and drive capability equivalent to their ALSTTL counterparts and yet maintain CMOS power levels. The input and output voltage levels allow direct interface with TTL, NMOS and CMOS devices without any external components.

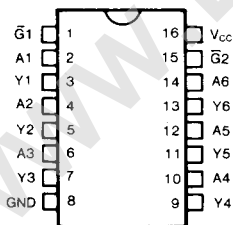
All inputs and outputs are protected from damage due to static discharge by internal diode clamps to V_{CC} and ground.



FEATURES

- Function, pin-out, speed and drive compatibility with 54/74ALS logic family
- Low power consumption characteristic of CMOS
- 3-State outputs with high drive current
 ($I_{OL} = 24 \text{ mA} @ V_{OL} = 0.5V$) for direct bus interface
- Inputs and outputs interface directly with TTL, NMOS and CMOS devices
- Wide operating voltage range: 4.5V to 5.5V
- Characterized for operation over industrial and military temperature ranges:
 KS74AHCT: -40°C to $+85^{\circ}\text{C}$
 KS54AHCT: -55°C to $+125^{\circ}\text{C}$

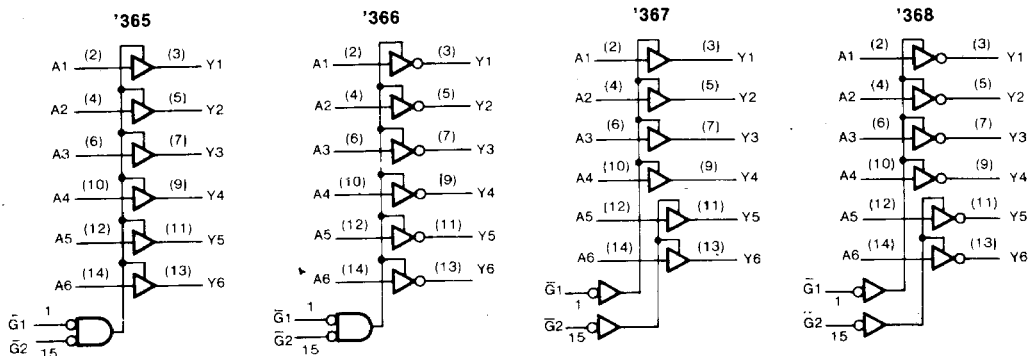
PIN CONFIGURATION



FUNCTION TABLE

'365 and '356					'367 and '368			
Inputs		Y Outputs			Inputs		Y Outputs	
$\bar{G}1$	$\bar{G}2$	A	'365	'366	$\bar{G}1$ & $\bar{G}2$	A	'367	'368
L	L	L	L	H	L	L	H	H
L	L	H	H	L	L	H	H	L
H	X	X	Z	Z	H	X	Z	Z
X	H	X	Z	Z				

LOGIC DIAGRAM



ABSOLUTE MAXIMUM RATINGS*

Characteristic	Symbol	Ratings	Unit
Supply Voltage Range	V_{CC}	-0.5 to +7.0	V
DC Input Diode Current ($V_I < -0.5V$ or $V_I > V_{CC} + 0.5V$)	I_{IK}	± 20	mA
DC Output Diode Current ($V_O < -0.5V$ or $V_O > V_{CC} + 0.5V$)	I_{OK}	± 20	mA
Continuous Output Current Per Pin ($-0.5V < V_O < V_{CC} + 0.5V$)	I_O	± 70	mA
Continuous Current Through V_{CC} or GND pins		± 250	mA
Power Dissipation Per Package	P_d^\dagger	500	mW
Storage Temperature Range	T_{stg}	-65 to +150	°C

* Absolute Maximum Ratings are those values beyond which permanent damage to the device may occur. These are stress ratings only and functional operation of the device at or beyond them is not implied. Long exposure to these conditions may affect device reliability.

† Power Dissipation temperature derating:
 Plastic Package (N): -12mW/°C from 65°C to 85°C
 Ceramic Package (J): -12mW/°C from 100°C to 125°C

RECOMMENDED OPERATING CONDITIONS

Characteristic	Symbol	Value			Unit
		Min	Typ	Max	
Supply Voltage	V _{CC}	4.5	5.0	5.5	V
DC Input & Output Voltages*	V _{IN} , V _{OUT}	0		V _{CC}	V
Operating Temperature Range	KS74AHCT KS54AHCT	T _A	-40 -55	+85 +125	°C °C
Input Rise & Fall Times	t _r , t _f			500	ns

* Unused inputs must always be tied to an appropriate logic voltage level (either V_{CC} or GND)

DC ELECTRICAL CHARACTERISTICS (V_{CC}=5V±10% Unless Otherwise Specified)

Characteristic	Symbol	Test Conditions	T _A = 25°C		KS74AHCT	KS54AHCT	Unit
					T _A = -40°C to +85°C	T _A = -55°C to +125°C	
			Typ	Guaranteed Limits			
Minimum High-Level Input Voltage	V _{IH}			2.0	2.0	2.0	V
Maximum Low-Level Input Voltage	V _{IL}			0.8	0.8	0.8	V
Minimum High-Level Output Voltage	V _{OH}	V _{IN} =V _{IH} or V _{IL} I _O =-20μA I _O =-6mA	V _{CC} 4.2	V _{CC} -0.1 3.98	V _{CC} -0.1 3.84	V _{CC} -0.1 3.7	V
Maximum Low-Level Output Voltage	V _{OL}	V _{IN} =V _{IH} or V _{IL} I _O =20μA I _O =12mA I _O =24mA	0	0.1 0.26 0.39	0.1 0.33 0.5	0.1 0.4	V
Maximum Input Current	I _{IN}	V _{IN} =V _{CC} or GND		±0.1	±1.0	±1.0	μA
Maximum 3-State Leakage Current	I _{OZ}	Output Enable = V _{IH} V _{OUT} =V _{CC} or GND		±0.5	±5.0	±10.0	μA
Maximum Quiescent Supply Current	I _{CC}	V _{IN} =V _{CC} or GND I _{OUT} =0μA		8.0	80.0	160.0	μA

AC ELECTRICAL CHARACTERISTICS (Input $t_r, t_f \leq 2$ ns), AHCT365, AHCT367

Characteristic	Symbol	Conditions†	T _A = 25°C	KS74AHCT	KS54AHCT	Unit	
			V _{CC} = 5.0V	T _A = -40°C to +85°C V _{CC} = 5.0V ± 10%	T _A = -55°C to +125°C V _{CC} = 5.0V ± 10%		
			Typ	Guaranteed Limits			
Maximum Propagation Delay, A to Y	t _{PLH}	C _L = 50pF	7	12	14	ns	
		C _L = 150pF	13	21	25		
	t _{PHL}	C _L = 50pF	7	12	14		
		C _L = 150pF	13	21	25		
Maximum Output Enable Time, \bar{G} to Y	t _{PZH}	R _L = 1kΩ	C _L = 50pF	14	23	28	ns
			C _L = 150pF	20	32	39	
	t _{PZL}	R _L = 1kΩ	C _L = 50pF	14	23	28	
			C _L = 150pF	20	32	39	
Maximum Output Disable Time, \bar{G} to Y	t _{PHZ}	R _L = 1kΩ	8	13	16	ns	
	t _{PLZ}	C _L = 50pF	8	13	16		
Maximum Input Capacitance	C _{IN}		5			pF	
Maximum Output Capacitance	C _{OUT}	Output Disabled	10			pF	
Power Dissipation Capacitance* (per driver)	C _{PD}	$\bar{G} = V_{CC}$	5			pF	
		$\bar{G} = GND$	30				

* C_{PD} determines the no-load dynamic power dissipation: P_D = C_{PD} V_{CC}² f + I_{CC} V_{CC}.

† For AC switching test circuits and timing waveforms see section 2.

AC ELECTRICAL CHARACTERISTICS (Input $t_r, t_f \leq 2$ ns), AHCT366, AHCT368

Characteristic	Symbol	Conditions†	T _A = 25°C	KS74AHCT	KS54AHCT	Unit	
			V _{CC} = 5.0V	T _A = -40°C to +85°C V _{CC} = 5.0V ± 10%	T _A = -55°C to +125°C V _{CC} = 5.0V ± 10%		
			Typ	Guaranteed Limits			
Maximum Propagation Delay, A to Y	t _{PLH}	C _L = 50pF	6	10	12	ns	
		C _L = 150pF	12	19	23		
	t _{PHL}	C _L = 50pF	6	10	12		
		C _L = 150pF	12	19	23		
Maximum Output Enable Time, \bar{G} to Y	t _{PZH}	R _L = 1kΩ	C _L = 50pF	14	23	28	ns
			C _L = 150pF	20	32	39	
	t _{PZL}	R _L = 1kΩ	C _L = 50pF	14	23	28	
			C _L = 150pF	20	32	39	
Maximum Output Disable Time, \bar{G} to Y	t _{PHZ}	R _L = 1kΩ	8	13	16	ns	
	t _{PLZ}	C _L = 50pF	8	13	16		
Maximum Input Capacitance	C _{IN}		5			pF	
Maximum Output Capacitance	C _{OUT}	Output Disabled	10			pF	
Power Dissipation Capacitance* (per driver)	C _{PD}	$\bar{G} = V_{CC}$	5			pF	
		$\bar{G} = GND$	30				

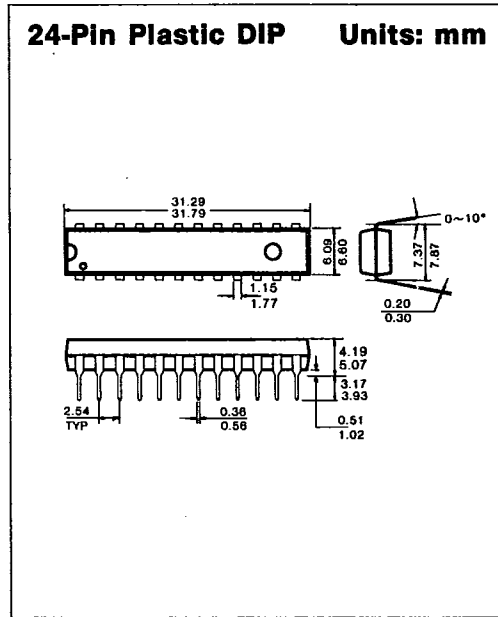
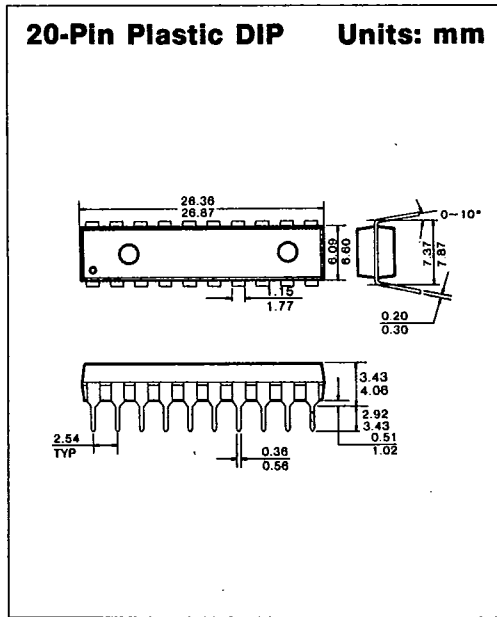
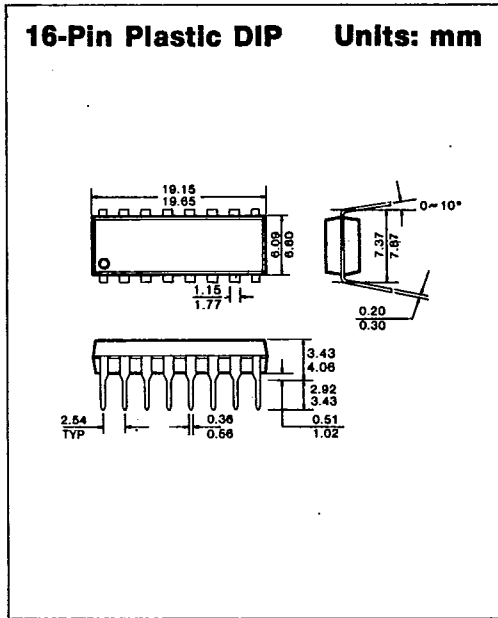
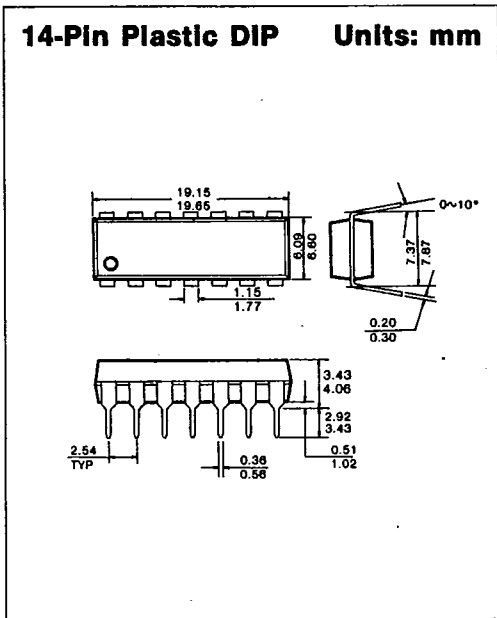
* C_{PD} determines the no-load dynamic power dissipation: P_D = C_{PD} V_{CC}² f + I_{CC} V_{CC}.

† For AC switching test circuits and timing waveforms see section 2.

PACKAGE DIMENSIONS

T-90-20

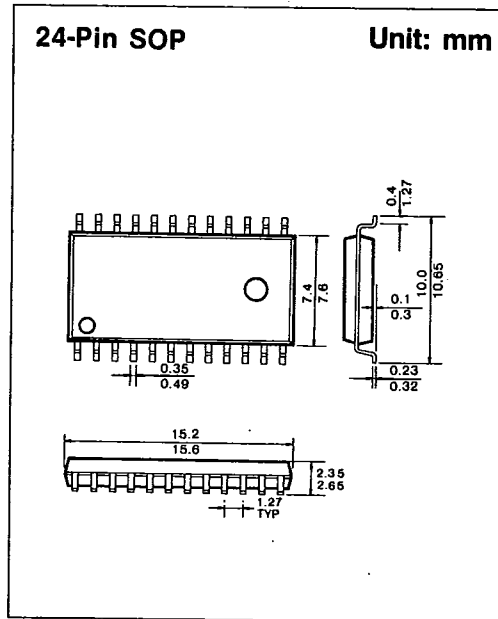
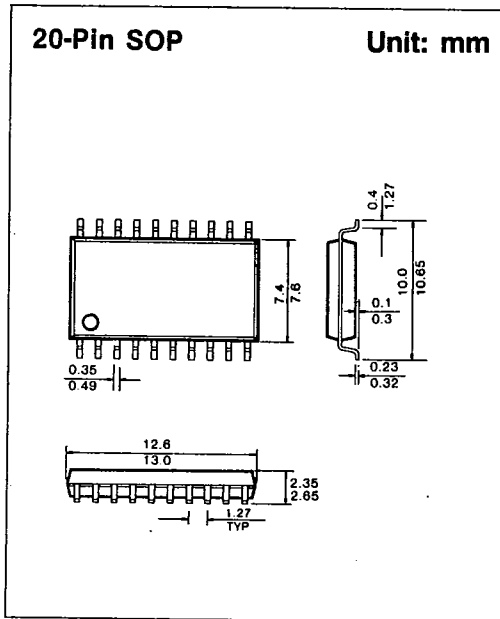
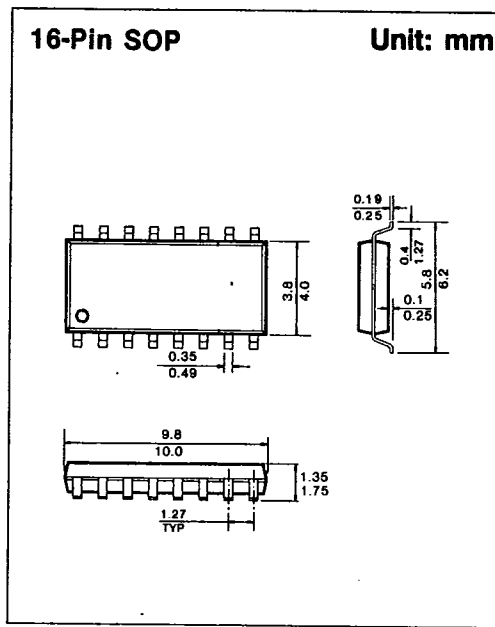
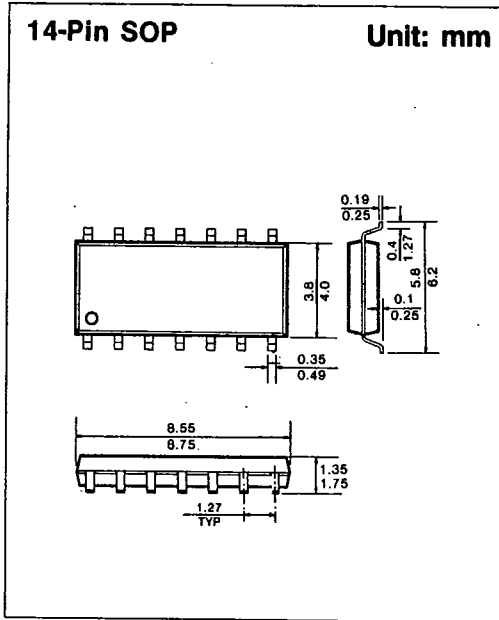
1. PLASTIC PACKAGES



7

PACKAGE DIMENSIONS

T-90-20

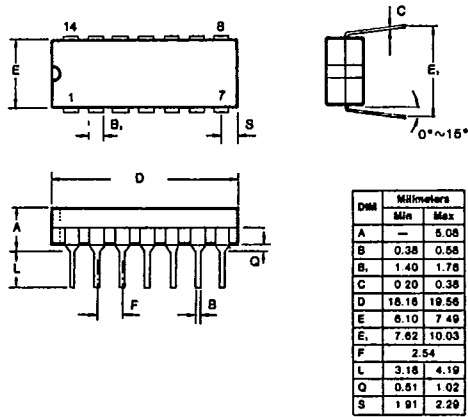


PACKAGE DIMENSIONS

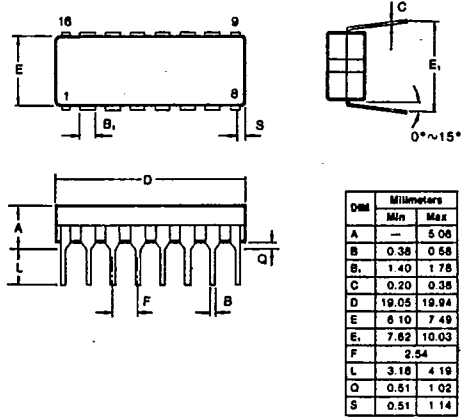
T-90-20

2. CERAMIC PACKAGES

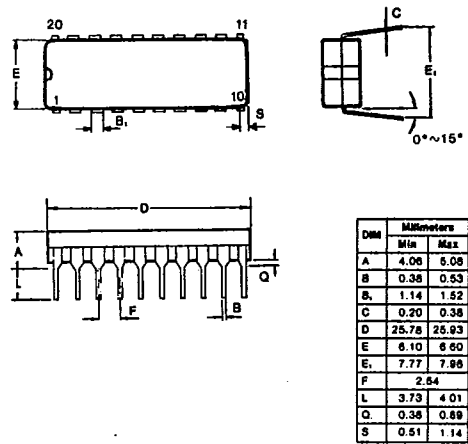
14-Pin Ceramic DIP Units: mm



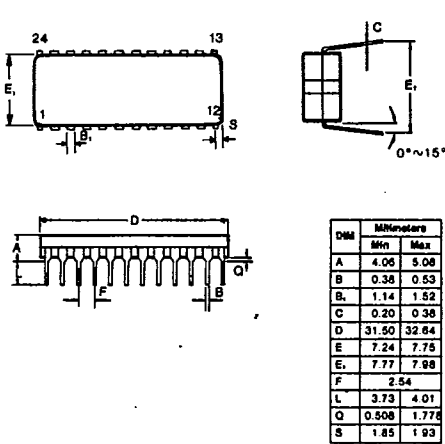
16-Pin Ceramic DIP Units: mm



20-Pin Ceramic DIP Units: mm



24-Pin Ceramic DIP Units: mm



7