

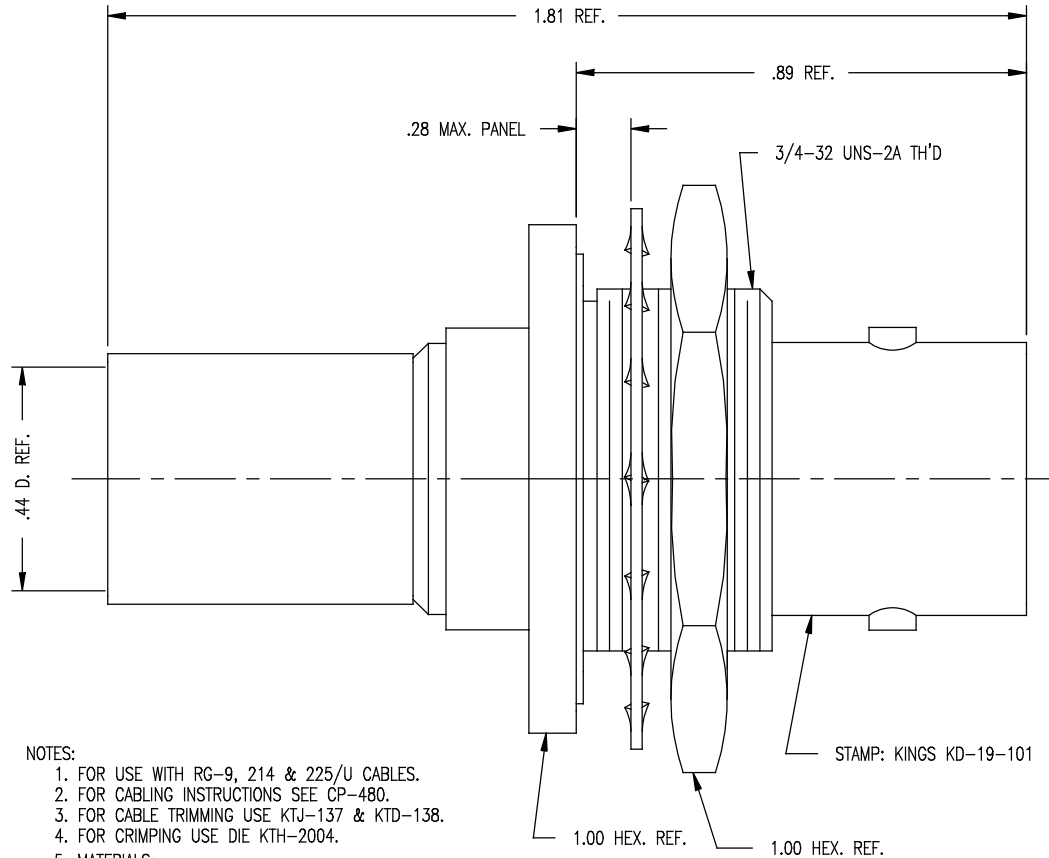
DASH NO.	M CODE	MADE FROM
----------	--------	-----------

GSD

KD-19-101

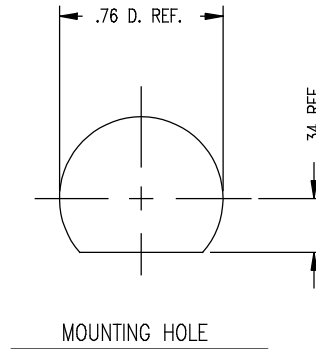
REVISIONS

ISSUE	CHANGES
1	CN 33027 A REDRAWN KH 04/16/91
2	CN 33220 C KH 08/19/91



NOTES:

- FOR USE WITH RG-9, 214 & 225/U CABLES.
- FOR CABLING INSTRUCTIONS SEE CP-480.
- FOR CABLE TRIMMING USE KTJ-137 & KTD-138.
- FOR CRIMPING USE DIE KTH-2004.
- MATERIALS:  
INSULATOR-TEFLON, ASTM-D-1457  
CENTER CONTACT-BER. COP., ASTM-B-196  
LOCKWASHER-PHOSPHOR BRONZE, QQ-B-750  
GASKET-SILICONE RUBBER, ZZ-R-765  
K-GRIP SLEEVE-COMMERCIAL BRONZE, ALLOY 220  
ALL OTHER METAL PARTS-BRASS, QQ-B-626
- FINISHES:  
CENTER CONTACT-GOLD PLATE PER MIL-G-45204  
ALL OTHER METAL PARTS-SILVER PLATE PER QQ-S-365
- ELECTRICAL CHARACTERISTICS:  
NOMINAL IMPEDANCE-50 HOMS  
FREQUENCY RANGE-DC TO 11  
WORKING VOLTAGE-1000 VRMS



GSD

KAM1061

SCALE 4:1

APPROX SURFACE AREA

USED ON

REF: PAN 6442C-XS

JACK, BKHD, C

DRAWN KH DATE 04/16/91

DESIGN AT DATE 04/29/91

APPR. DATE

**KINGS**  
ELECTRONICS CO., INC.  
TUCKAHOE, NEW YORK 10707

KD-19-101