

EM3227 Series Euro-Mag Terminal Blocks

35° Angle, 7.50 Centers; Modular

SPECIFICATIONS

Rating: 16A, 300V

Center Spacing: .295" (7.50 mm)

Consult factory for .400" (10.16 mm)

Wire Range: #14-24 AWG

Housing Material: UL rated 94V0 Thermoplastic

Contact Material: Brass Tin Plated

Cage Clamp: Brass, Nickel Plated

Screw Size: M2.6 Nickel Plated Steel

Operating Temperature: 105°C (221°F) max., -40°C (-40°F) min.

Torque Rating: 5.0 in-lb.

Recommended PCB Hole Diameters: .055" (1.40)

Construction: Modular design features dove-tails for interlocking to achieve longer lengths

Agency Information: UL/CSA; CE Certified

EM322705

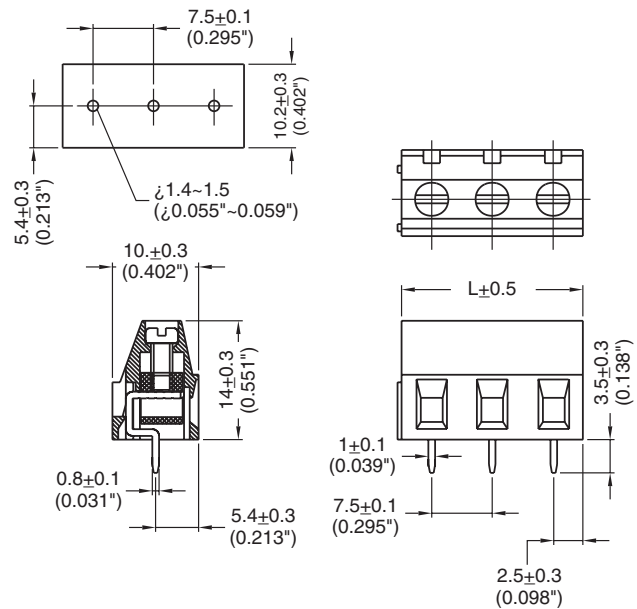


TABLE A

Poles	L (mm)	Poles	L (mm)
2	15.00	14	105.00
3	22.50	15	112.50
4	33.00	16	120.00
5	37.50	17	127.50
6	45.00	18	133.00
7	52.50	19	142.50
8	60.00	20	150.00
9	67.50	21	157.50
10	75.00	22	165.00
11	82.50	23	172.50
12	90.00	24	180.00
13	97.50		

To convert to inches, divide by 25.4

Part Numbering System

Series

of Poles

EM3227

□□

02 to 24