

EM2507 Series
Euro-Mag Terminal Blocks
 7.50 Centers; Modular

SPECIFICATIONS

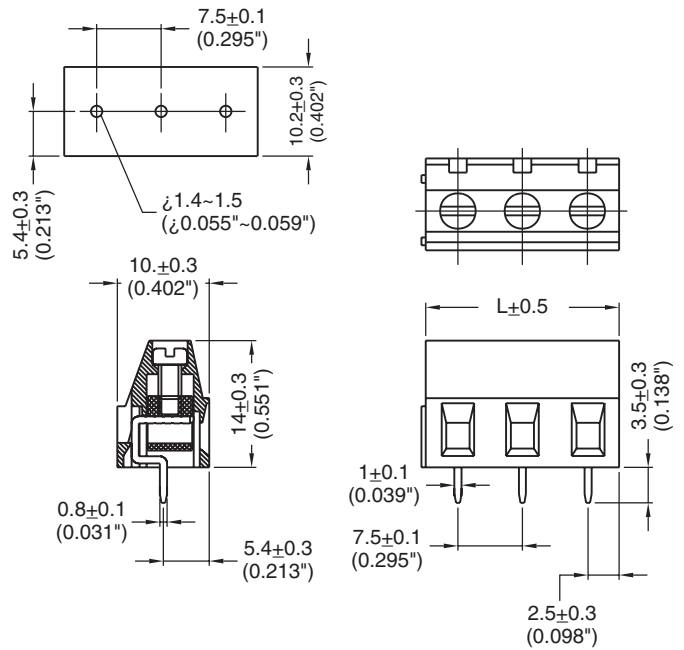
Rating: 16A, 300V
Center Spacing: .295" (7.50)
Wire Range: #14-22 AWG
Housing Material: UL rated 94V0 Thermoplastic
Contact Material: Brass Tin Plated
Cage Clamp: Brass, Nickel Plated
Screw Size: M2.6 Nickel Plated Steel
Operating Temperature: 105°C (221°F) max., -40°C (-40°F) min.
Torque Rating: 5.0 in-lb.
Recommended PCB Hole Diameters: .055" (1.40)
Construction: Modular design features dove-tails for interlocking to achieve longer lengths
Agency Information: UL/CSA; CE Certified

EM250705

TABLE A

Poles	L (mm)	Poles	L (mm)
2	15.00	14	105.00
3	22.50	15	112.50
4	33.00	16	120.00
5	37.50	17	127.50
6	45.00	18	133.00
7	52.50	19	142.50
8	60.00	20	150.00
9	67.50	21	157.50
10	75.00	22	165.00
11	82.50	23	172.50
12	90.00	24	180.00
13	97.50		

To convert to inches, divide by 25.4



Euro-MAG Series
PCB - Cage Clamp

Part Numbering System

Series # of Poles

EM2507

02 to 24