

Specification

Non Dimmable Light Bulb (White Body)

Series BUBOE27160XX05

Version 1.1

Date 2011/12/20

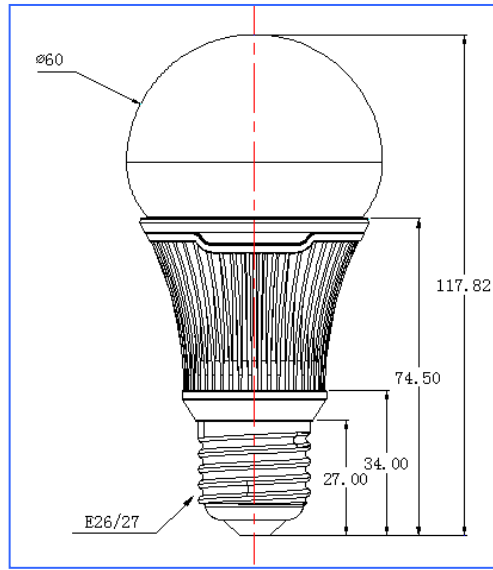
LED Non Dimmable Light Bulb (White Body 6W 2700K)**BUBOE27160CG05 BUBOE27160NF05 BUBOE27160WF05****Features:**

- E26/27 Base
- Input Voltage: 100~240V
- CCT: 2700K、4200K、6000K
- Long life span and low maintenance cost.
- No ultraviolet light or infrared light spectrums
- RoHS compliant and Mercury-free

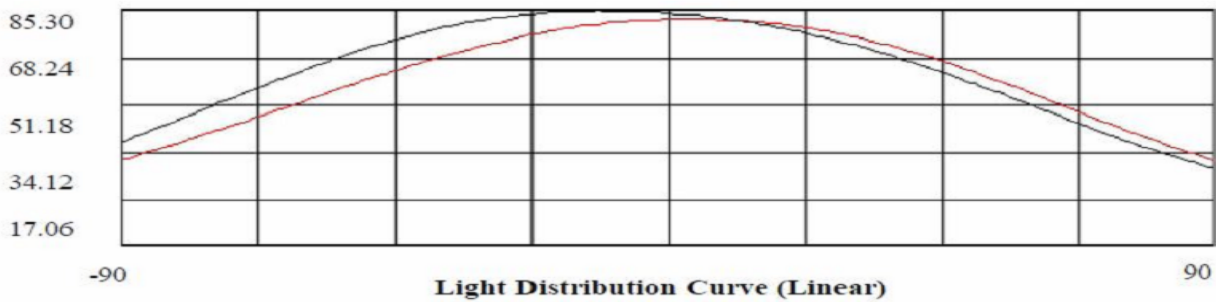
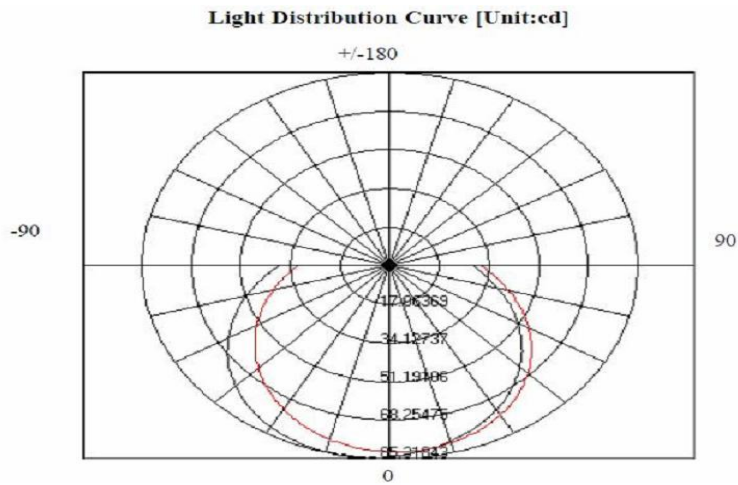
**Specification:**

Part Number	BUBOE27160WF05	BUBOE27160NF05	BUBOE27160CG05
Input Voltage	100~240V		
Input Current	510-560mA		
Power Consumption	6W		
Power Factor	50%		
CCT	2760 ~ 2960K	3920 ~ 4600K	5450 ~ 6650K
Illuminance	400 Lm	430 Lm	450 Lm
Efficiency	66 Lm/W	71 Lm/W	75 Lm/W
CRI	80	75	75
Viewing Angle	270°		
LED Type	SMD285		
LED Quantity	18PCS		
Case Temperature (Ts)	59°C		
Life-Span	20,000hr		
Operating Temperature	-20~55°C		
Operating Humidity	≤90%		
Storage Temperature	-40~60°C		
Material	Glass/Al Alloy (White)		
Dimension	117.82*D60mm		
Weight	93g		

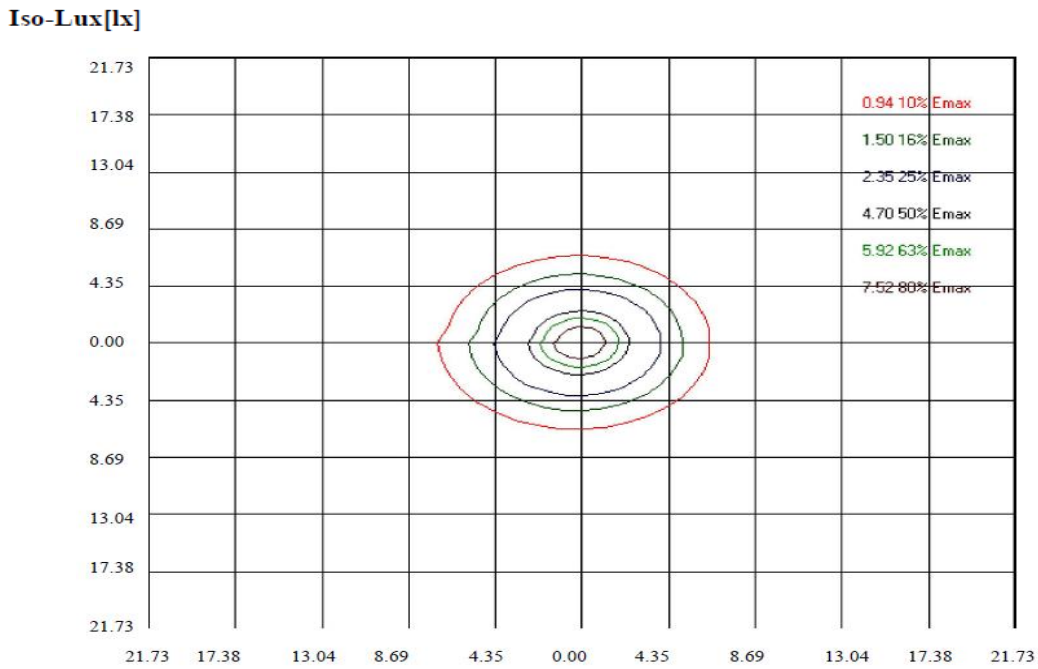
Dimension:



Lighth Distribution Curve:



Luminous Intensity Distribution Curve (2700K):



Height: 3 m

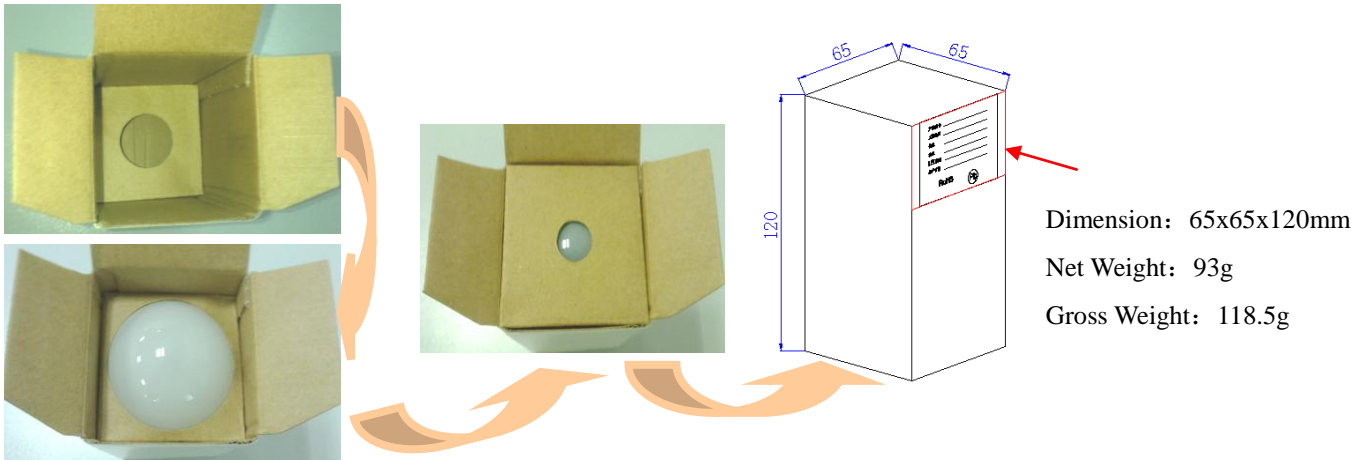
Max Illuminance: 9.395 lx

Illuminance Distribution (2700K):

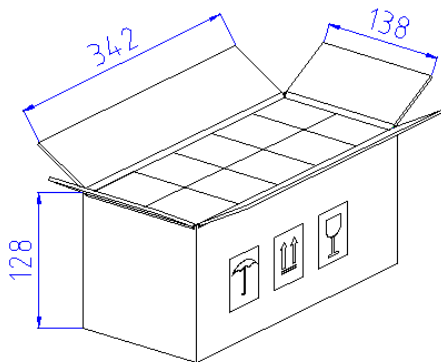
H[m]	Diameter[m]	Illuminance[lx]
0.60	5.18	234.2
1.20	10.35	58.5
1.80	15.53	26.0
2.40	20.71	14.6
3.00	25.89	9.4

Packing:

Light Bulb is packaged individually in carton box. The spec label is placed on the top of the box (50*50mm). The label is aligned with the edge of the box.



One inner box contains 10 pcs cartons. An outer box contains 10 pcs of inner boxes (5 pcs on bottom and 5 pcs on top separated by a partition in the middle). The labels are placed on the outer boxes (100x70mm). Every outer box corner has to be reinforced.

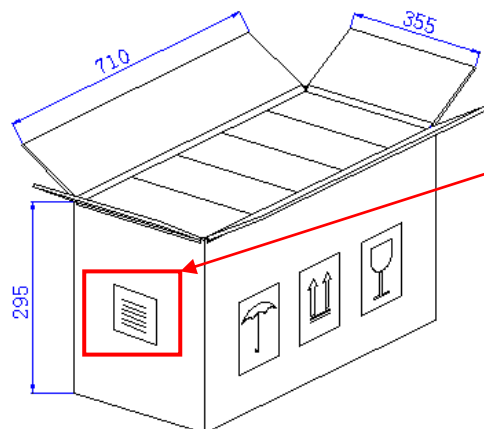


Inner Box Dimension: 342x138x128mm

Quantity: 10 PCS

Net Weight: 0.93 Kg

Gross Weight: 1.30 Kg



Outer box label

Outer Box Dimension: 710x355x295mm

Quantity: 100 PCS

Net Weight: 9.3 Kg

Gross Weight: 16.27 Kg



Protective Corner Dimension:

50x50x715mm 4PCS

50x50x375mm 4PCS

50x50x310mm 4PCS

50x50x54mm 8PCS

Packaging ribbon wraps around the longer side



Caution

1. Please ensure the input voltage at the operating voltage range before connecting LED bulb. Otherwise, the LED bulb may be damaged by the inappropriate input.
2. When power is up, please do not touch the metal base or you may be in danger of electric shock.
3. Before unpacking, please check for any damage on the bulb. If damages are found, please contact your supplier for replacement.
4. Please follow the manual closely and carefully for safety and quality issue.
5. Before the installation, please ensure that the installation location can support 10X or more the weight of the bulb. The bulb should be installed at an un-shaking and un-inflammable place.
6. During operation, the bulb's operating temperature may up to 55°C, so please keep the bulb away from the flammable place.
7. If the bulb is operated in an environment that is higher than 55°C, its lifespan will decrease. Please keep the operating temperature around 25°C so the lifespan stays at the specific range.
8. Please do not frequently power on and off in a short period of time, otherwise it may damage the bulb.

Note: All contents are subjected to change without notice

Revision History:

Description:	Revision #	Revision Date
New Release of 6W Non Dimmable White Body Light Bulb	V1.0	12/06/2011
Update Format	V1.1	12/20/2011

**Disclaimer**

QT-BRIGHTTEK reserves the right to make changes without further notice to any products herein to improve reliability, function or design. QT-BRIGHTTEK does not assume any liability arising out of the application or use of any product or circuit described herein; neither does it convey any license under its patent rights, nor the rights of others.

Life Support Policy

QT-BRIGHTTEK's products are not authorized for use as critical components in life support devices or systems without the express written approval of QT-BRIGHTTEK. As used herein:

1. Life support devices or systems are devices or systems which, (a) are intended for surgical implant into the body, or (b) support or sustain life, and (c) whose failure to perform when properly used in accordance with instructions for use provided in the labeling, can be reasonably expected to result in a significant injury of the user.
2. A critical component in any component of a life support device or system whose failure to perform can be reasonably expected to cause the failure of the life support device or system, or to affect its safety or effectiveness.