

SCALE 2 : 1

NOTES:

- 1. ALL DIMENSIONS IN MM [INCH]
- 2. GENERAL TOLERANCES: 0.0 = +/-0.4
0.00 = +/-0.25
- ▲3. MATERIAL: NYLON 4/6
- 4. ▲DENOTES CRITICAL PARAMETER

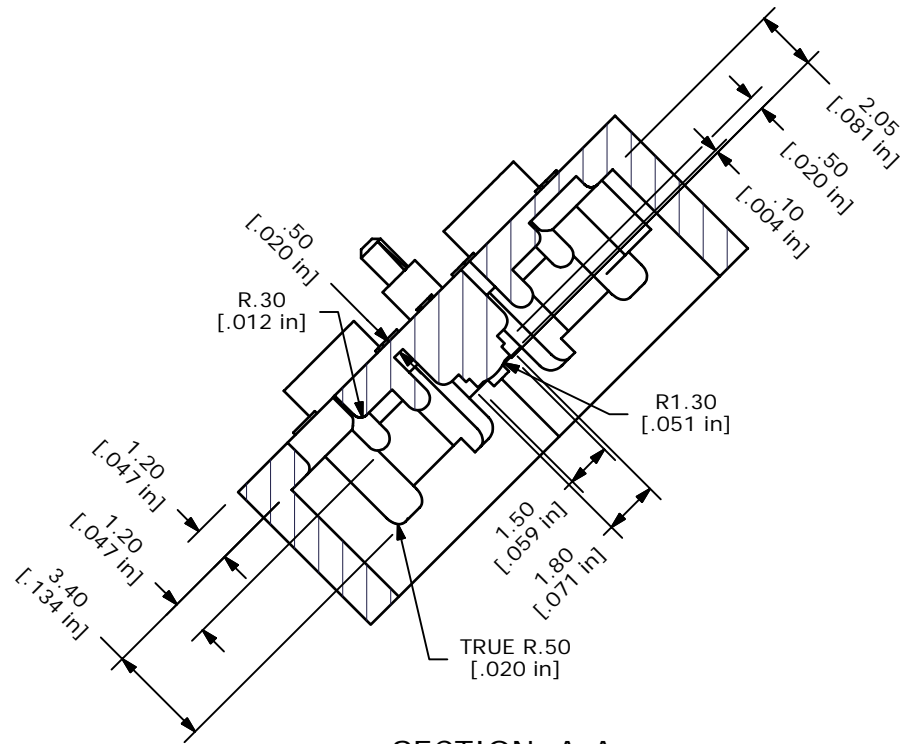
D	16138	10.60 was 10.55	6/13/06	BK
C	16133	10.55 WAS 10.50	6/12/06	BK
B	14355	REVISED AND REDRAWN	9/28/04	BK
REV	PCR NO	DESCRIPTION	DATE	BY

THE INFORMATION CONTAINED IN THIS DOCUMENT IS PROPRIETARY TO E-SWITCH AND IS NOT TO BE COPIED OR TRANSFERRED

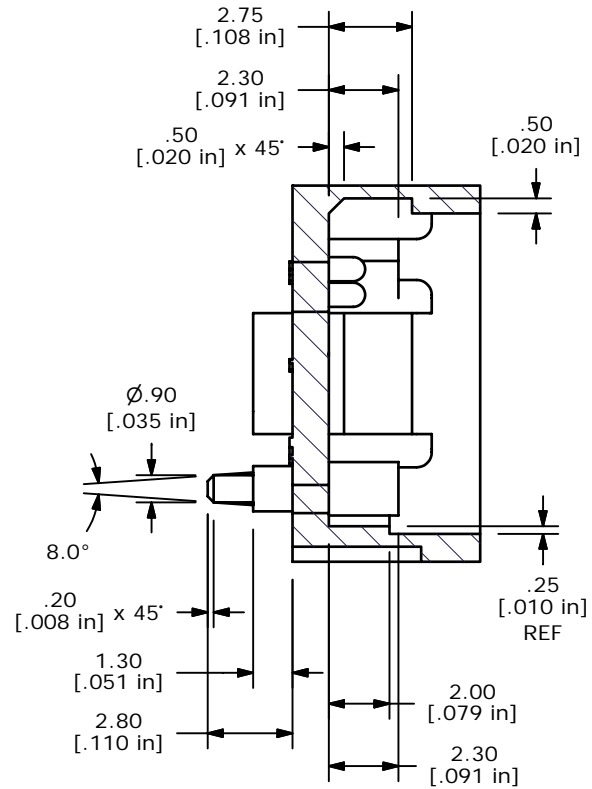


TITLE 320E11 BODY NO TERMINALS

SCALE	DATE	DR	DWG	REV
4:1	09/28/04	BK	B010002	D



SECTION A-A
SCALE 4 : 1



SECTION B-B
SCALE 4 : 1

D	16138	10.60 WAS 10.55	6/13/06	BK
C	16133	10.55 WAS 10.50	6/12/06	BK
B	14355	REVISED AND REDRAWN	9/28/04	BK
REV	PCR NO	DESCRIPTION	DATE	BY

THE INFORMATION CONTAINED IN THIS DOCUMENT IS PROPRIETARY TO E-SWITCH AND IS NOT TO BE COPIED OR TRANSFERRED

E-SWITCH®

TITLE 320E11 BODY NO TERMINALS

SCALE	DATE	DR	DWG	REV
4:1	09/28/04	BK	B010002	D