

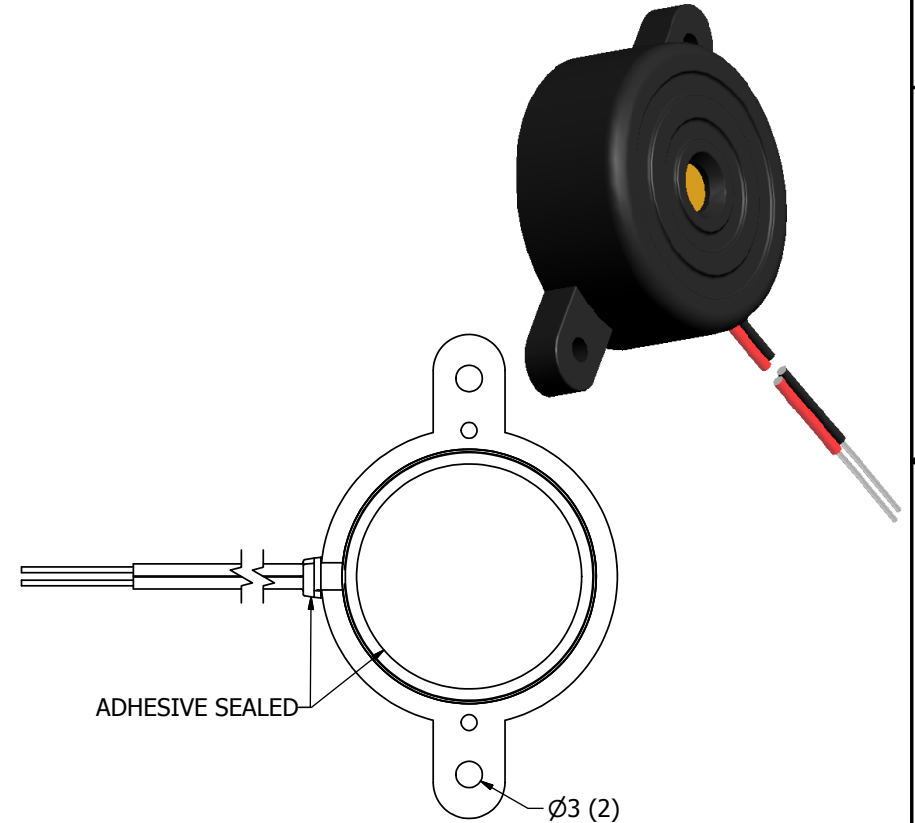
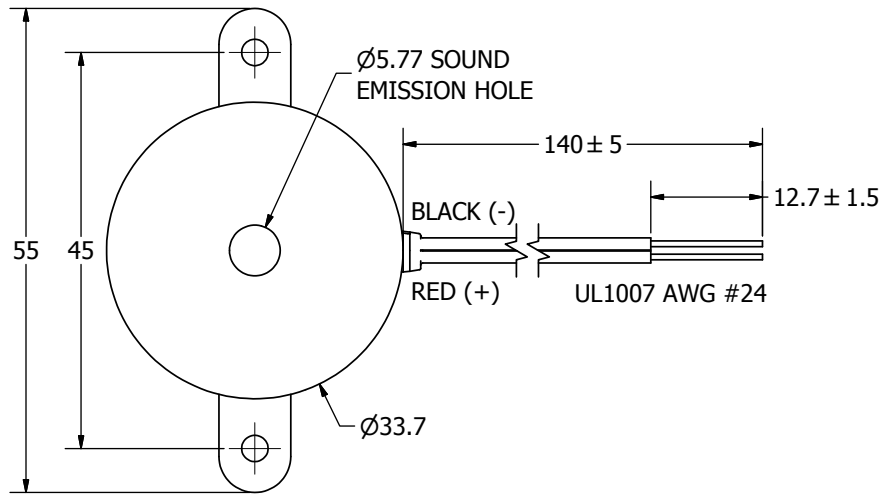
SPECIFICATIONS

| PARAMETERS | VALUES | UNITS |
|-------------------------|-------------|--------------|
| RATED VOLTAGE | 12 | Vdc |
| OPERATING VOLTAGE RANGE | 3 ~ 28 | Vdc |
| RATED CURRENT (MAX) | 5 | mA |
| MINIMUM SPL @ 10 CM | 96 | dBA |
| RESONANT FREQUENCY | 3,500 ± 500 | Hz |
| tone OR PULSE RATE | CONTINUOUS | 0 pulse /sec |
| OPERATING TEMPERATURE | -30 ~ +85 | °C |
| STORAGE TEMPERATURE | -40 ~ +95 | °C |
| HOUSING MATERIAL | ABS | - |
| TERMINAL MATERIAL | LEAD WIRE | - |
| WEIGHT | 10.2 | grams |

THIS DOCUMENT CONTAINS DATA PROPRIETARY TO PROJECTS UNLIMITED, INC. ANY USE OR REPRODUCTION, IN ANY FORM, WITHOUT PRIOR WRITTEN PERMISSION OF PROJECTS UNLIMITED, INC. IS PROHIBITED.
©2003, Projects Unlimited Inc.

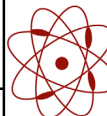
REVISION HISTORY

| LTR | DESCRIPTION | DATE | APPROVED |
|-----|--|-----------|----------|
| - | RELEASED FROM ENGINEERING | 8/15/2005 | |
| A | REVISED TO INVENTOR 3-D DRAWING TEMPLATE | 2/21/2008 | B.R. |



NOTES:

1. ALL DIMENSIONS ARE IN MILLIMETERS.
2. SPECIFICATIONS SUBJECT TO CHANGE OR WITHDRAWAL WITHOUT NOTICE.
3. THIS PART IS RoHS 2002/95/EC COMPLIANT.

| | | | | | | | | |
|--|-------------------|------------------------|-----------|--|-----------|--|-----------|------------|
| UNLESS OTHERWISE SPECIFIED: DIMENSIONS ARE IN MILLIMETERS, TOLERANCES ARE ±0.5 AND ANGLES ARE ±3°. | SIZE A3 | Designed by | Date | Checked by | Date | Approved by | Date | Drawn Date |
| | | J.A.F. | 8/15/2005 | E.P. | 8/16/2005 | B.R. | 8/16/2005 | 2/21/2008 |
| | | AI-3435-TF-LW140-R.idw | |  pui audio a projects unlimited company | | AI-3435-TF-LW140-R Indicator | | Edition |
| | | | | | | - | 1 / 1 | |