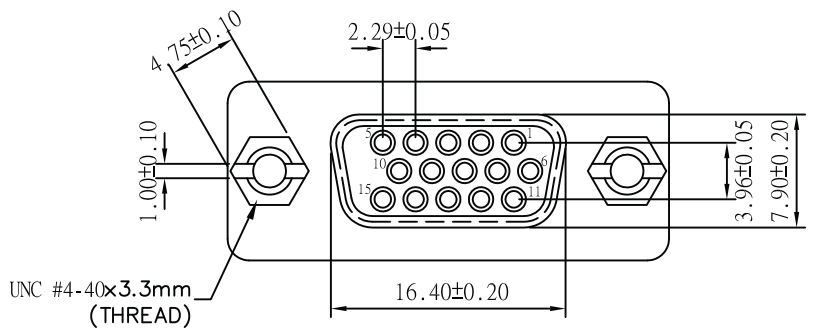
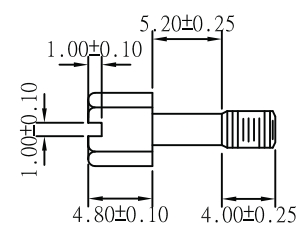


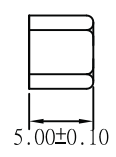
A



UNC #4-40 Hexscrew

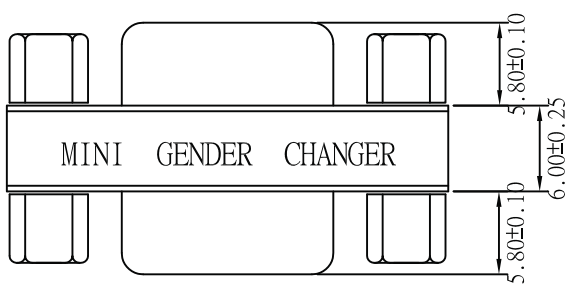


UNC #4-40 Hexnut



B

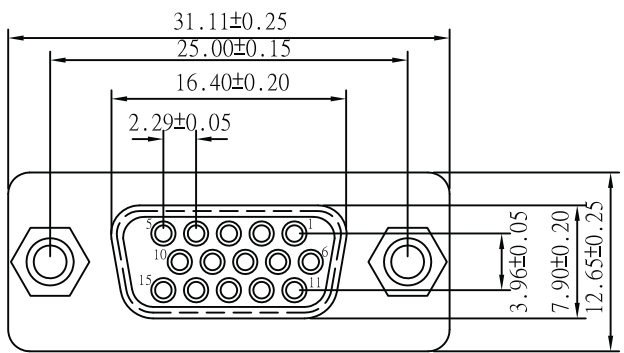
C



Pin Out	
15P-Female	15P-Female
1	1
2	2
8	8
10	10
14	14
15	15
G	G

D

E



**Material:**

- Insulator: PBT Glass fibre reinforced UL 94 V0
- Contact: Brass
- Contact plating: Gold plated over nickel
- Shell: Tin plated shell
- Yellow label with black characters

F

Unit: MM

G

Scale	1:1					Name	Item No.
TOLERANCE					Drawn	11.22.11	<b>AB420-R</b>
X.X	±0.40				Approved	Chappell	
X.XX	±0.25						
X.XXX	±0.15						
Angle	±3°						Title
							Mini Gender Changer - HD D-Sub 15 Pin Female <=> HD D-Sub 15 Pin Female
							Drawing No.
							rev00
							Replace
							Sheet



H