

40mm sq.

San Ace 40

48mm thick (CRA type), 56mm thick (CRB type)
 56mm thick (CRF type), 56mm thick (CRD type)
 56mm thick (CRE type), 56mm thick (CRA type)



General Specifications

- Material Frame: Aluminum, Impeller: Plastics (Flammability: UL94V-0)
- Expected Life Refer to specifications (L10:Survival rate:90% at 60°C , rated voltage, and continuously run in a free air state)
- Lead Wire Inlet ⊕red ⊖black (Sensor) yellow (Control) brown
 Outlet ⊕orange ⊖gray (Sensor) purple (Control) white
- Storage Temperature -30°C to +70°C (Non-condensing)

40×40×56mm (Mass : 110g) **Low vibration** **CRE type**

Specifications

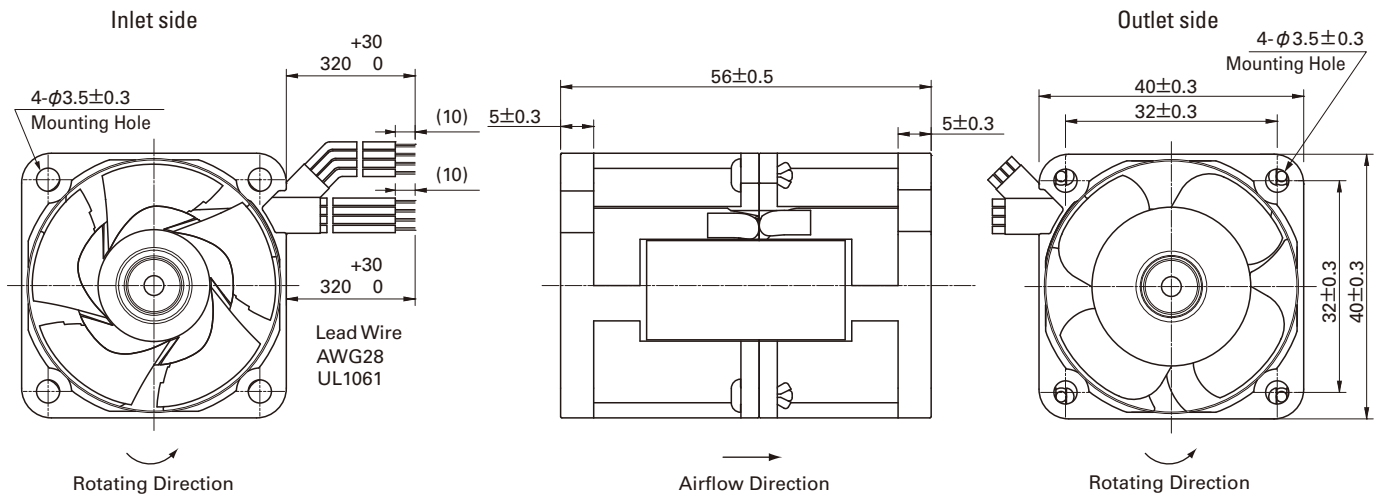
The following nos. have PWM controls and pulse sensors.

Model No.	Rated Voltage [V]	Operating Voltage Range [V]	PWM duty cycle※ [%]		Rated Current [A]	Rated Input [W]	Rated Speed [min ⁻¹]		Max. Air Flow [m ³ /min] [CFM]		Max. Static Pressure [Pa] [inchH ₂ O]		SPL [dB(A)]	Operating Temperature [°C]	Expected Life [h]
			100	0			Inlet	Outlet							
9CRE0412P5J03	12	10.8 to 13.2	100	0	1.4	16.8	15,800	12,200	0.90	31.8	570.0	2.290	62	-20 to +70	40,000
					0.1	1.2	2,850	2,250	0.12	4.2	13.7	0.055	20.5		

※PWM Frequency : 25kHz

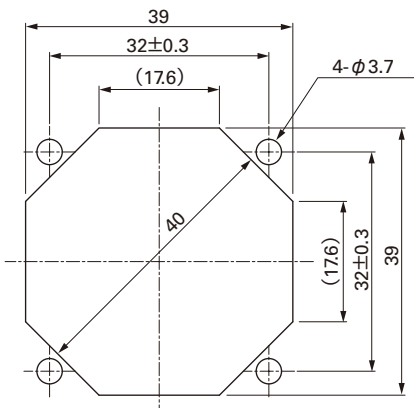
Available options: ⇒ **Without Sensor** **Pulse Sensor**

Dimensions (Unit : mm)



Reference dimension of mounting holes and vent opening (Unit : mm)

Inlet side, Outlet side

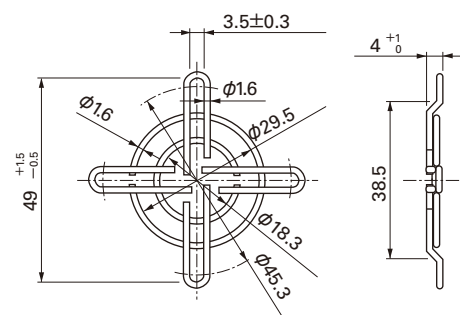


Options (Unit : mm)

Finger guards

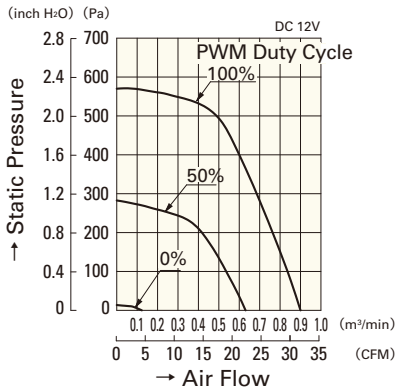
Model : 109-059 Surface treatment : Nickel-chrome plating (silver) Color

Inlet side, Outlet side



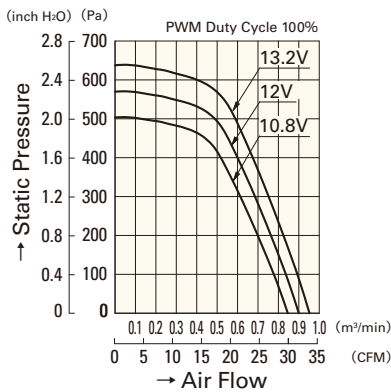
Air Flow - Static Pressure Characteristics

PWM Duty Cycle



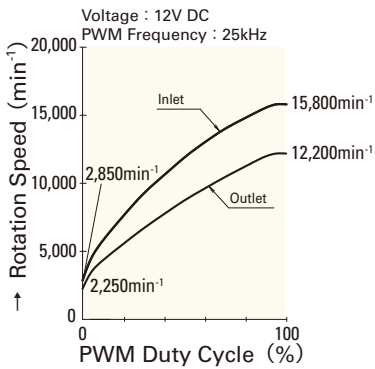
9CRE0412P5J03

Operating Voltage Range



9CRE0412P5J03

PWM Duty - Speed Characteristics Example



9CRE0412P5J03