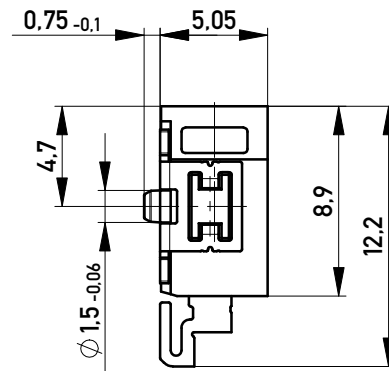
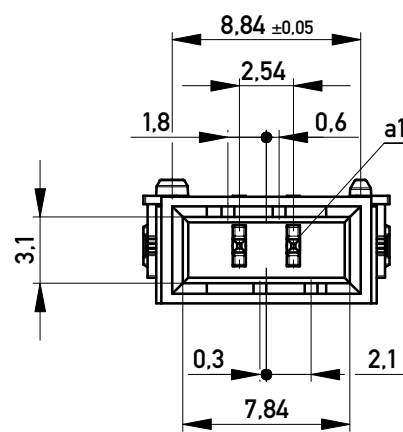
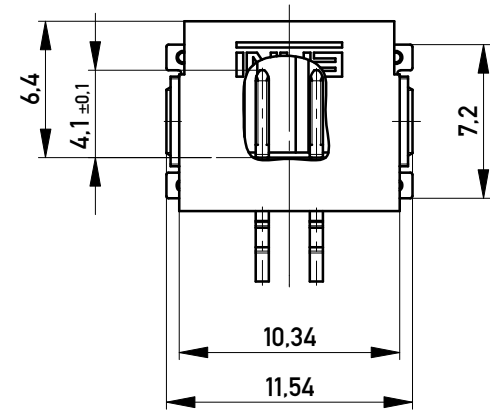
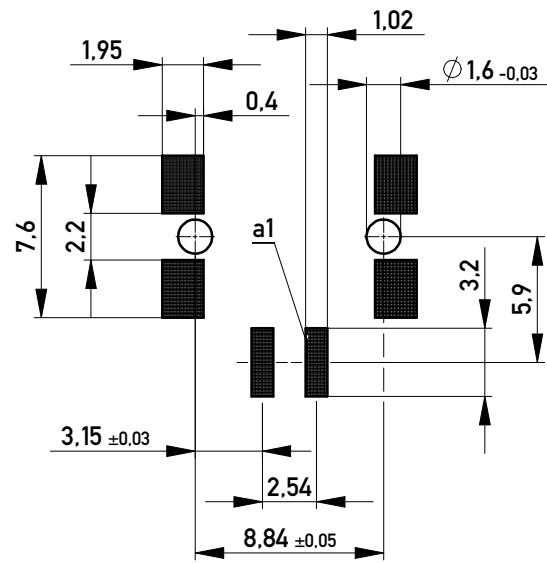


Leiterplatten-Layout Vorschlag für SMT  
PCB-Layout Proposal for SMT



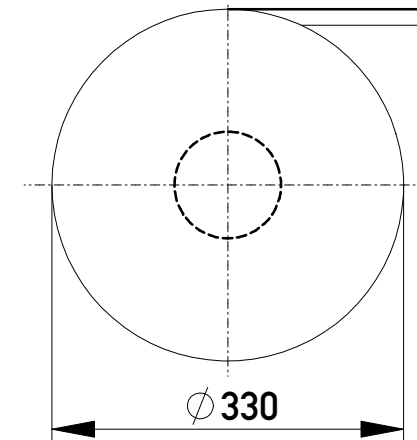
Anforderungsstufe 1  
Performance Level 1

Kontaktbereich vergoldet  
Mating Area gold plating

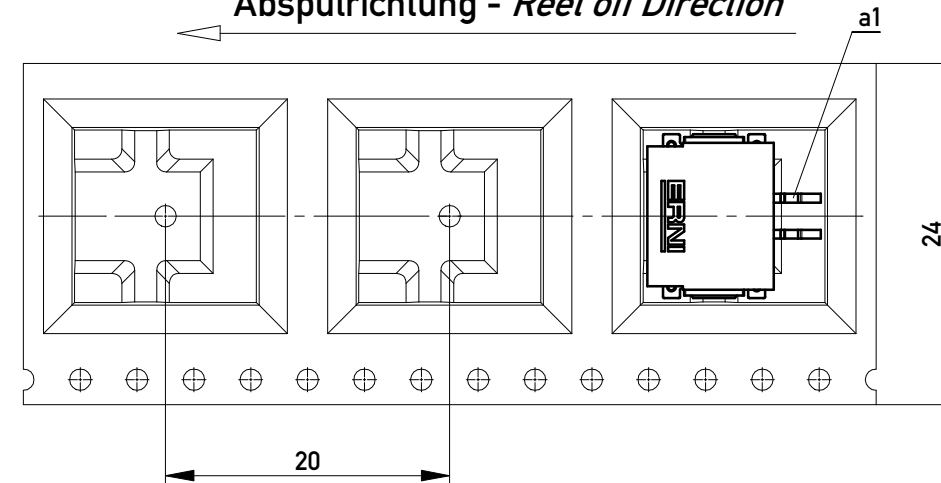
Anschlussbereich verzinkt 4-6 µm  
Terminal Area 4-6 µm tin plating

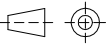

Koplanarität der Anschlüsse ≤ 0,1 mm  
Coplanarity Area of Termination ≤ 0,1 mm

Verpackt in Gurtverpackung  
Tape on Reel Packaging  
Verpackungseinheit: 440 Stück  
Packaging unit: 440 pcs



Abspulrichtung - Reel off Direction



Information: Codierung schwarz - coding black	Tolerances  All Dimensions in mm	Scale	3:1
		Designation <b>M 2,54 SRC-A, 2-polig</b>	
All rights reserved. Only for Information. To ensure that this is the latest version of this drawing, please contact one of the ERNI companies before using.	Subject to modification without prior notice. Drawing will not be updated.	 www.ERNI.com	
		g	15.04.2013
Index	Date	Class	SRCA
			A3

Copyright by ERNI GmbH  
Proprietary notice pursuant to ISO 16016 to be observed.