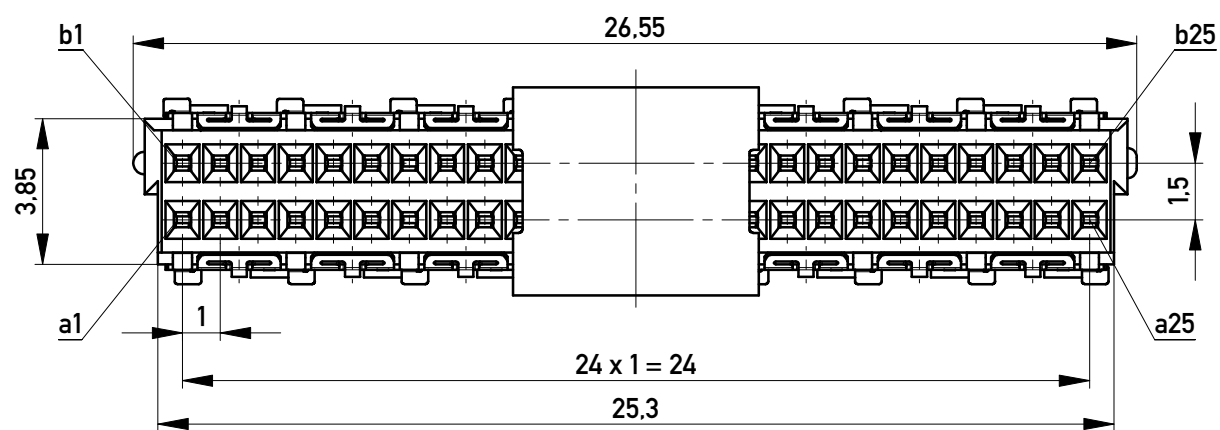
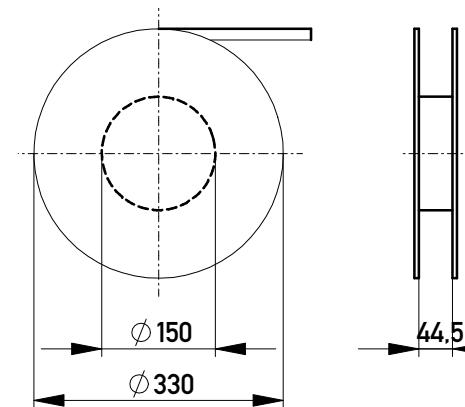
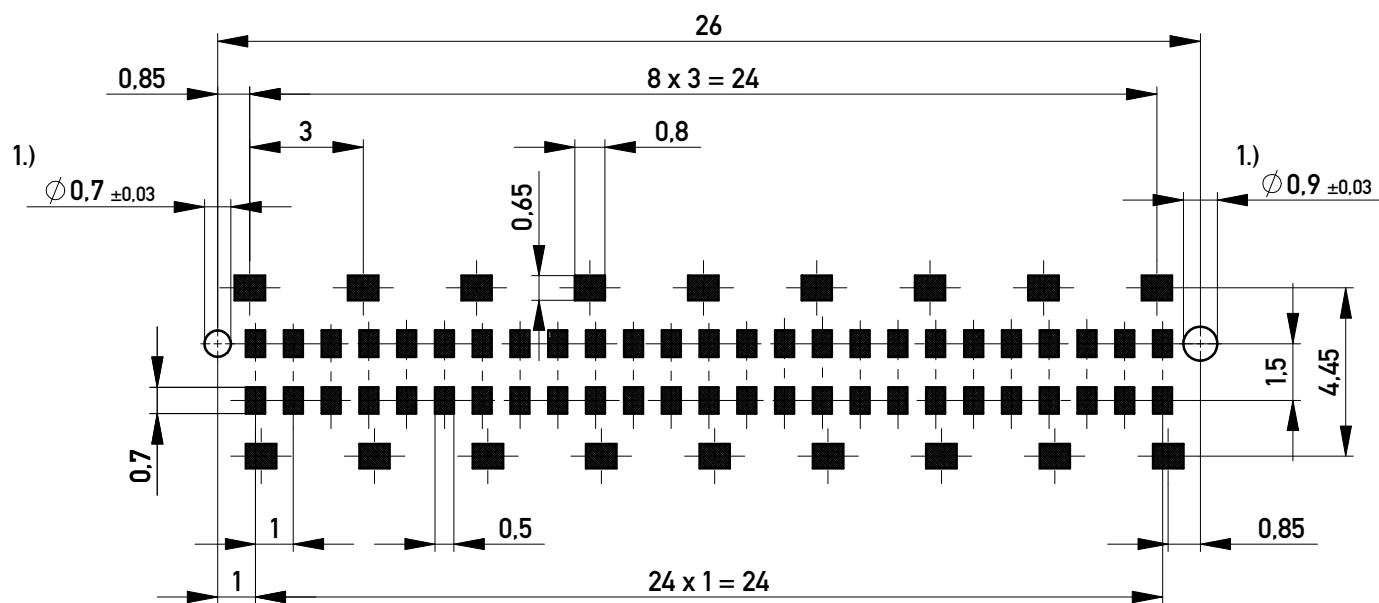


Verpackt in Gurtverpackung - *Tape on Reel Packaging*
 Verpackungseinheit: 400 Stück - *Packaging unit: 400 pcs*



Leiterplatten-Layout Vorschlag / PCB-Layout Proposal



Anforderungsstufe 1
Performance Level 1

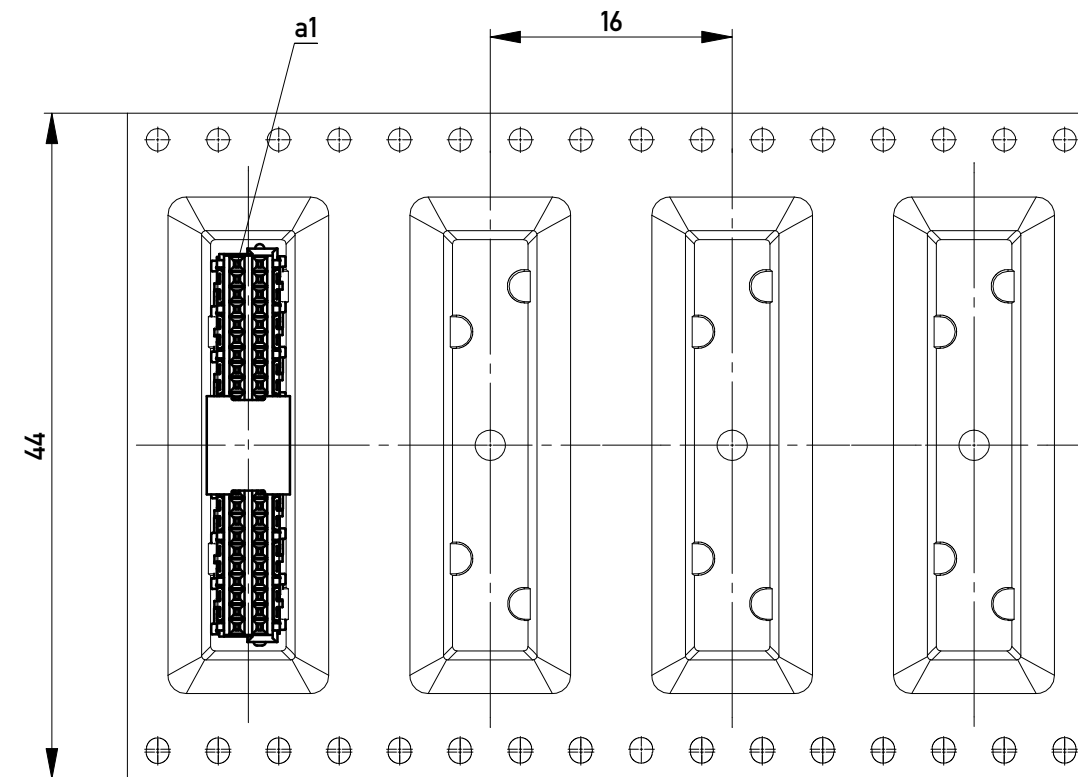
Kontaktbereich vergoldet
Mating Area gold plating

Anschlussbereich verzinkt 4-6µm
Terminal Area 4-6µm tin plating

Koplanarität der Anschlüsse ≤ 0.1mm
Coplanarity Area of Termination ≤ 0.1mm

1.) Durchmesser des Bohrers / *Drill tool*

Abspulrichtung - Reel off Direction



Information:		Tolerances	Scale 5:1
All rights reserved. Only for Information. To ensure that this is the latest version of this drawing, please contact one of the ERNI companies before using.		All Dimensions in mm	Designation Federleiste 4mm SMD, 50 polig <i>Female 4mm SMD, 50 contacts</i>
Subject to modification without prior notice. Drawing will not be updated.			
h	04.06.2012	100902650001	
Index	Date	Class MSPEED	
		I A3	

Copyright by ERNI GmbH
 Proprietary notice pursuant to ISO 16016 to be observed.