



512K ´ 2 BANKS ´ 16 BITS SDRAM

Table of Contents-

1. GENERAL DESCRIPTION3
2. FEATURES3
3. AVAILABLE PART NUMBER.....3
4. PIN CONFIGURATION4
5. PIN DESCRIPTION.....5
6. BLOCK DIAGRAM6
7. FUNCTIONAL DESCRIPTION7
Power-up and Initialization7
Programming Mode Register7
Bank Activate Command7
Read and Write Access Modes7
Burst Read Command8
Burst Write Command8
Read Interrupted by a Read.....8
Read Interrupted by a Write.....8
Write Interrupted by a Write.....8
Write Interrupted by a Read.....8
Burst Stop Command8
Addressing Sequence of Sequential Mode.....9
Addressing Sequence of Interleave Mode.....9
Auto Precharge Command10
Precharge Command.....10
Self Refresh Command10
Power-down Mode10
No Operation Command.....11
Deselect Command11
Clock Suspend Mode.....11
8. TABLE OF OPERATING MODES12
9. ELECTRICAL CHARACTERISTICS13
Absolute Maximum Ratings13
Recommended DC Operating Conditions13
Capacitance13

DC Characteristics	14
AC Characteristics	15
10. TIMING WAVEFORMS	17
Command Input Timing	17
Read Timing	18
Control Timing of Input/Output Data	19
Mode Register Set Cycle	20
11. OPERATING TIMING EXAMPLE	21
Interleaved Bank Read (Burst Length = 4, CAS Latency = 3)	21
Interleaved Bank Read (Burst Length = 4, CAS Latency = 3, Auto Precharge)	22
Interleaved Bank Read (Burst Length = 8, CAS Latency = 3)	23
Interleaved Bank Read (Burst Length = 8, CAS Latency = 3, Auto Precharge)	24
Interleaved Bank Write (Burst Length = 8)	25
Interleaved Bank Write (Burst Length = 8, Auto Precharge)	26
Page Mode Read (Burst Length = 4, CAS Latency = 3)	27
Page Mode Read/Write (Burst Length = 8, CAS Latency = 3)	28
Auto Precharge Read (Burst Length = 4, CAS Latency = 3)	29
Auto Precharge Write (Burst Length = 4)	30
Auto Refresh Cycle	31
Self Refresh Cycle	32
Burst Read and Single Write (Burst Length = 4, CAS Latency = 3).....	33
Power-down Mode	34
Auto Precharge Timing (Read Cycle)	35
Auto Precharge Timing (Write Cycle)	36
Timing Chart of Write-to-Read Cycle (In the case of Burst Length = 4)	37
Timing Chart of Burst Stop Cycle (Burst Stop Command)	37
Timing Chart of Burst Stop Cycle (Prechare Command).....	38
CKE/DQM Input Timing (Write Cycle)	39
CKE/DQM Input Timing (Read Cycle)	40
Self Refresh/Power-down Mode Exit Timing	41
12. PACKAGE DIMENSIONS	42
50L-TSOP (II) 400 mill	42
13. VERSION HISTORY	43

1. GENERAL DESCRIPTION

W981616BH is a high-speed synchronous dynamic random access memory (SDRAM), organized as 512K words × 2 banks × 16 bits. Using pipelined architecture and 0.175 μm process technology, W981616BH delivers a data bandwidth of up to 400M bytes per second (-5). For different applications the W981616BH is sorted into the following speed grades: -5, -6, -7. The -5 parts can run up to 200MHz/CL3. The -6 parts can run up to 166 MHz/CL3. The -7 parts can run up to 143 MHz/CL3. For handheld device application, we also provide a low power option, the grade of -7L, with Self Refresh Current under 200 μA

Accesses to the SDRAM are burst oriented. Consecutive memory location in one page can be accessed at a burst length of 1, 2, 4, 8 or full page when a bank and row is selected by an ACTIVE command. Column addresses are automatically generated by the SDRAM internal counter in burst operation. Random column read is also possible by providing its address at each clock cycle. The multiple bank nature enables interleaving among internal banks to hide the precharging time.

By having a programmable Mode Register, the system can change burst length, latency cycle, interleave or sequential burst to maximize its performance. W981616BH is ideal for main memory in high performance applications.

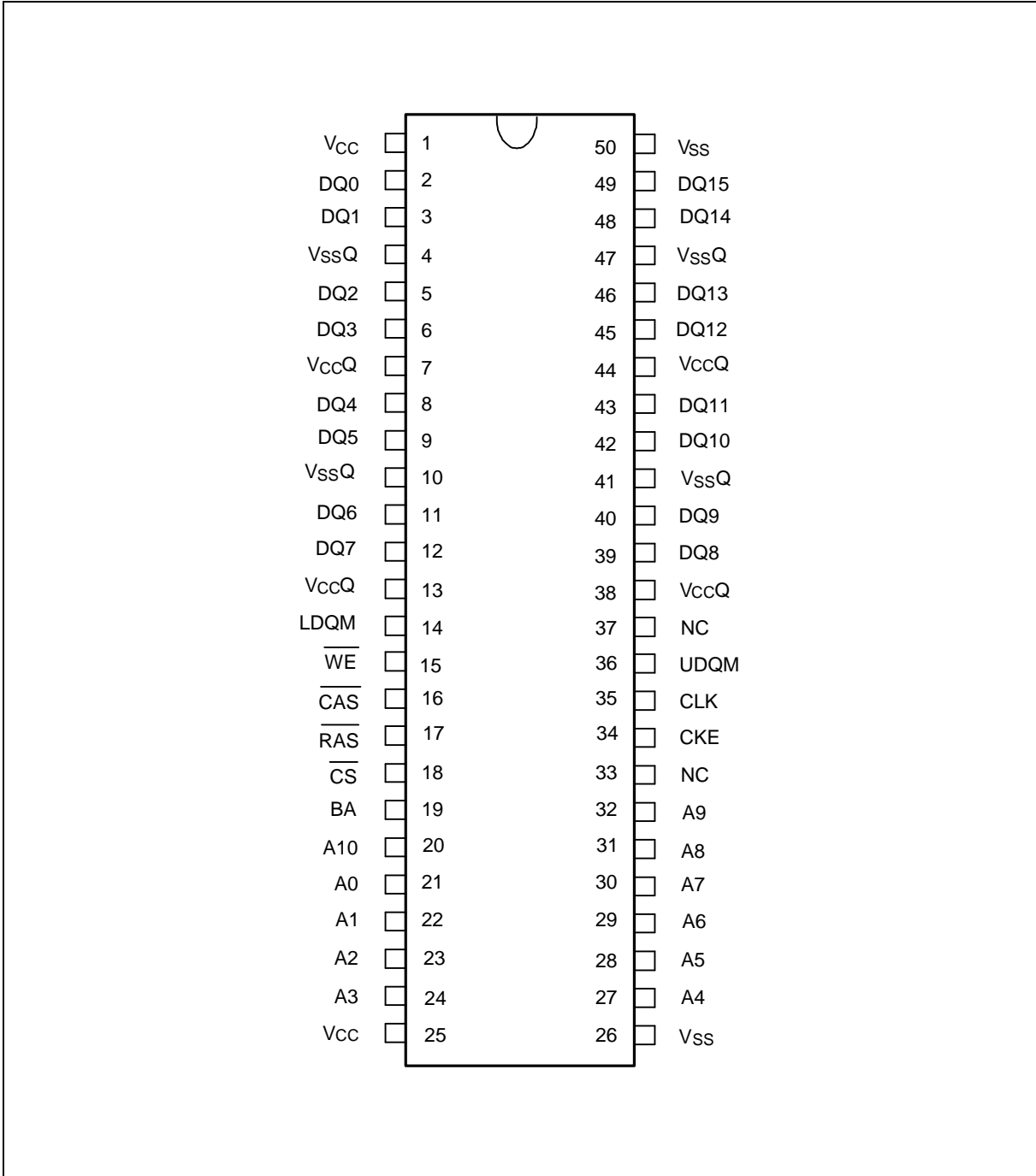
2. FEATURES

- 3.3V ±0.3V power supply
- Up to 200 MHz clock frequency
- 524,288 words x 2 banks x 16 bits organization
- Self Refresh current: standard and low power
- CAS latency: 2 and 3
- Burst Length: 1, 2, 4, 8, and full page
- Burst read, Single Write Mode
- Byte data controlled by UDQM and LDQM
- Auto precharge and controlled precharge
- 4K refresh cycles/64 mS
- Interface: LVTTL
- Packaged in 50-pin, 400 mil TSOP II

3. AVAILABLE PART NUMBER

PART NUMBER	SPEED (CL = 3)	SELF REFRESH CURRENT(MAX.)
W981616BH-5	200 MHz	1 mA
W981616BH-6	166 MHz	1 mA
W981616BH-7	143 MHz	1 mA
W981616BH-7L	143 MHz	200 μA

4. PIN CONFIGURATION

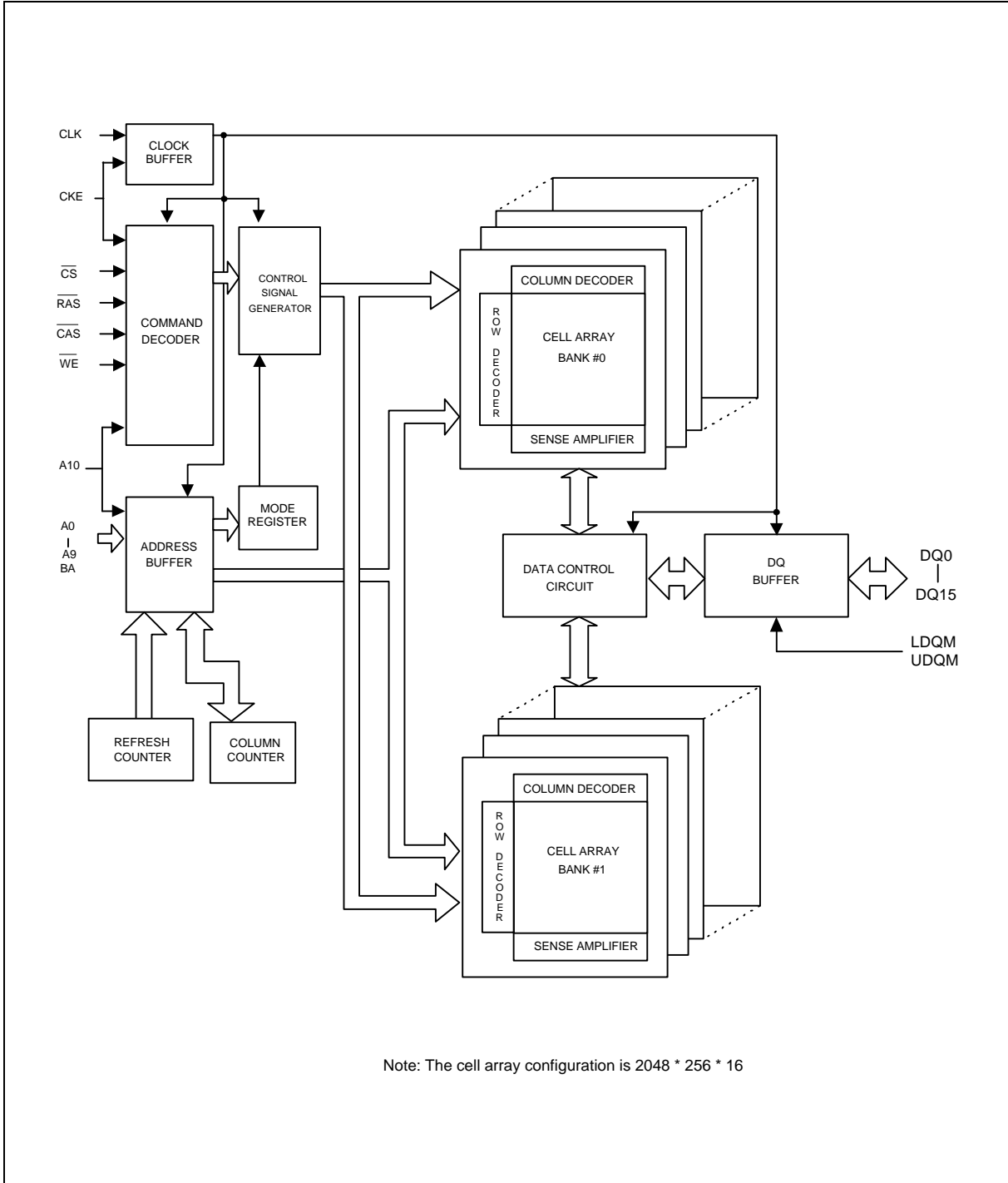




5. PIN DESCRIPTION

PIN NUMBER	PIN NAME	FUNCTION	DESCRIPTION
20 – 24, 27 – 32	A0 – A10	Address	Multiplexed pins for row and column address. Row address: A0–A10. Column address: A0 – A7.
19	BA	Bank Select	Select bank to activate during row address latch time, or bank to read/write during column address latch time.
2, 3, 5, 6, 8, 9, 11, 12, 39, 40, 42, 43, 45, 46, 48, 49	DQ0 – DQ15	Data Input/ Output	Multiplexed pins for data input and output.
18	$\overline{\text{CS}}$	Chip Select	Disable or enable the command decoder. When command decoder is disabled, new command is ignored and previous operation continues.
17	$\overline{\text{RAS}}$	Row Address Strobe	Command input. When sampled at the rising edge of the clock, $\overline{\text{RAS}}$, $\overline{\text{CAS}}$ and $\overline{\text{WE}}$ define the operation to be executed.
16	$\overline{\text{CAS}}$	Column Address Strobe	Referred to $\overline{\text{RAS}}$
15	$\overline{\text{WE}}$	Write Enable	Referred to $\overline{\text{RAS}}$
36, 14	UDQM/ LDQM	Input/Output Mask	The output buffer is placed at Hi-Z (with latency of 2) when DQM is sampled high in read cycle. In write cycle, sampling DQM high will block the write operation with zero latency.
35	CLK	Clock Inputs	System clock used to sample inputs on the rising edge of clock.
34	CKE	Clock Enable	CKE controls the clock activation and deactivation. When CKE is low, Power-down mode, Suspend mode, or Self Refresh mode is entered.
1, 25	Vcc	Power (+3.3V)	Power for input buffers and logic circuit inside DRAM.
26, 50	Vss	Ground	Ground for input buffers and logic circuit inside DRAM.
7, 13, 38, 44,	VccQ	Power (+3.3V) for I/O buffer	Separated power from Vcc, used for output buffers to improve noise immunity.
4, 10, 41, 47	VssQ	Ground for I/O buffer	Separated ground from Vss, used for output buffers to improve noise immunity.
33, 37	NC	No Connection	No connection

6. BLOCK DIAGRAM





7. FUNCTIONAL DESCRIPTION

Power-up and Initialization

The default power-up state of the mode register is unspecified. The following power-up and initialization sequence need to be followed to guarantee the device being preconditioned to each user specific needs during power-up, all VCC and VCCQ pins must be ramp up simultaneously to the specified voltage when the input signals are held in the "NOP" state. The power-up voltage must not exceed VCC +0.3V on any of the input pins or VCC supplies. After power-up, an initial pause of 200 μ S is required followed by a precharge of all banks using the precharge command. To prevent data contention on the DQ bus during power-up, it is required that the DQM and CKE pins be held high during the initial pause period. Once all banks have been precharged, the Mode Register Set Command must be issued to initialize the Mode Register. An additional eight Auto Refresh cycles (CBR) are also required before or after programming the Mode Register to ensure proper subsequent operation.

Programming Mode Register

After initial power-up, the Mode Register Set Command must be issued for proper device operation. All banks must be in a precharged state and CKE must be high at least one cycle before the Mode Register Set Command can be issued. The Mode Register Set Command is activated by the low signals of $\overline{\text{RAS}}$, $\overline{\text{CAS}}$, $\overline{\text{CS}}$ and $\overline{\text{WE}}$ at the positive edge of the clock. The address input data during this cycle defines the parameters to be set as shown in the Mode Register Operation table. A new command may be issued following the mode register set command once a delay equal to t_{RSC} has elapsed. Please refer to the next page for Mode Register Set Cycle and Operation Table.

Bank Activate Command

The Bank Activate command must be applied before any Read or Write operation can be executed. The operation is similar to $\overline{\text{RAS}}$ activate in EDO DRAM. The delay from when the Bank Activate command is applied to when the first read or write operation can begin must not be less than the RAS to CAS delay time (t_{RCD}). Once a bank has been activated it must be precharged before another Bank Activate command can be issued to the same bank. The minimum time interval between successive Bank Activate commands to the same bank is determined by the RAS cycle time of the device (t_{RC}). The minimum time interval between interleaved Bank Activate commands (Bank A to Bank B and vice versa) is the Bank-to-Bank delay time (t_{RRD}). The maximum time that each bank can be held active is specified as $t_{\text{RAS}}(\text{max.})$.

Read and Write Access Modes

After a bank has been activated, a read or write cycle can be followed. This is accomplished by setting $\overline{\text{RAS}}$ high and $\overline{\text{CAS}}$ low at the clock rising edge after minimum of t_{RCD} delay. $\overline{\text{WE}}$ pin voltage level defines whether the access cycle is a read operation ($\overline{\text{WE}}$ high), or a write operation ($\overline{\text{WE}}$ low). The address inputs determine the starting column address. Reading or writing to a different row within an activated bank requires the bank be precharged and a new Bank Activate command be issued. When more than one bank is activated, interleaved bank Read or Write operations are possible. By using the programmed burst length and alternating the access and precharge operations between multiple banks, seamless data access operation among many different pages can be realized. Read or Write Commands can also be issued to the same bank or between active banks on every clock cycle.



Burst Read Command

The Burst Read command is initiated by applying logic low level to \overline{CS} and \overline{CAS} while holding \overline{RAS} and \overline{WE} high at the rising edge of the clock. The address inputs determine the starting column address for the burst. The Mode Register sets type of burst (sequential or interleave) and the burst length (1, 2, 4, 8, full page) during the Mode Register Set Up cycle. Table 1 and 2 in the next page explain the address sequence of interleave mode and sequence mode.

Burst Write Command

The Burst Write command is initiated by applying logic low level to \overline{CS} , \overline{CAS} and \overline{WE} while holding \overline{RAS} high at the rising edge of the clock. The address inputs determine the starting column address. Data for the first burst write cycle must be applied on the DQ pins on the same clock cycle that the Write Command is issued. The remaining data inputs must be supplied on each subsequent rising clock edge until the burst length is completed. Data supplied to the DQ pins after burst finishes will be ignored.

Read Interrupted by a Read

A Burst Read may be interrupted by another Read Command. When the previous burst is interrupted, the remaining addresses are overridden by the new read address with the full burst length. The data from the first Read Command continues to appear on the outputs until the CAS latency from the interrupting Read Command is satisfied.

Read Interrupted by a Write

To interrupt a burst read with a Write Command, DQM may be needed to place the DQs (output drivers) in a high impedance state to avoid data contention on the DQ bus. If a Read Command will issue data on the first and second clocks cycles of the write operation, DQM is needed to insure the DQs are tri-stated. After that point the Write Command will have control of the DQ bus and DQM masking is no longer needed.

Write Interrupted by a Write

A burst write may be interrupted before completion of the burst by another Write Command. When the previous burst is interrupted, the remaining addresses are overridden by the new address and data will be written into the device until the programmed burst length is satisfied.

Write Interrupted by a Read

A Read Command will interrupt a burst write operation on the same clock cycle that the Read Command is activated. The DQs must be in the high impedance state at least one cycle before the new read data appears on the outputs to avoid data contention. When the Read Command is activated, any residual data from the burst write cycle will be ignored.

Burst Stop Command

A Burst Stop Command may be used to terminate the existing burst operation but leave the bank open for future Read or Write Commands to the same page of the active bank, if the burst length is full page. Use of the Burst Stop Command during other burst length operations is illegal. The Burst Stop Command is defined by having \overline{RAS} and \overline{CAS} high with \overline{CS} and \overline{WE} low at the rising



edge of the clock. The data DQs go to a high impedance state after a delay, which is equal to the $\overline{\text{CAS}}$ Latency in a burst read cycle, interrupted by Burst Stop. If a Burst Stop Command is issued during a full page burst write operation, then any residual data from the burst write cycle will be ignored.

Addressing Sequence of Sequential Mode

A column access is performed by increasing the address from the column address, which is input to the device. The disturb address is varied by the Burst Length as shown in Table 1.

Table 1 Address Sequence of Sequential Mode

DATA	ACCESS ADDRESS	BURST LENGTH
Data 0	n	BL = 2 (disturb address is A0) No address carry from A0 to A1
Data 1	n + 1	
Data 2	n + 2	BL = 4 (disturb addresses are A0 and A1) No address carry from A1 to A2
Data 3	n + 3	
Data 4	n + 4	BL = 8 (disturb addresses are A0, A1 and A2) No address carry from A2 to A3
Data 5	n + 5	
Data 6	n + 6	
Data 7	n + 7	

Addressing Sequence of Interleave Mode

A column access is started in the input column address and is performed by inverting the address bit in the sequence shown in Table 2.

Table 2 Address Sequence of Interleave Mode

DATA	ACCESS ADDRESS	BURST LENGTH
Data 0	A8 A7 A6 A5 A4 A3 A2 A1 A0	BL = 2
Data 1	A8 A7 A6 A5 A4 A3 A2 A1 $\overline{\text{A0}}$	
Data 2	A8 A7 A6 A5 A4 A3 A2 $\overline{\text{A1}}$ A0	BL = 4
Data 3	A8 A7 A6 A5 A4 A3 A2 $\overline{\text{A1}}$ $\overline{\text{A0}}$	
Data 4	A8 A7 A6 A5 A4 A3 $\overline{\text{A2}}$ A1 A0	BL = 8
Data 5	A8 A7 A6 A5 A4 A3 $\overline{\text{A2}}$ A1 $\overline{\text{A0}}$	
Data 6	A8 A7 A6 A5 A4 A3 $\overline{\text{A2}}$ $\overline{\text{A1}}$ A0	
Data 7	A8 A7 A6 A5 A4 A3 $\overline{\text{A2}}$ $\overline{\text{A1}}$ $\overline{\text{A0}}$	



Auto Precharge Command

If A10 is set to high when the Read or Write Command is issued, then the auto precharge function is entered. During auto precharge, a Read Command will execute as normal with the exception that the active bank will begin to precharge automatically before all burst read cycles have been completed. Regardless of burst length, it will begin a certain number of clocks prior to the end of the scheduled burst cycle. The number of clocks is determined by $\overline{\text{CAS}}$ latency.

A Read or Write Command with auto precharge can not be interrupted before the entire burst operation is completed. Therefore, use of a Read, Write, or Precharge Command is prohibited during a read or write cycle with auto precharge. Once the precharge operation has started, the bank cannot be reactivated until the Precharge time (t_{RP}) has been satisfied. Issue of Auto Precharge command is illegal if the burst is set to full page length. If A10 is high when a Write Command is issued, the Write with Auto Precharge function is initiated. The SDRAM automatically enters the precharge operation one clock delay from the last burst write cycle. This delay is referred to as Write t_{WR} . The bank undergoing auto precharge can not be reactivated until t_{WR} and t_{RP} are satisfied. This is referred to as t_{DAL} , Data-in to Active delay ($t_{DAL} = t_{WR} + t_{RP}$). When using the Auto precharge Command, the interval between the Bank Activate Command and the beginning of the internal precharge operation must satisfy $t_{RAS(min)}$.

Precharge Command

The Precharge Command is used to precharge or close a bank that has been activated. The Precharge Command is entered when $\overline{\text{CS}}$, $\overline{\text{RAS}}$ and $\overline{\text{WE}}$ are low and $\overline{\text{CAS}}$ is high at the rising edge of the clock. The Precharge Command can be used to precharge each bank separately or all banks simultaneously. The address bits, A10, and BA, are used to define which bank(s) is to be precharged when the command is issued. After the Precharge Command is issued, the precharged bank must be reactivated before a new read or write access can be executed. The delay between the Precharge Command and the Activate Command must be greater than or equal to the Precharge time (t_{RP}).

Self Refresh Command

The Self Refresh Command is defined by having $\overline{\text{CS}}$, $\overline{\text{RAS}}$, $\overline{\text{CAS}}$ and CKE held low with $\overline{\text{WE}}$ high at the rising edge of the clock. All banks must be idle prior to issuing the Self Refresh Command. Once the command is registered, CKE must be held low to keep the device in Self Refresh mode. When the SDRAM has entered Self Refresh mode all of the external control signals, except CKE, are disabled. The clock is internally disabled during Self Refresh Operation to save power. The device will exit Self Refresh operation after CKE is returned high. Any subsequent commands can be issued after t_{RC} from the end of Self Refresh command.

If, during normal operation, Auto Refresh cycles are issued in bursts (as opposed to being evenly distributed), a burst of 4,096 Auto Refresh cycles should be completed just prior to entering and just after exiting the Self Refresh mode.

Power-down Mode

The Power-down mode is initiated by holding CKE low. All of the receiver circuits except CKE are gated off to reduce the power. The Power-down mode does not perform any refresh operations; therefore the device can not remain in Power-down mode longer than the Refresh period (t_{REF}) of the device.



The Power-down mode is exited by bringing CKE high. When CKE goes high, a No Operation Command is required on the next rising clock edge, depending on t_{CK} . The input buffers need to be enabled with CKE held high for a period equal to $t_{CKS}(\text{min}) + t_{CK}(\text{min})$.

No Operation Command

The No Operation Command should be used in cases when the SDRAM is in an idle or a wait state to prevent the SDRAM from registering any unwanted commands between operations. A No Operation Command is registered when \overline{CS} is low with \overline{RAS} , \overline{CAS} , and \overline{WE} held high at the rising edge of the clock. A No Operation Command will not terminate a previous operation that is still executing, such as a burst read or write cycle.

Deselect Command

The Deselect Command performs the same function as a No Operation Command. Deselect Command occurs when \overline{CS} is brought high, the \overline{RAS} , \overline{CAS} , and \overline{WE} signals become don't cares.

Clock Suspend Mode

During normal access mode, CKE must be held high enabling the clock. When CKE is registered low while at least one of the banks is active, Clock Suspend Mode is entered. The Clock Suspend mode deactivates the internal clock and suspends any clocked operation that was currently being executed. There is a one-clock delay between the registration of CKE low and the time at which the SDRAM operation suspends. While in Clock Suspend mode, the SDRAM ignores any new commands that are issued. The Clock Suspend mode is exited by bringing CKE high. There is a one-clock cycle delay from when CKE returns high to when Clock Suspend mode is exited.



8. TABLE OF OPERATING MODES

Fully synchronous operations are performed to latch the commands at the positive edges of CLK. Table 3 shows the truth table for the operation commands.

Table 3 Truth Table (Note 1, 2)

COMMAND	DEVICE STATE	CKEn-1	CKEn	DQM	BA	A10	A9-0	$\overline{\text{CS}}$	$\overline{\text{RAS}}$	$\overline{\text{CAS}}$	$\overline{\text{WE}}$
Bank Active	Idle	H	X	X	V	V	V	L	L	H	H
Bank Precharge	Any	H	X	X	V	L	X	L	L	H	L
Precharge All	Any	H	X	X	X	H	X	L	L	H	L
Write	Active (3)	H	X	X	V	L	V	L	H	L	L
Write with Auto Precharge	Active (3)	H	X	X	V	H	V	L	H	L	L
Read	Active (3)	H	X	X	V	L	V	L	H	L	H
Read with Auto Precharge	Active (3)	H	X	X	V	H	V	L	H	L	H
Mode Register Set	Idle	H	X	X	V	V	V	L	L	L	L
No Operation	Any	H	X	X	X	X	X	L	H	H	H
Burst Stop	Active (4)	H	X	X	X	X	X	L	H	H	L
Device Deselect	Any	H	X	X	X	X	X	H	X	X	X
Auto Refresh	Idle	H	H	X	X	X	X	L	L	L	H
Self Refresh Entry	Idle	H	L	X	X	X	X	L	L	L	H
Self Refresh Exit	Idle (S.R)	L L	H H	X X	X X	X X	X X	H L	X H	X H	X X
Clock Suspend Mode Entry	Active	H	L	X	X	X	X	X	X	X	X
Power-down Mode Entry	Idle Active (5)	H H	L L	X X	X X	X X	X X	H L	X H	X H	X X
Clock Suspend Mode Exit	Active	L	H	X	X	X	X	X	X	X	X
Power-down Mode Exit	Any (Power-down)	L L	H H	X X	X X	X X	X X	H L	X H	X H	X X
Data Write/Output Enable	Active	H	X	L	X	X	X	X	X	X	X
Data Write/Output Disable	Active	H	X	H	X	X	X	X	X	X	X

Notes:

- (1) V = Valid, X = Don't care, L = Low Level, H = High Level
- (2) CKEn signal is input level when commands are provided.
- (3) These are state of bank designated by BA signals.
- (4) Device state is full page burst operation.
- (5) Power-down Mode can not be entered in the burst cycle.
When this command asserts in the burst cycle, device state is clock suspend mode.



9. ELECTRICAL CHARACTERISTICS

Absolute Maximum Ratings

PARAMETER	SYMBOL	RATING	UNIT	NOTE
Input, Output Voltage	V _{IN} , V _{OUT}	-0.3 – 4.6	V	1
Power Supply Voltage	V _{CC} , V _{CCQ}	-0.3 – 4.6	V	1
Operating Temperature	T _{OPR}	0 – 70	°C	1
Storage Temperature	T _{STG}	-55 – 150	°C	1
Soldering Temperature (10s)	T _{SOLDER}	260	°C	1
Power Dissipation	P _D	1	W	1
Short Circuit Output Current	I _{OUT}	50	mA	1

Note: Exposure to conditions beyond those listed under Absolute Maximum Ratings may adversely affect the life and reliability of the device.

Recommended DC Operating Conditions

(T_A = 0 to 70°C)

PARAMETER	SYM.	MIN.	TYP.	MAX.	UNIT	NOTE
Power Supply Voltage	V _{CC}	3.0	3.3	3.6	V	2
Power Supply Voltage (for I/O Buffer)	V _{CCQ}	3.0	3.3	3.6	V	2
Input High Voltage	V _{IH}	2.0	-	V _{CC} +0.3	V	2
Input Low Voltage	V _{IL}	-0.3	-	0.8	V	2

Note: V_{IH} (max.) = V_{CC}/V_{CCQ} +1.2V for pulse width ≤ 5 nS

V_{IL} (min.) = V_{SS}/V_{SSQ} -1.2V for pulse width ≤ 5 nS

Capacitance

(V_{CC} = 3.3V, T_A = 25 °C, f = 1MHz)

PARAMETER	SYM.	MIN.	MAX.	UNIT
Input Capacitance (A0 to A10, BA, \overline{CS} , \overline{RAS} , \overline{CAS} , \overline{WE} , UDQM, LDQM, CKE)	C _I	-	4	pf
Input Capacitance (CLK)		-	4	pf
Input/Output capacitance (DQ0 to DQ15)	C _{IO}	-	6.5	pf

Note: These parameters are periodically sampled and not 100% tested



DC Characteristics

(V_{CC} = 3.3V ±0.3V, T_A = 0°~70°C)

PARAMETER		SYM.	-5 MAX.	-6 MAX.	-7 MAX.	UNIT	NOTES
Operating Current t _{CK} = min., t _{RC} = min. Active precharge command cycling without burst operation	1 bank operation	I _{CC1}	70	60	50	mA	3
	Standby Current t _{CK} = min., \overline{CS} = V _{IH} V _{IH/L} = V _{IH} (min.) / V _{IL} (max.) Bank: inactive state	CKE = V _{IH}	I _{CC2}	35	30		25
Standby Current CLK = V _{IL} , \overline{CS} = V _{IH} V _{IH/L} = V _{IH} (min.) / V _{IL} (max.) Bank: inactive state	CKE = V _{IL} (Power-down mode)	I _{CC2P}	1	1	1		3
	CKE = V _{IH}	I _{CC2S}	8	8	8		
No Operating Current t _{CK} = min., \overline{CS} = V _{IH} (min.) Bank: active state (2 banks)	CKE = V _{IL} (Power-down mode)	I _{CC2PS}	1	1	1		
	CKE = V _{IH}	I _{CC3}	45	40	35		
Burst Operating Current (t _{CK} = min.) Read/ Write command cycling	CKE = V _{IL} (Power-down mode)	I _{CC3P}	3	3	3		
	CKE = V _{IH}	I _{CC4}	120	110	100		3, 4
Auto Refresh Current (t _{CK} = min.) Auto refresh command cyclin		I _{CC5}	60	55	50		3
Self Refresh Current (CKE = 0.2V) Self refresh mode	Standrad	I _{CC6}	1	1	1		μA
	Low Power	I _{CC6L}	-	-	200		

PARAMETER	SYM.	MIN.	MAX.	UNIT	NOTES
Input Leakage Current (0V ≤ V _{IN} ≤ V _{CC} , all other pins not under test = 0V)	I _{I(L)}	-5	5	μA	
Output Leakage Current (Output disable , 0V ≤ V _{OUT} ≤ V _{CCQ})	I _{O(L)}	-5	5	μA	
LVTTL Output "H" Level Voltage (I _{OUT} = -2 mA)	V _{OH}	2.4	-	V	
LVTTL Output "L" Level Voltage (I _{OUT} = 2 mA)	V _{OL}	-	0.4	V	



AC Characteristics

(V_{CC} = 3.3V ±0.3V, V_{SS} = 0V, T_A = 0 to 70 °C, Notes: 5, 6, 7, 8)

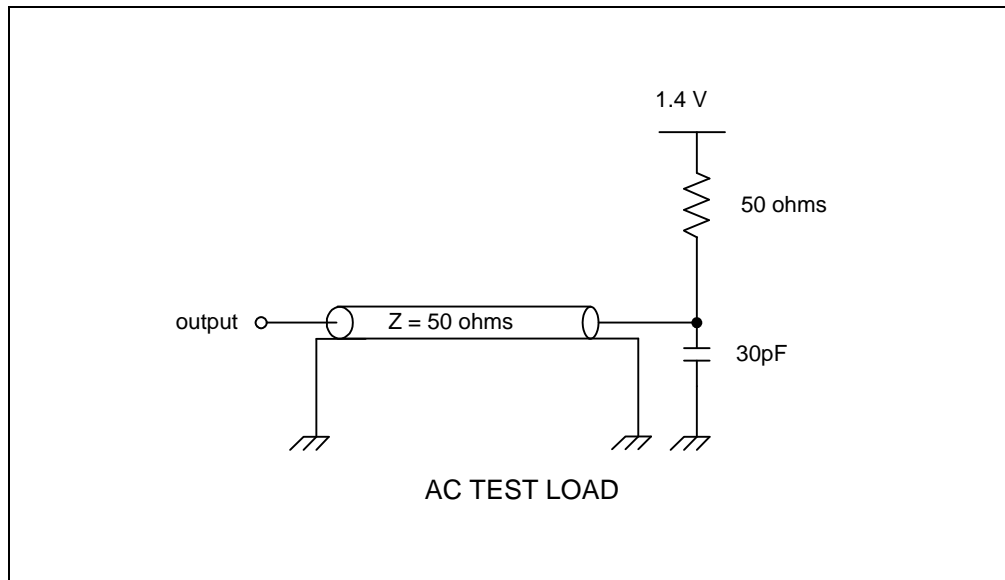
PARAMETER	SYM.	-5		-6		-7		UNIT
		MIN.	MAX.	MIN.	MAX.	MIN.	MAX.	
Ref/Active to Ref/Active Command Period	t _{RC}	54		60		65		nS
Active to Precharge Command Period	t _{RAS}	40	100000	42	100000	45	100000	
Active to Read/Write Command Delay Time	t _{RCD}	14		18		20		
Read/Write(a) to Read/Write(b) Command Period	t _{CCD}	1		1		1		Cycle
Precharge to Active(b) Command Period	t _{RP}	14		18		20		nS
Active(a) to Active(b) Command Period	t _{RPD}	10		12		14		
Write Recovery Time	CL* = 2 t _{WR}	7		8		10		
	CL* = 3	5		6		7		
CLK Cycle Time	CL* = 2 t _{CK}	7	1000	8	1000	10	1000	
	CL* = 3	5	1000	6	1000	7	1000	
CLK High Level Width	t _{CH}	2		2		2		
CLK Low Level Width	t _{CL}	2		2		2		
Access Time from CLK	CL* = 2 t _{AC}		4.5		5.5		5.5	
	CL* = 3		4.5		5		5	
Output Data Hold Time	t _{OH}	1.5		2		2.5		
Output Data High Impedance Time	t _{HZ}	1.5	5	2	6	2.5	7	
Output Data Low Impedance Time	t _{LZ}	0		0		0		
Power-down Mode Entry Time	t _{SB}	0	5	0	6	0	7	
Transition Time of CLK (Rise and Fall)	t _T	0.5	10	0.5	10	0.5	10	
Data-in-Set-up Time	t _{DS}	1.5		1.5		1.5		
Data-in Hold Time	t _{DH}	1		1		1		
Address Set-up Time	t _{AS}	1.5		1.5		1.5		
Address Hold Time	t _{AH}	1		1		1		
CKE Set-up Time	t _{CKS}	1.5		1.5		1.5		
CKE Hold Time	t _{CKH}	1		1		1		
Command Set-up Time	t _{CMS}	1.5		1.5		1.5		
Command Hold Time	t _{CMH}	1		1		1		
Refresh Time	t _{REF}		64		64		64	mS
Mode Register Set Cycle Time	t _{RSC}	10		12		14		nS

(L): For low power

Notes:

1. Operation exceeds "ABSOLUTE MAXIMUM RATING" may cause permanent damage to the devices.
2. All voltages are referenced to VSS
3. These parameters depend on the cycle rate and listed values are measured at a cycle rate with the minimum values of tCK and tRC.
4. These parameters depend on the output loading conditions. Specified values are obtained with output open.
5. Power-up sequence is further described in the "Functional Description" section.
6. AC test conditions.

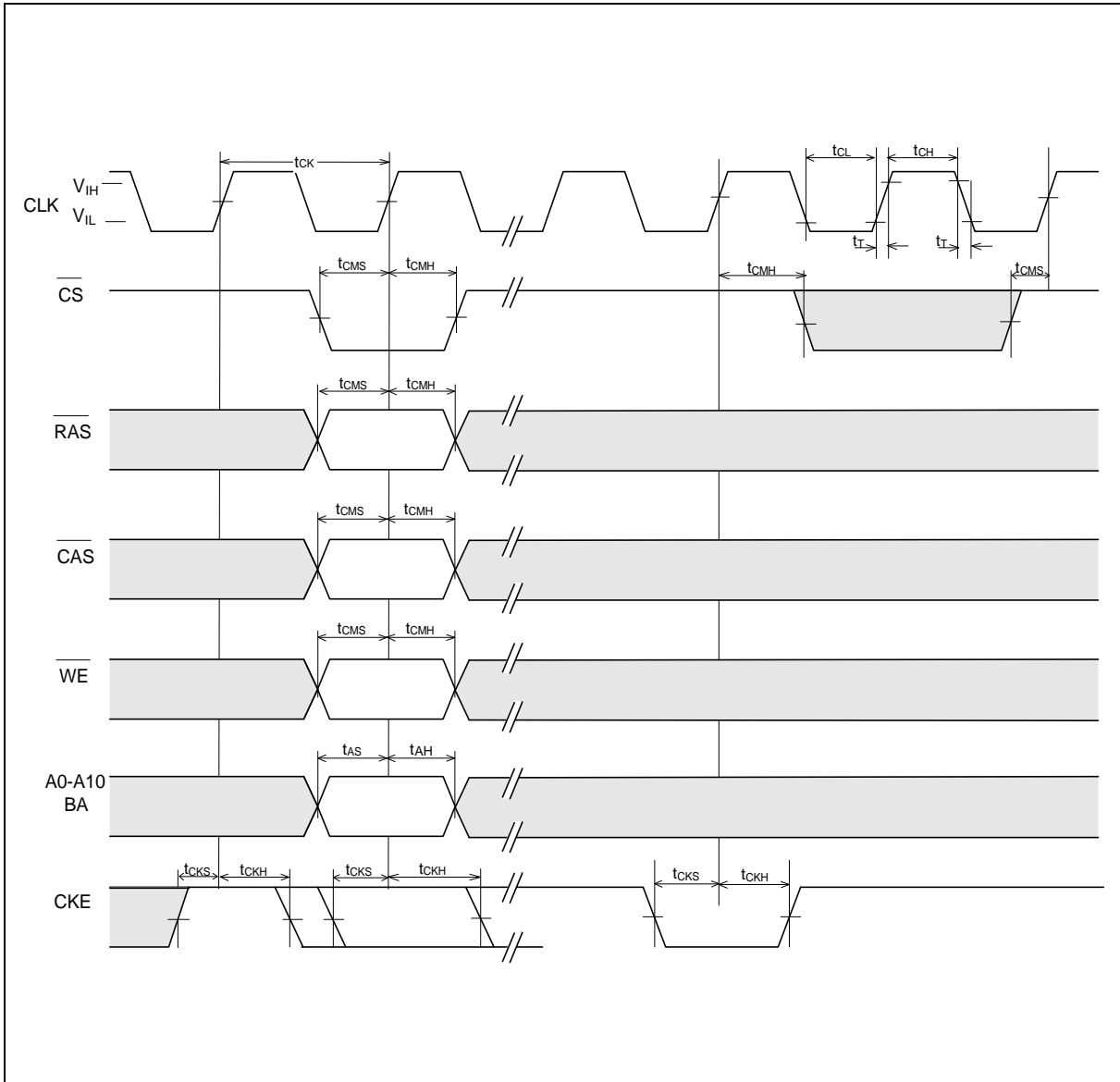
PARAMETER	CONDITIONS
Output Reference Level	1.4V/1.4V
Output Load	See diagram below
Input Signal Levels	2.4V/0.4V
Transition Time (Rise and Fall) of Input Signal	2 nS
Input Reference Level	1.4V



7. Transition times are measured between VIH and VIL.
8. tHZ defines the time at which the outputs achieve the open circuit condition and is not referenced to output level.

10. TIMING WAVEFORMS

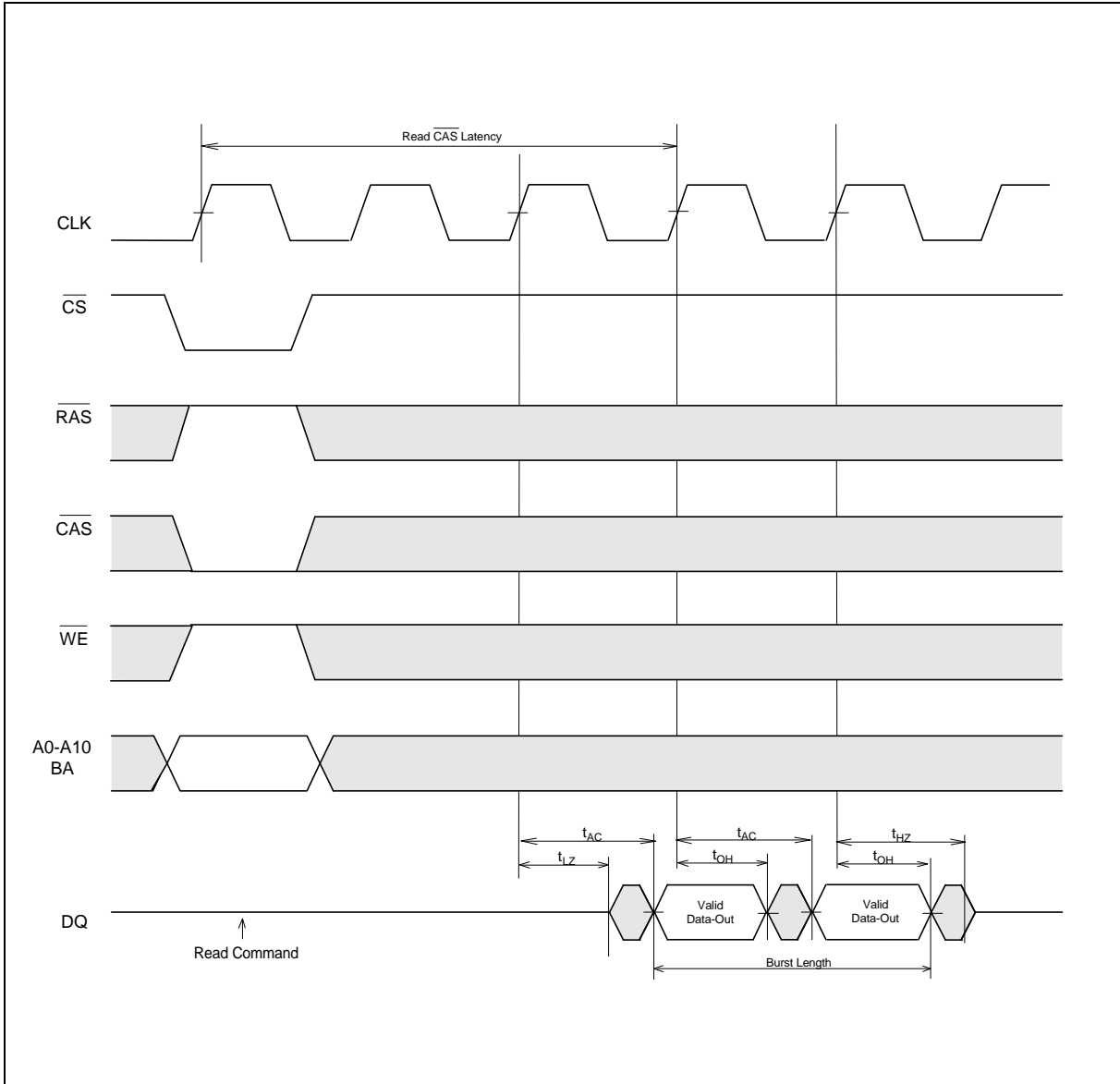
Command Input Timing





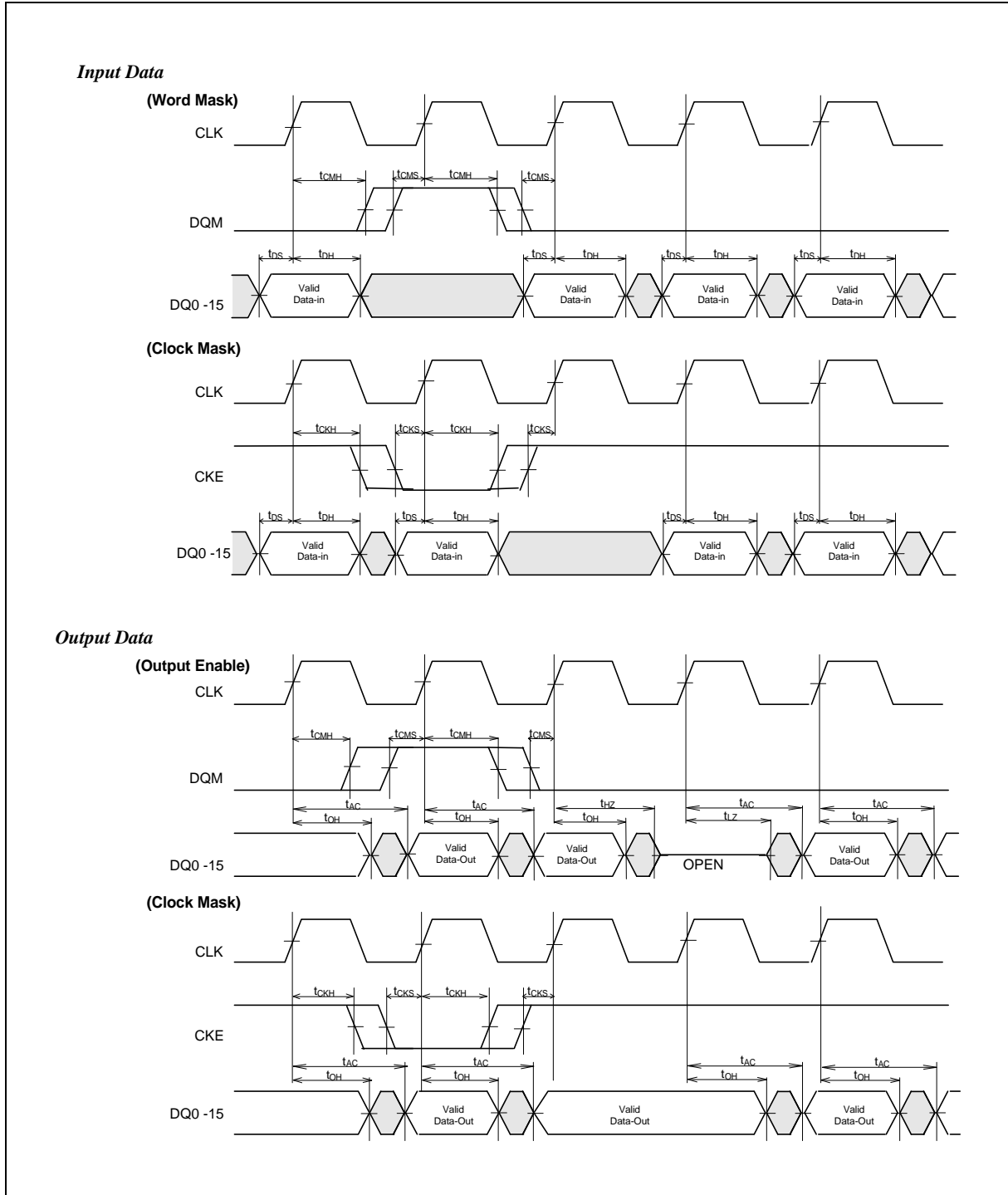
Timing Waveforms, continued

Read Timing



Timing Waveforms, continued

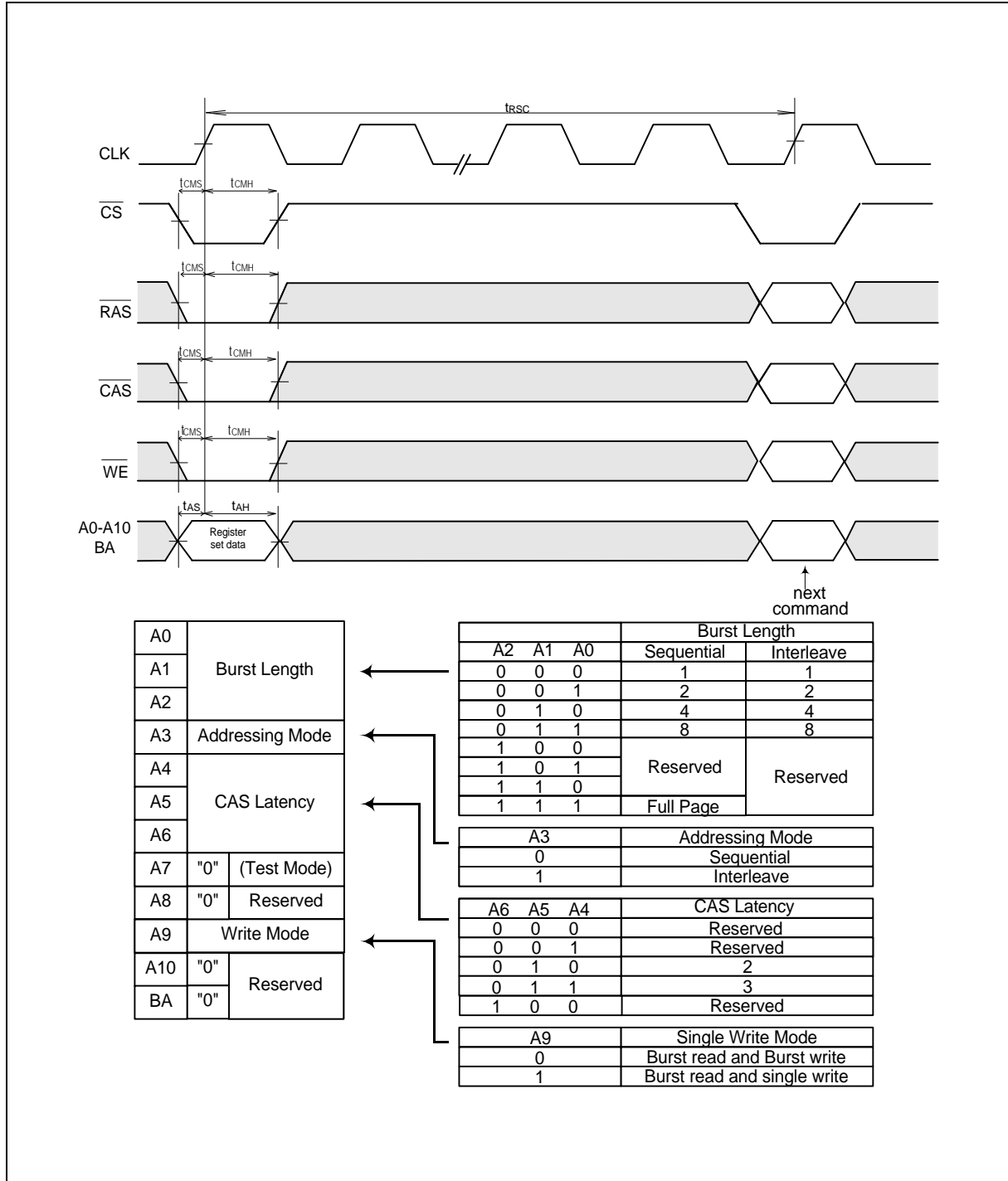
Control Timing of Input/Output Data





Timing Waveforms, continued

Mode Register Set Cycle



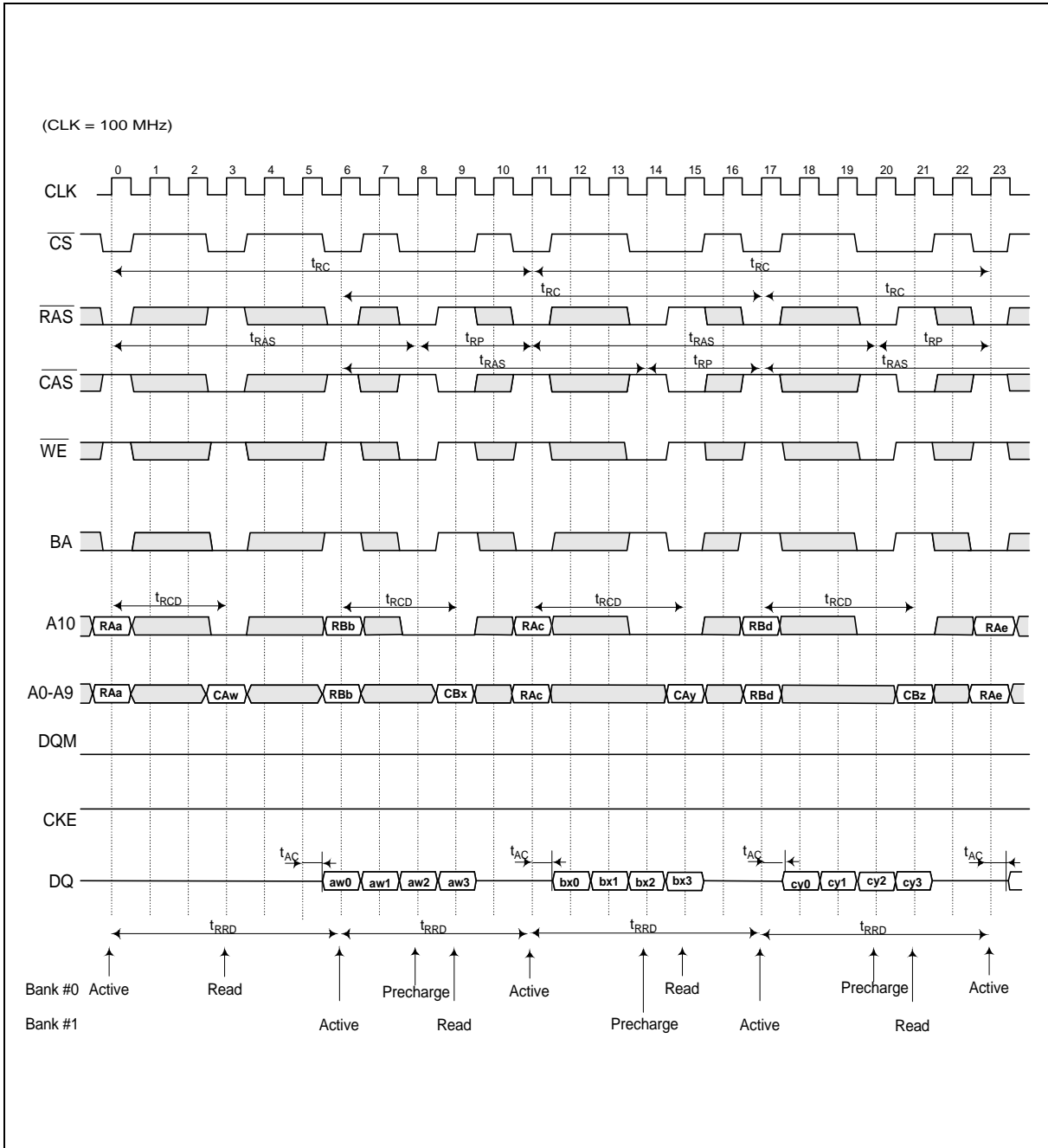
A0	Burst Length	
A1	Burst Length	
A2	Burst Length	
A3	Addressing Mode	
A4	CAS Latency	
A5	CAS Latency	
A6	CAS Latency	
A7	"0"	(Test Mode)
A8	"0"	Reserved
A9	Write Mode	
A10	"0"	Reserved
BA	"0"	Reserved

			Burst Length	
A2	A1	A0	Sequential	Interleave
0	0	0	1	1
0	0	1	2	2
0	1	0	4	4
0	1	1	8	8
1	0	0	Reserved	Reserved
1	0	1		
1	1	0	Full Page	Reserved
1	1	1		
A3			Addressing Mode	
0			Sequential	
1			Interleave	
A6 A5 A4			CAS Latency	
0 0 0			Reserved	
0 0 1			Reserved	
0 1 0			2	
0 1 1			3	
1 0 0			Reserved	
A9			Single Write Mode	
0			Burst read and Burst write	
1			Burst read and single write	



11. OPERATING TIMING EXAMPLE

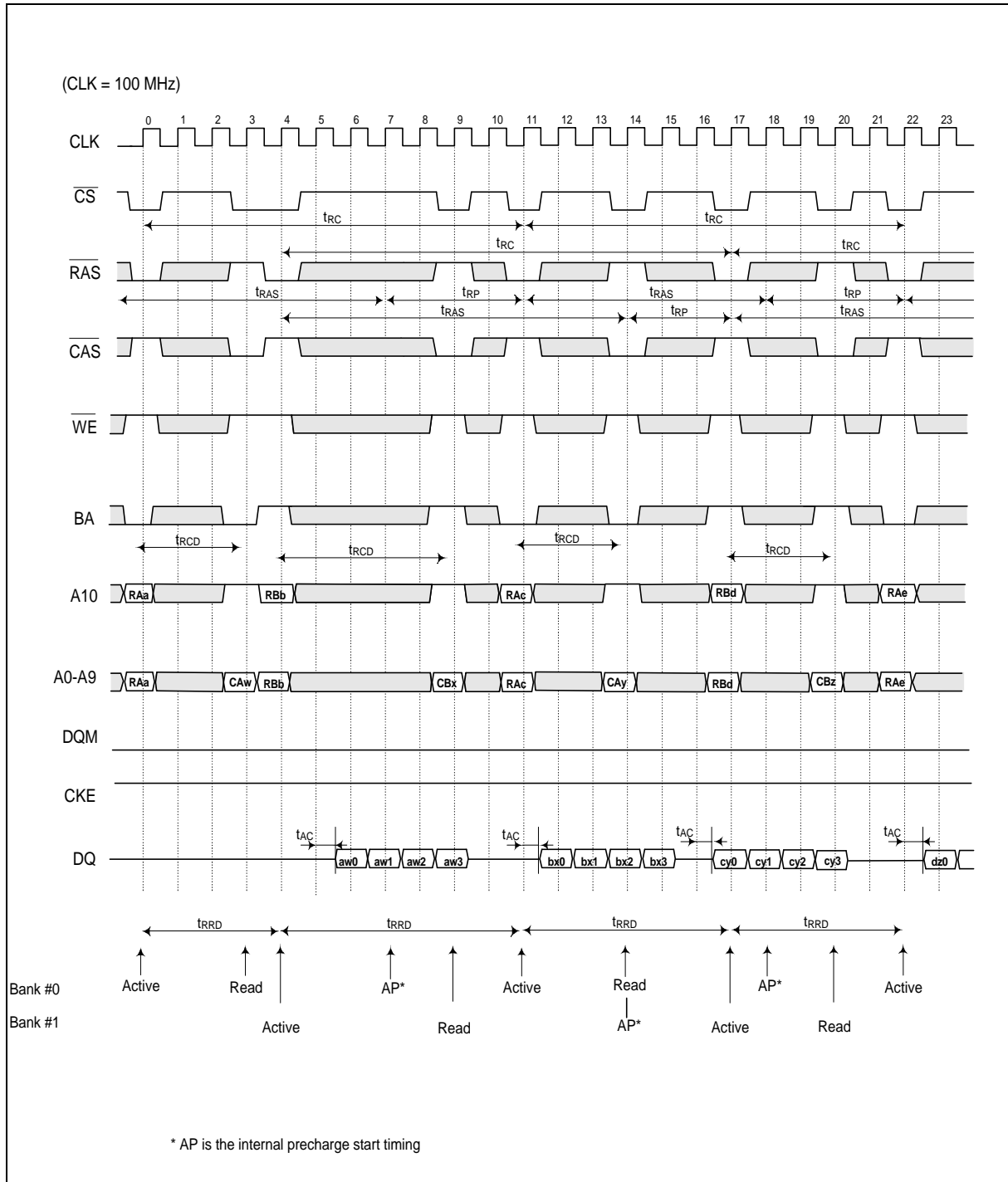
Interleaved Bank Read (Burst Length = 4, CAS Latency = 3)





Operating Timing Example, continued

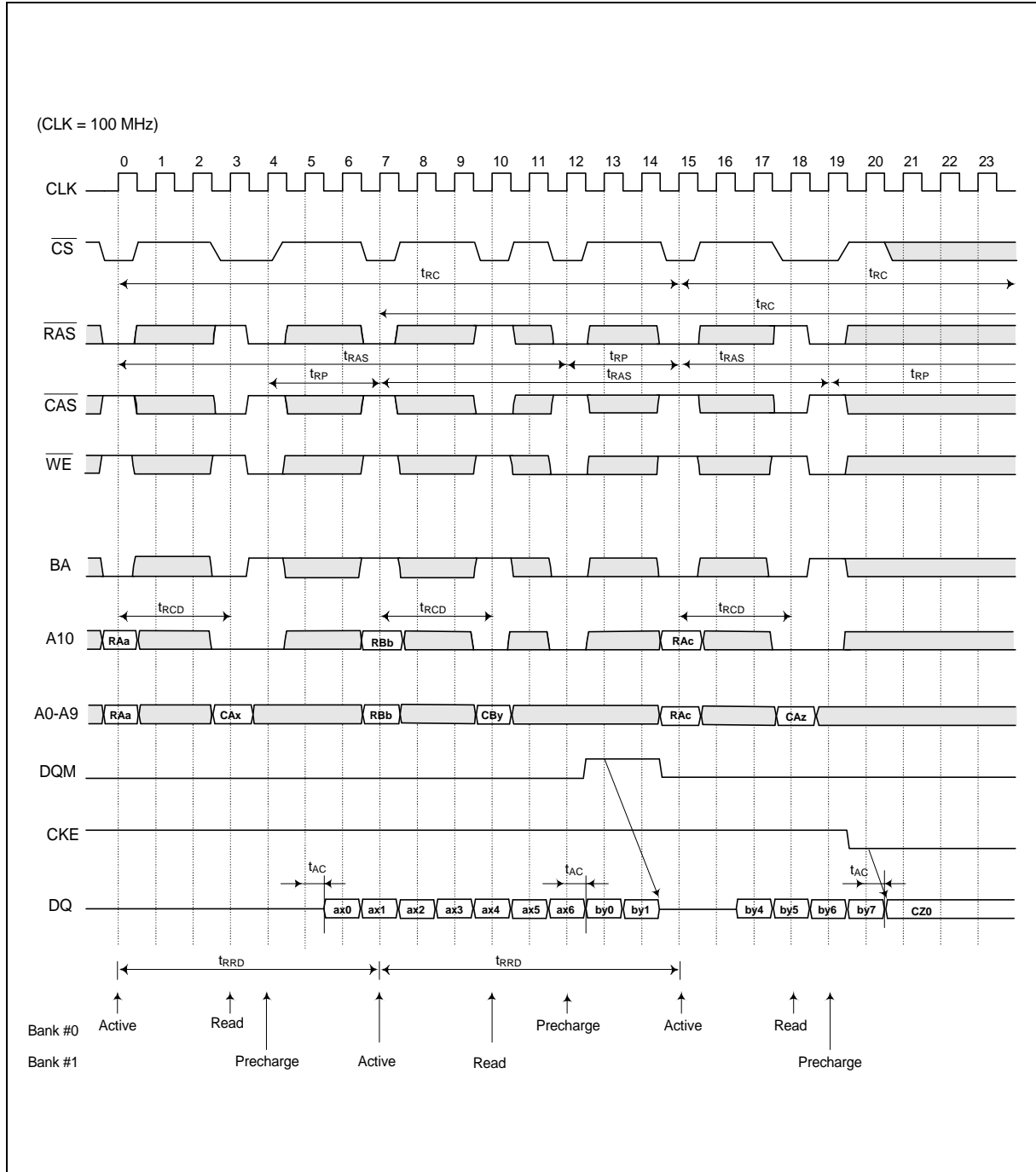
Interleaved Bank Read (Burst Length = 4, CAS Latency = 3, Auto Precharge)





Operating Timing Example, continued

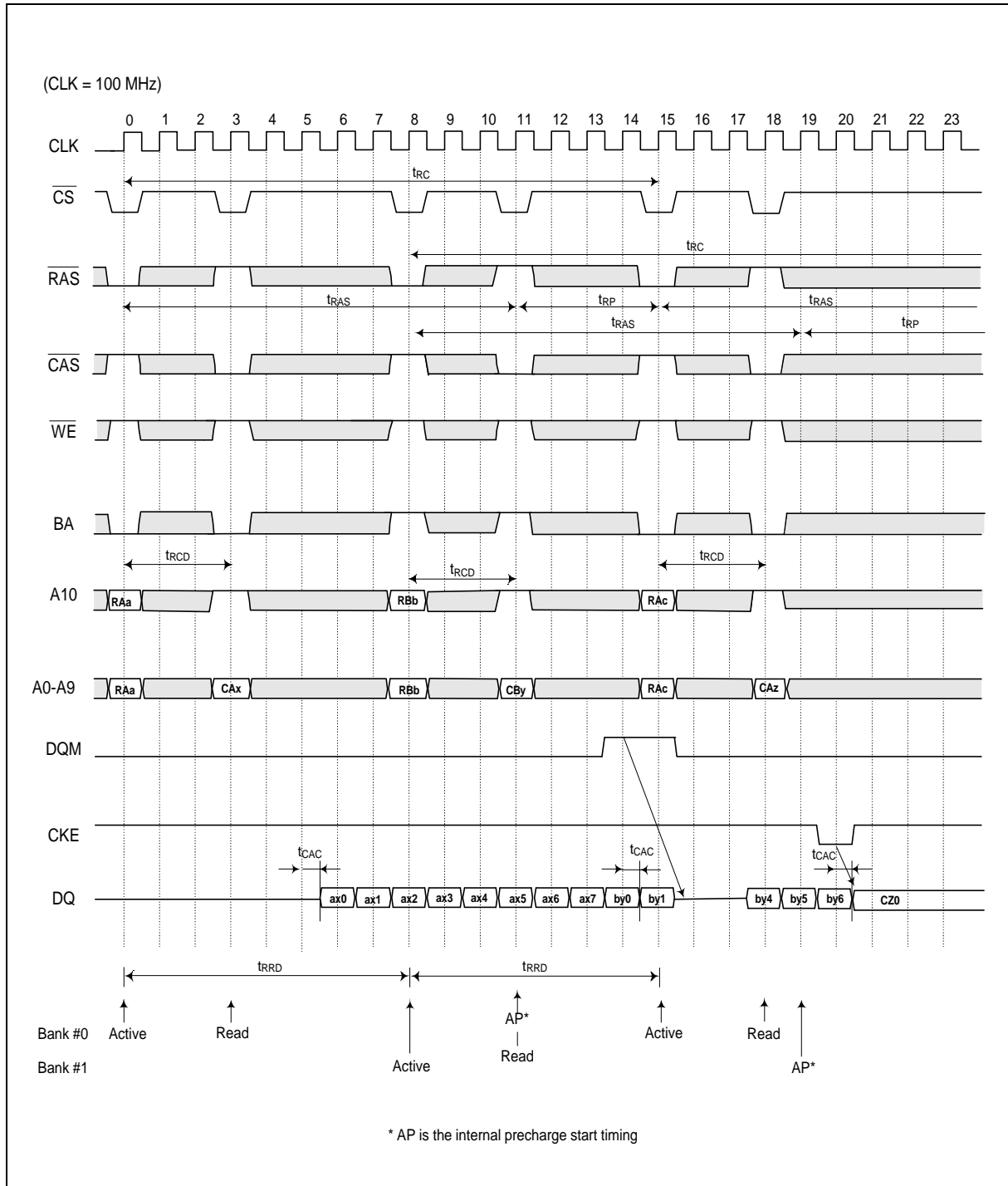
Interleaved Bank Read (Burst Length = 8, CAS Latency = 3)





Operating Timing Example, continued

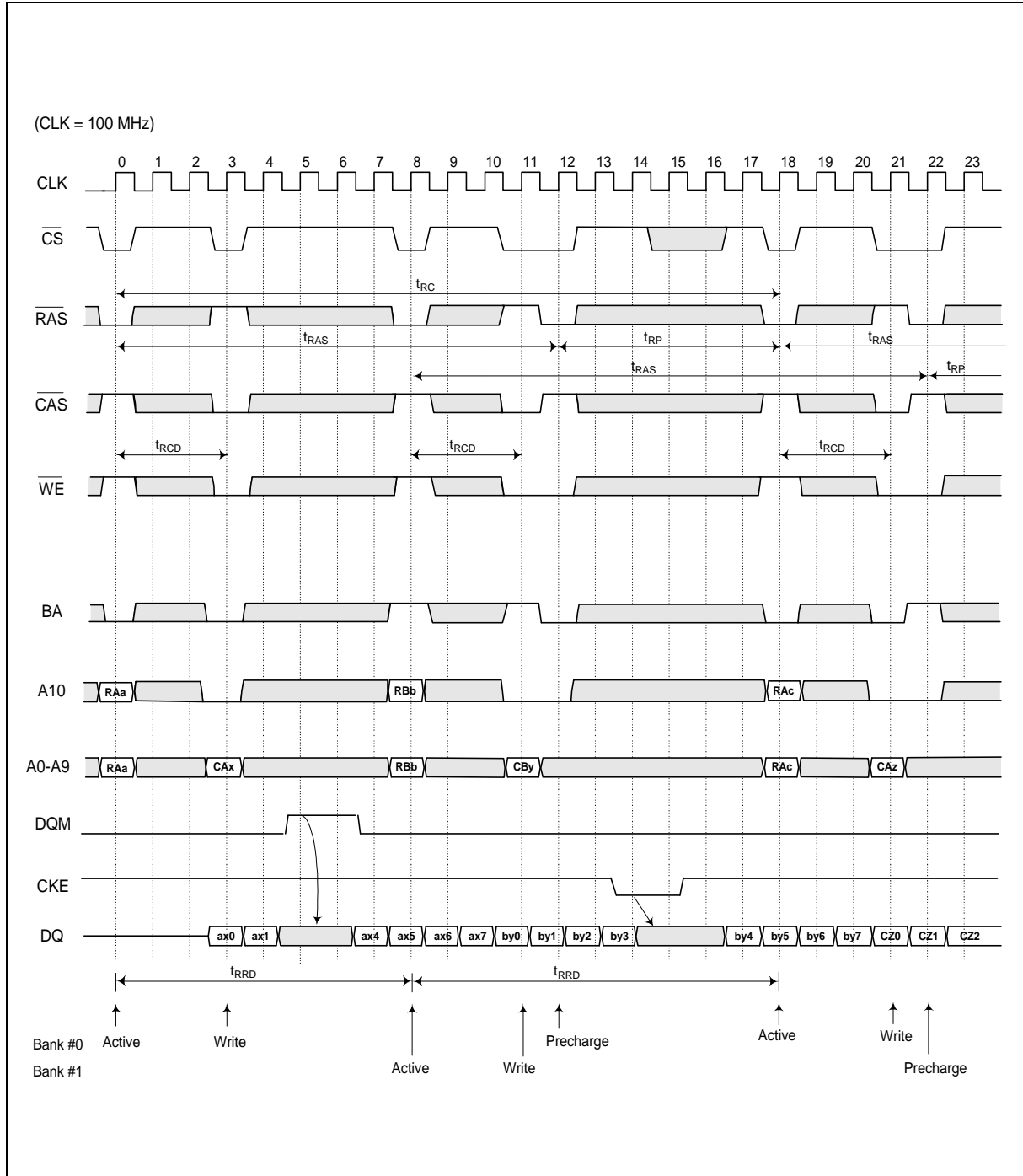
Interleaved Bank Read (Burst Length = 8, CAS Latency = 3, Auto Precharge)





Operating Timing Example, continued

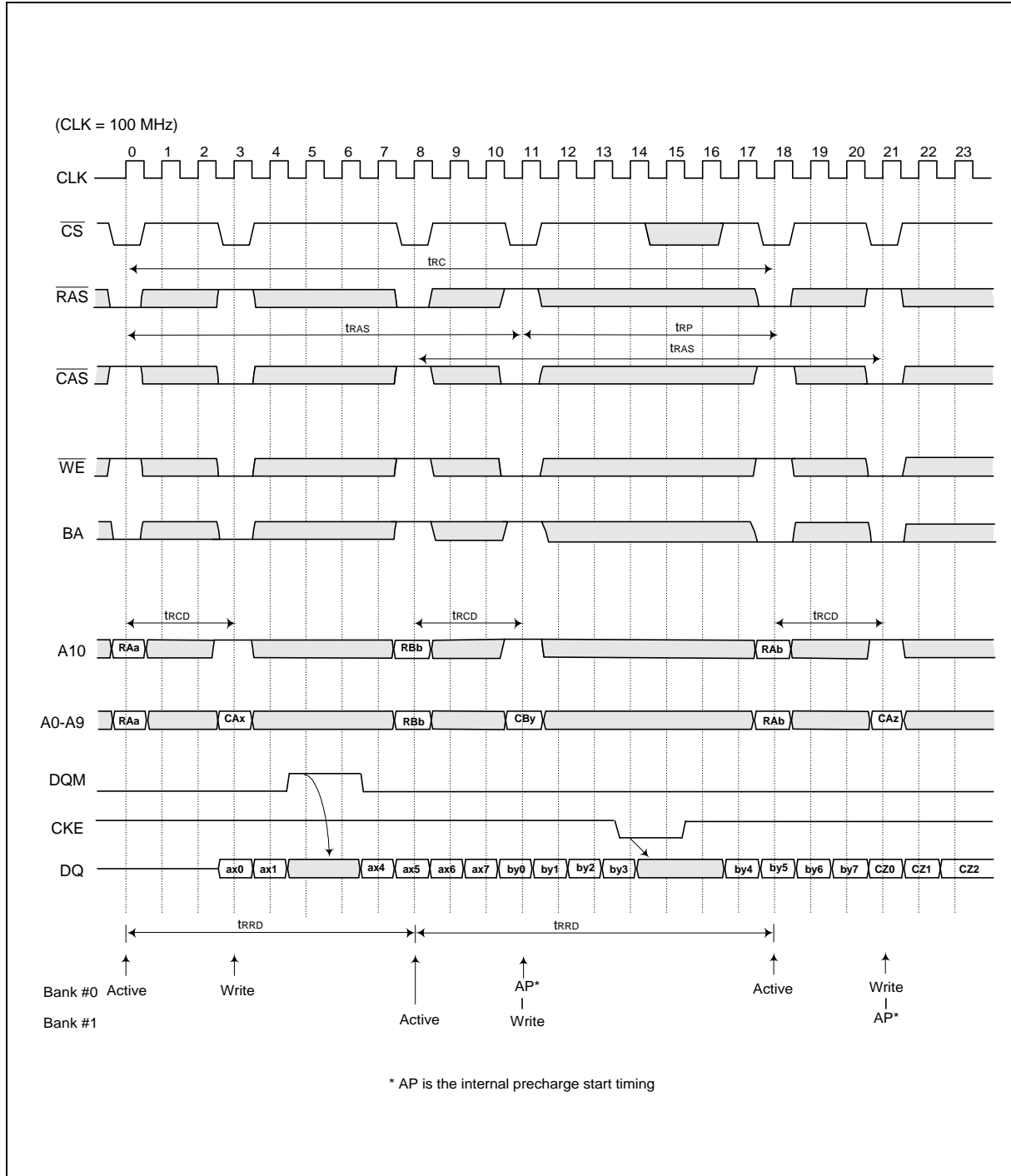
Interleaved Bank Write (Burst Length = 8)





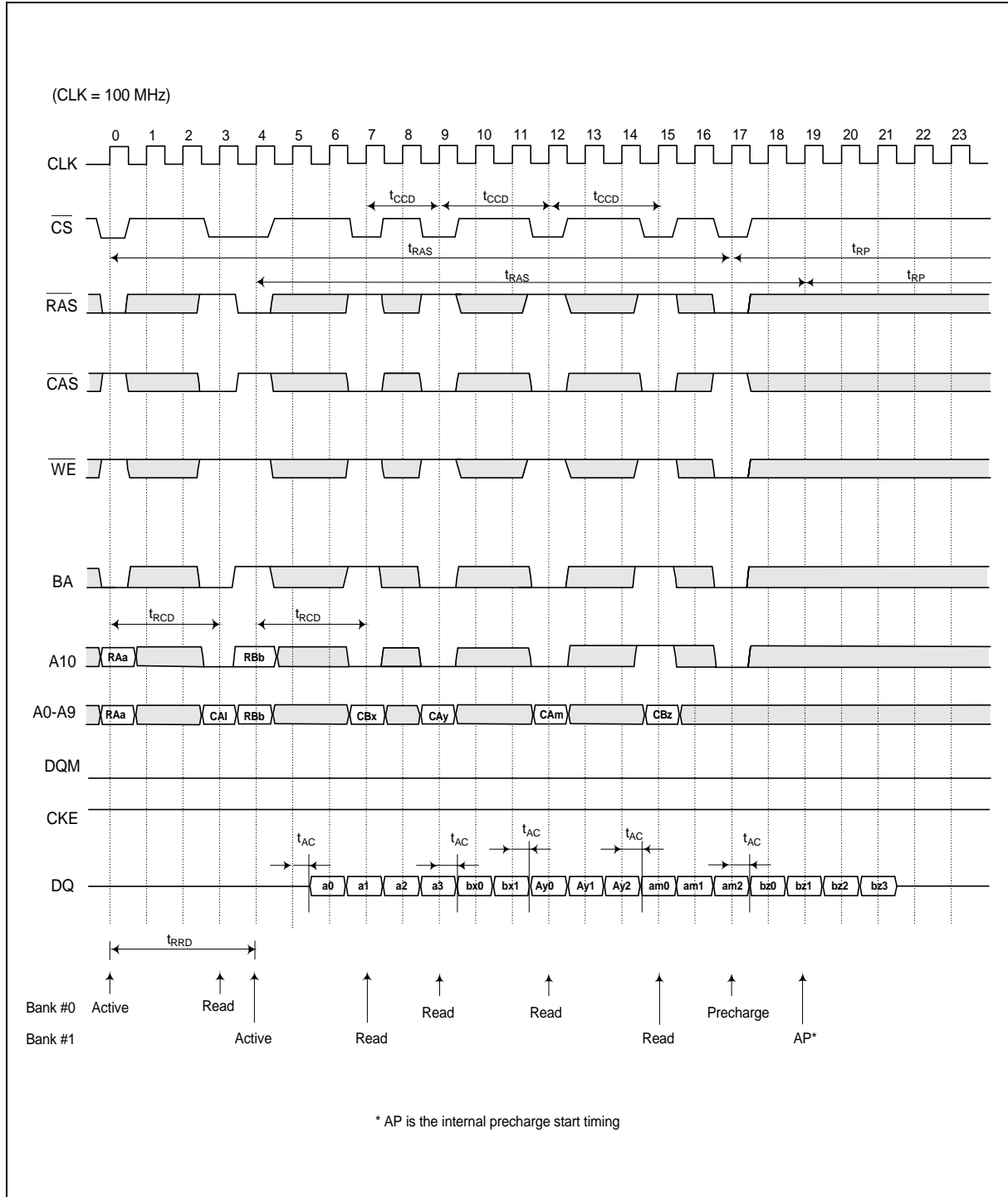
Operating Timing Example, continued

Interleaved Bank Write (Burst Length = 8, Auto Precharge)



Operating Timing Example, continued

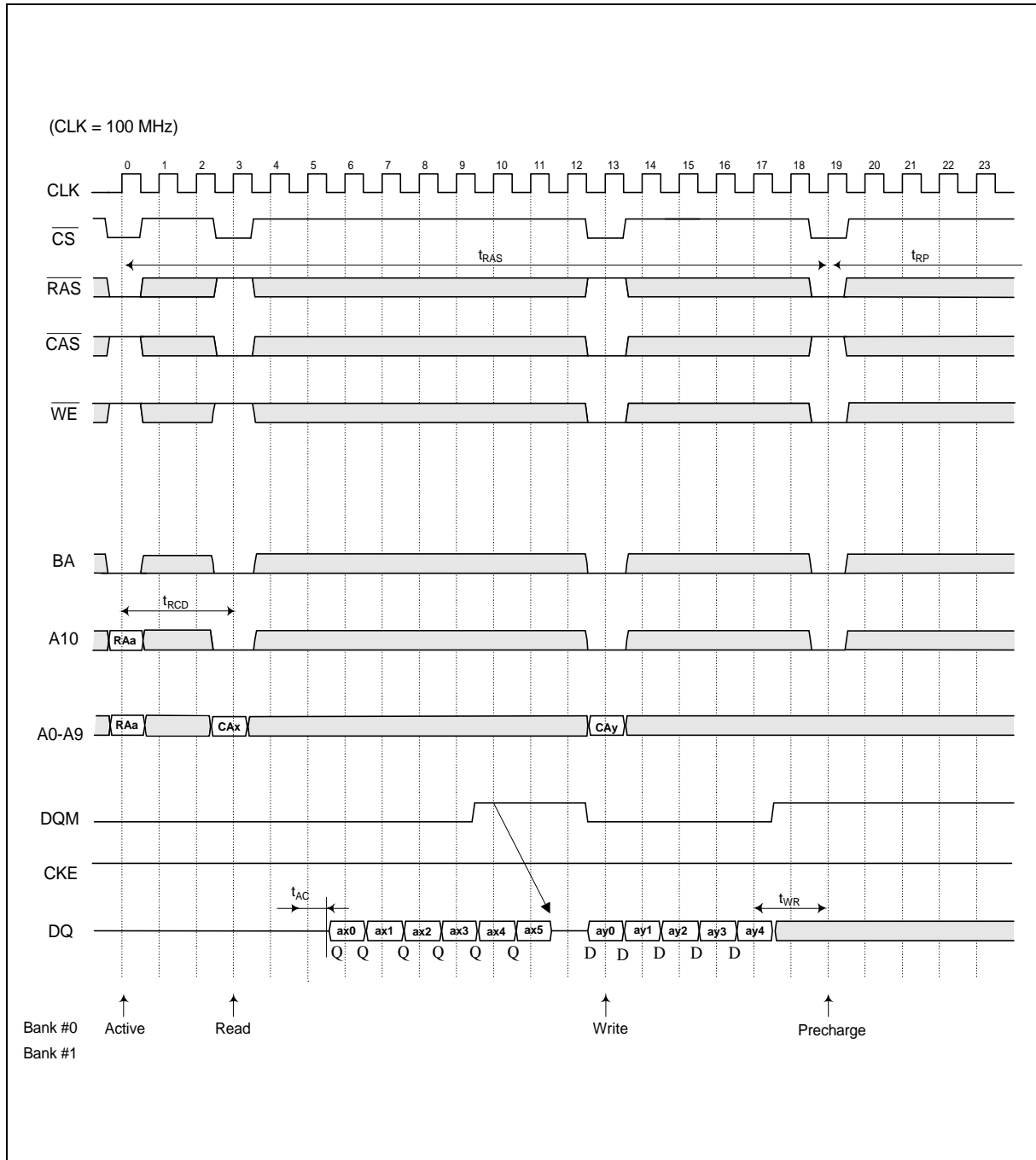
Page Mode Read (Burst Length = 4, CAS Latency = 3)





Operating Timing Example, continued

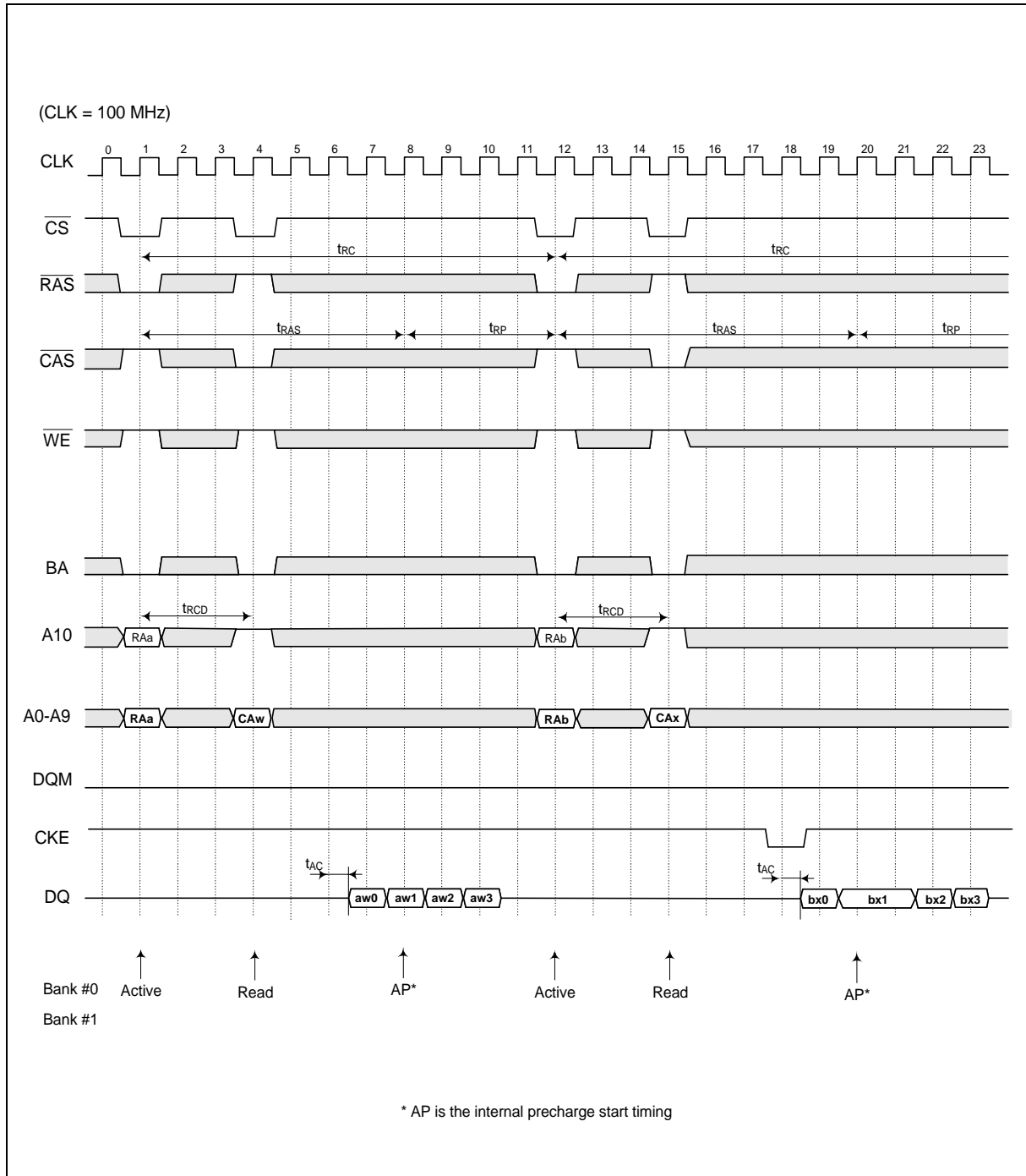
Page Mode Read/Write (Burst Length = 8, CAS Latency = 3)





Operating Timing Example, continued

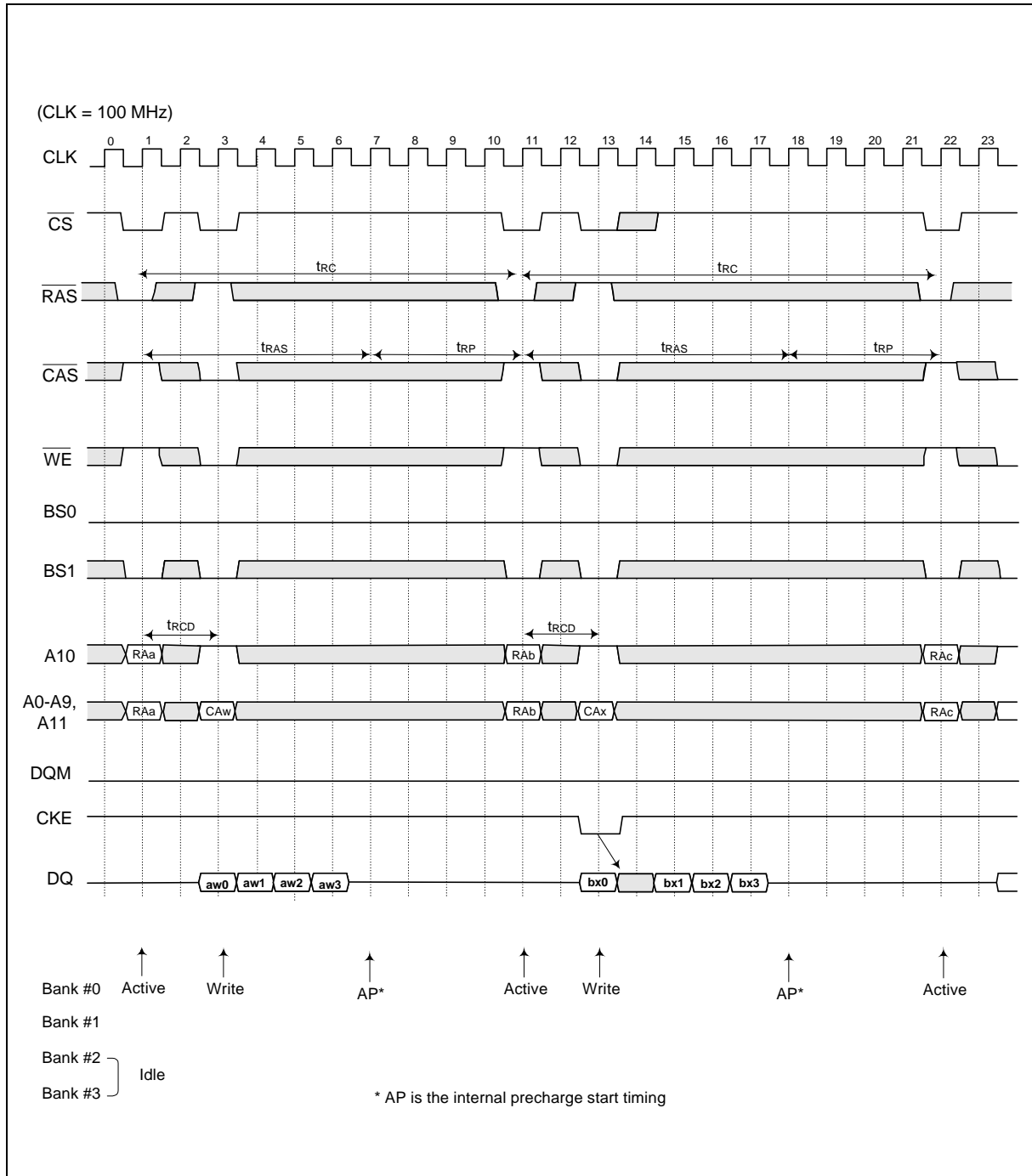
Auto Precharge Read (Burst Length = 4, CAS Latency = 3)





Operating Timing Example, continued

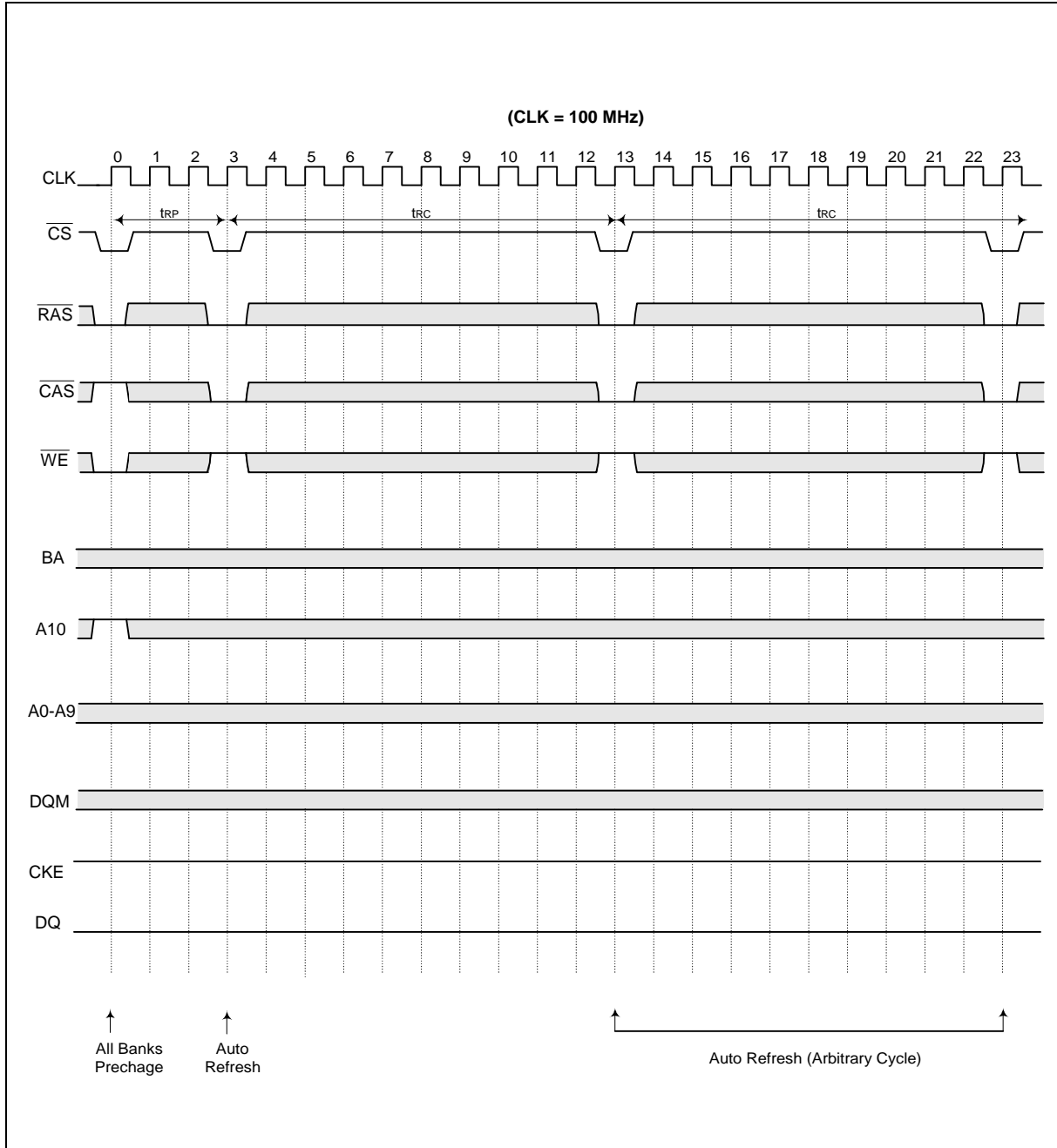
Auto Precharge Write (Burst Length = 4)





Operating Timing Example, continued

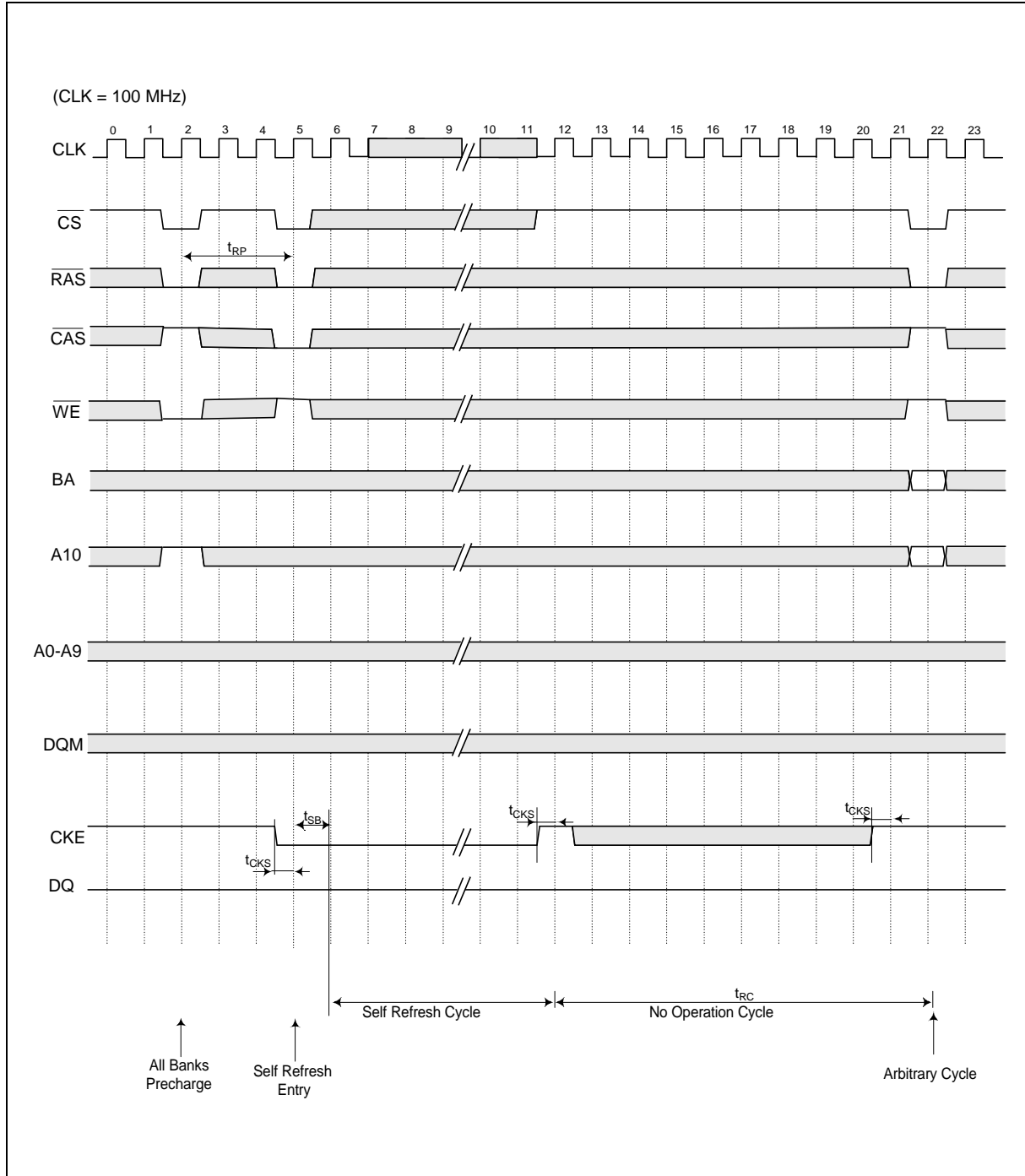
Auto Refresh Cycle





Operating Timing Example, continued

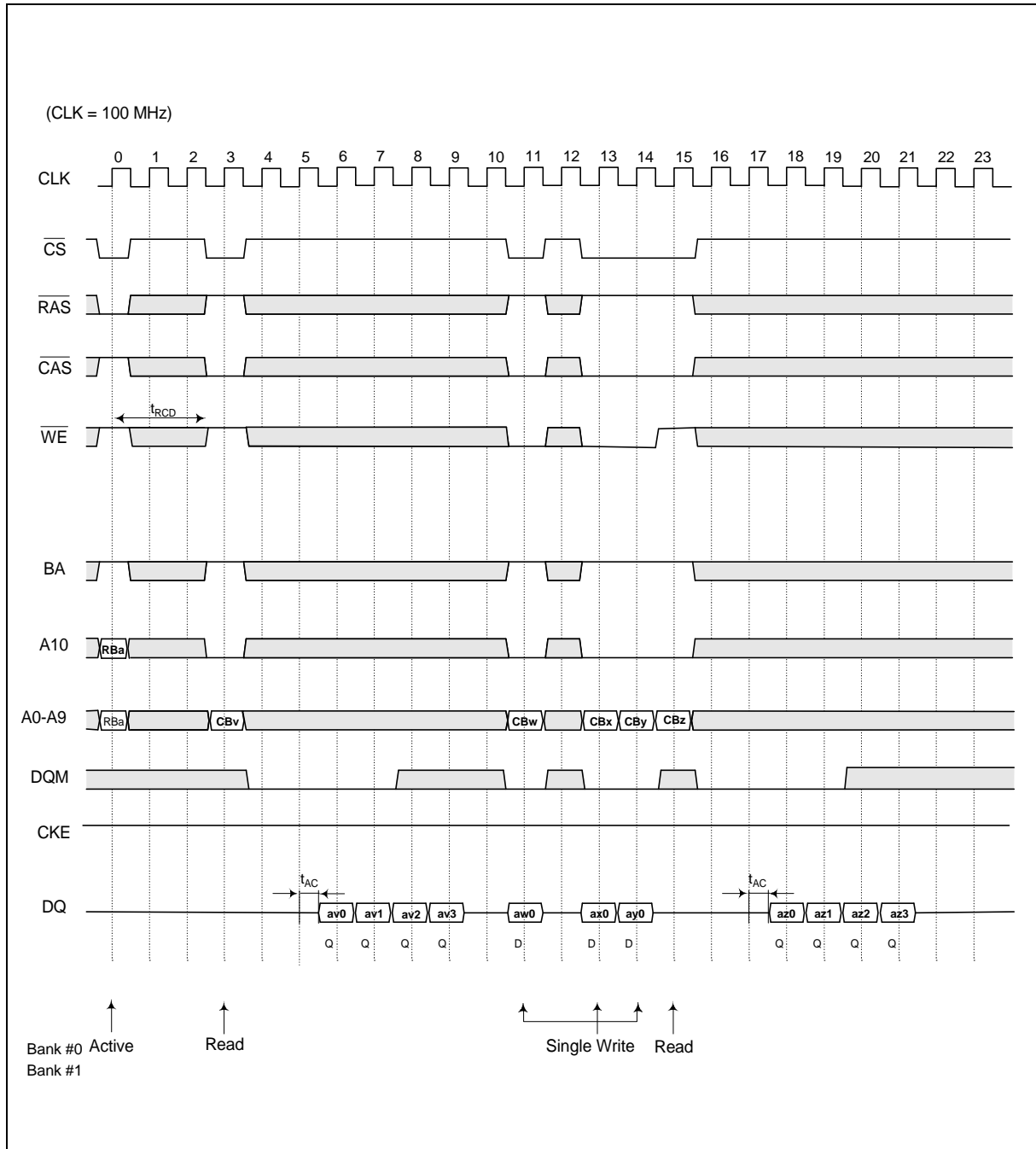
Self Refresh Cycle





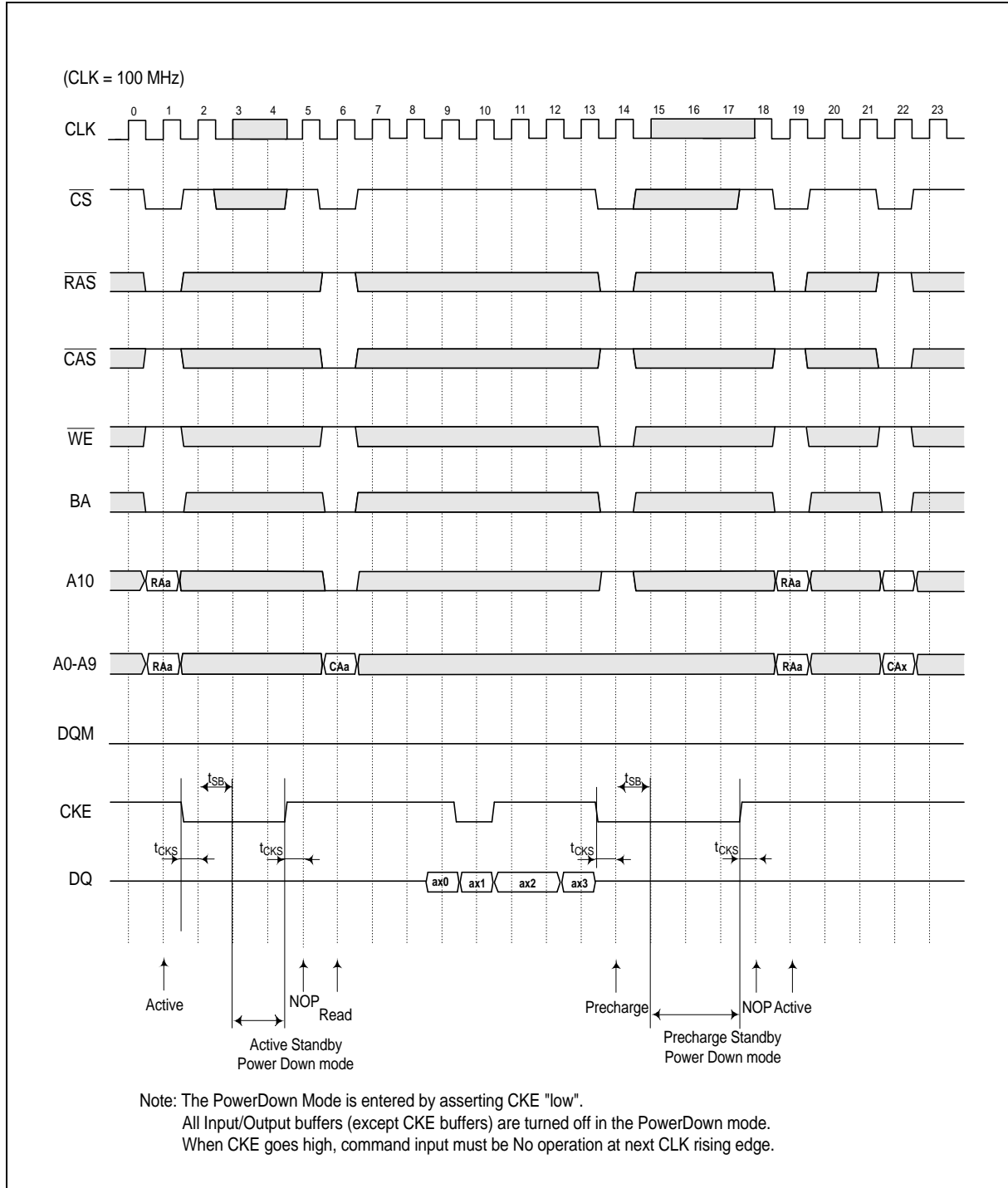
Operating Timing Example, continued

Burst Read and Single Write (Burst Length = 4, CAS Latency = 3)



Operating Timing Example, continued

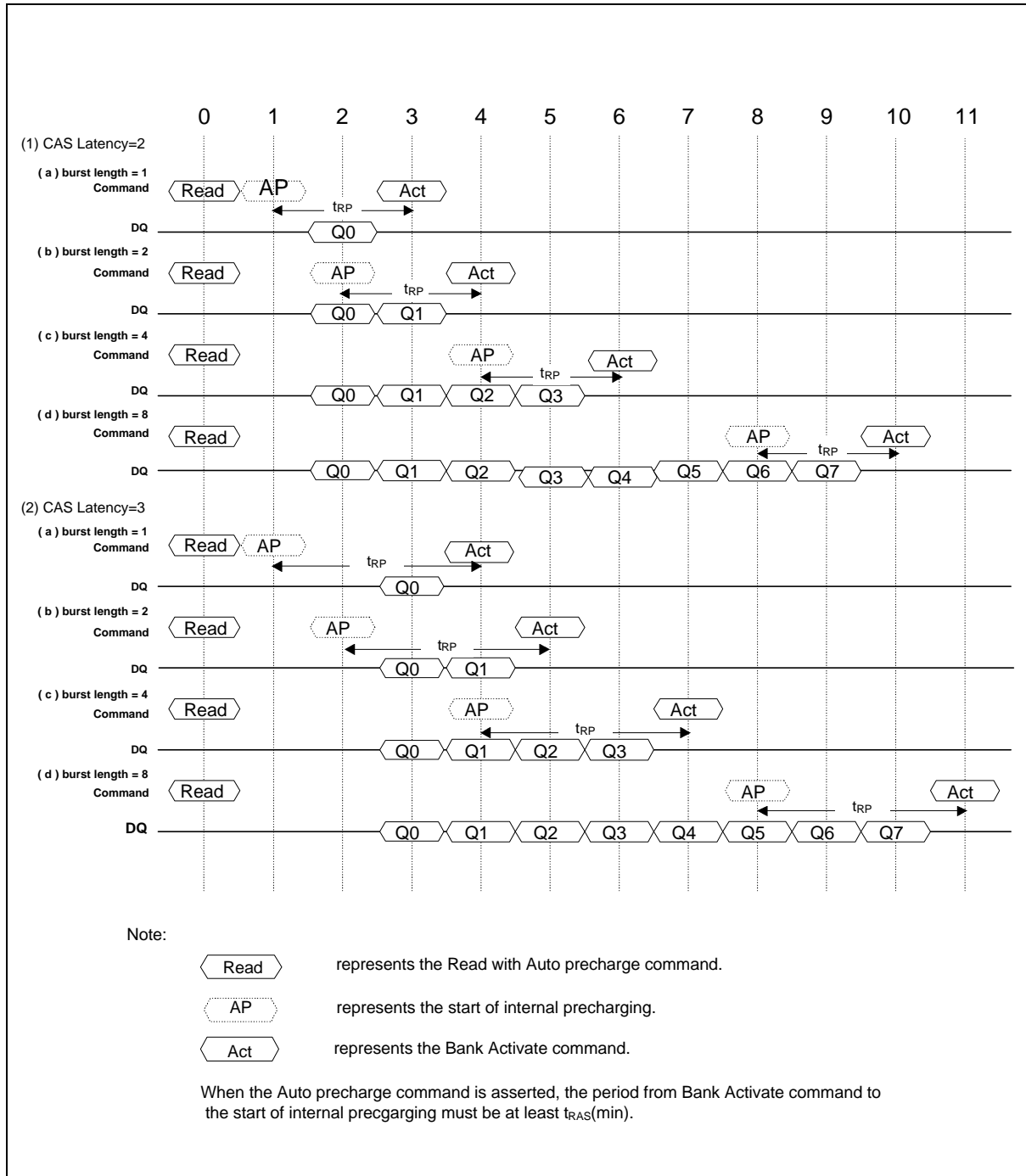
Power-down Mode





Operating Timing Example, continued

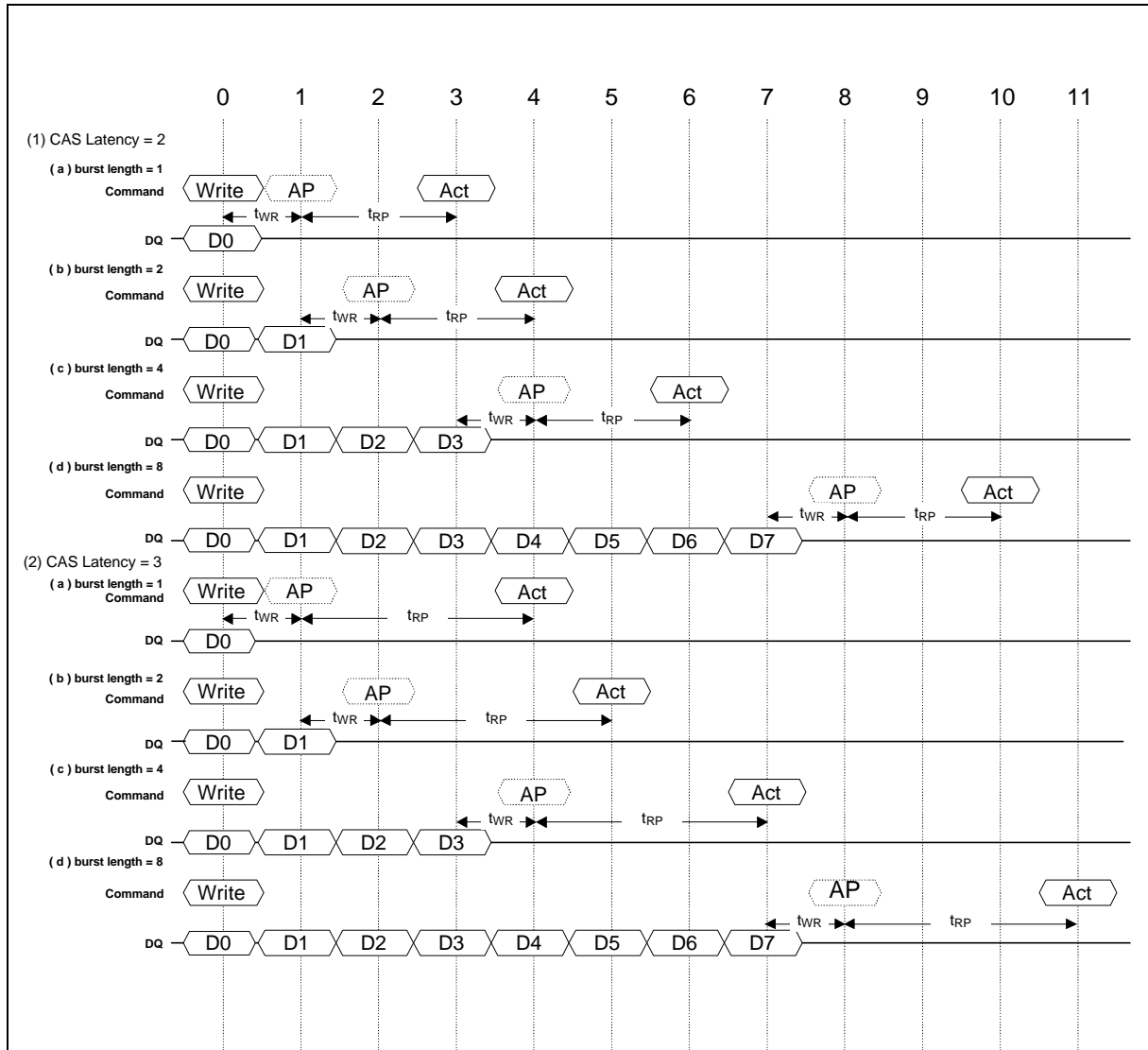
Auto Precharge Timing (Read Cycle)





Operating Timing Example, continued

Auto Precharge Timing (Write Cycle)



Note:

represents the Write with Auto precharge command.

represents the start of internal precharging.

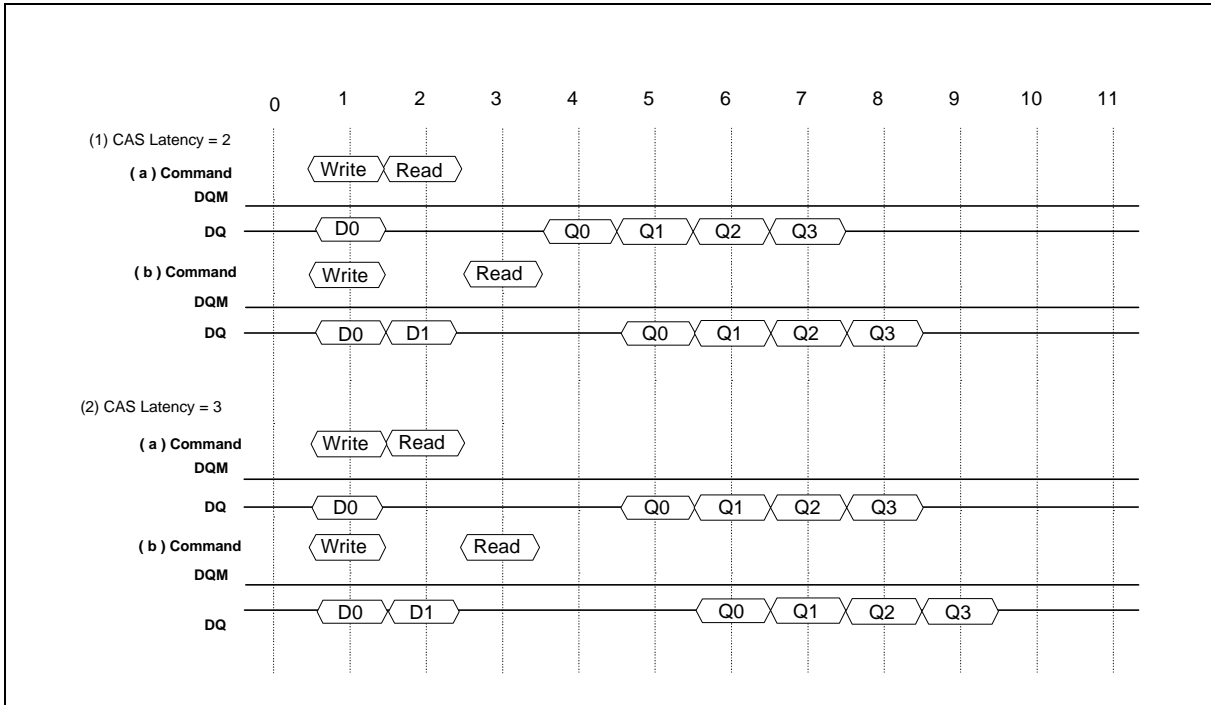
represents the Bank Activate command.

When the Auto precharge command is asserted, the period from Bank Activate command to the start of internal precharging must be at least t_{RAP} (min).

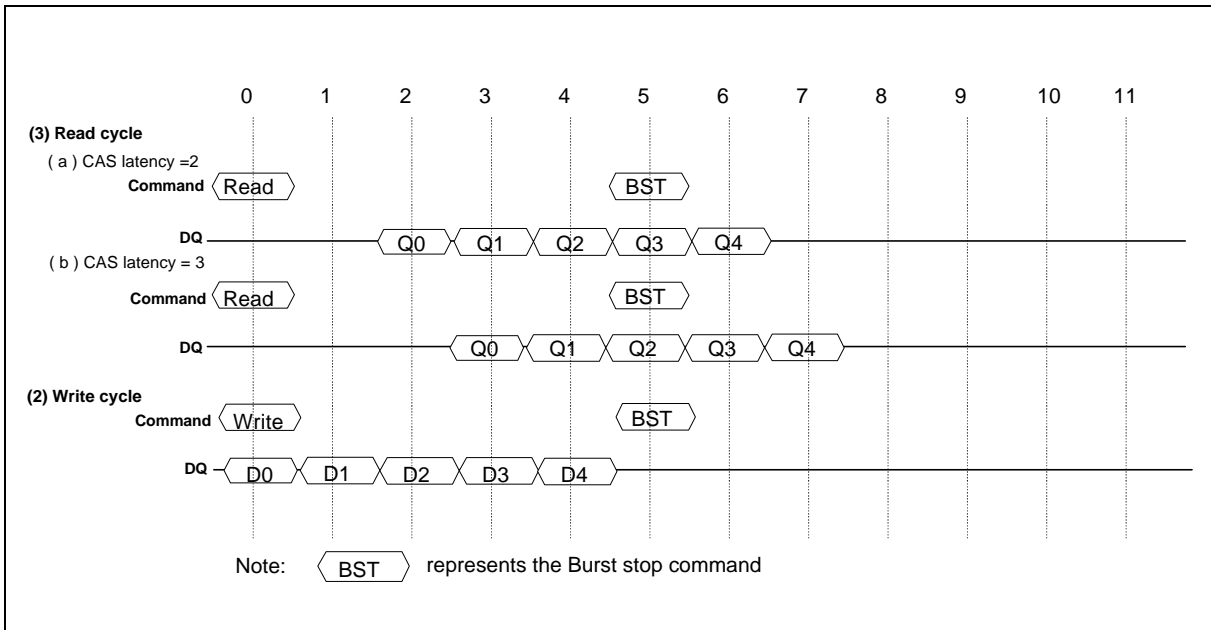


Operating Timing Example, continued

Timing Chart of Write-to-Read Cycle (In the case of Burst Length = 4)



Timing Chart of Burst Stop Cycle (Burst Stop Command)

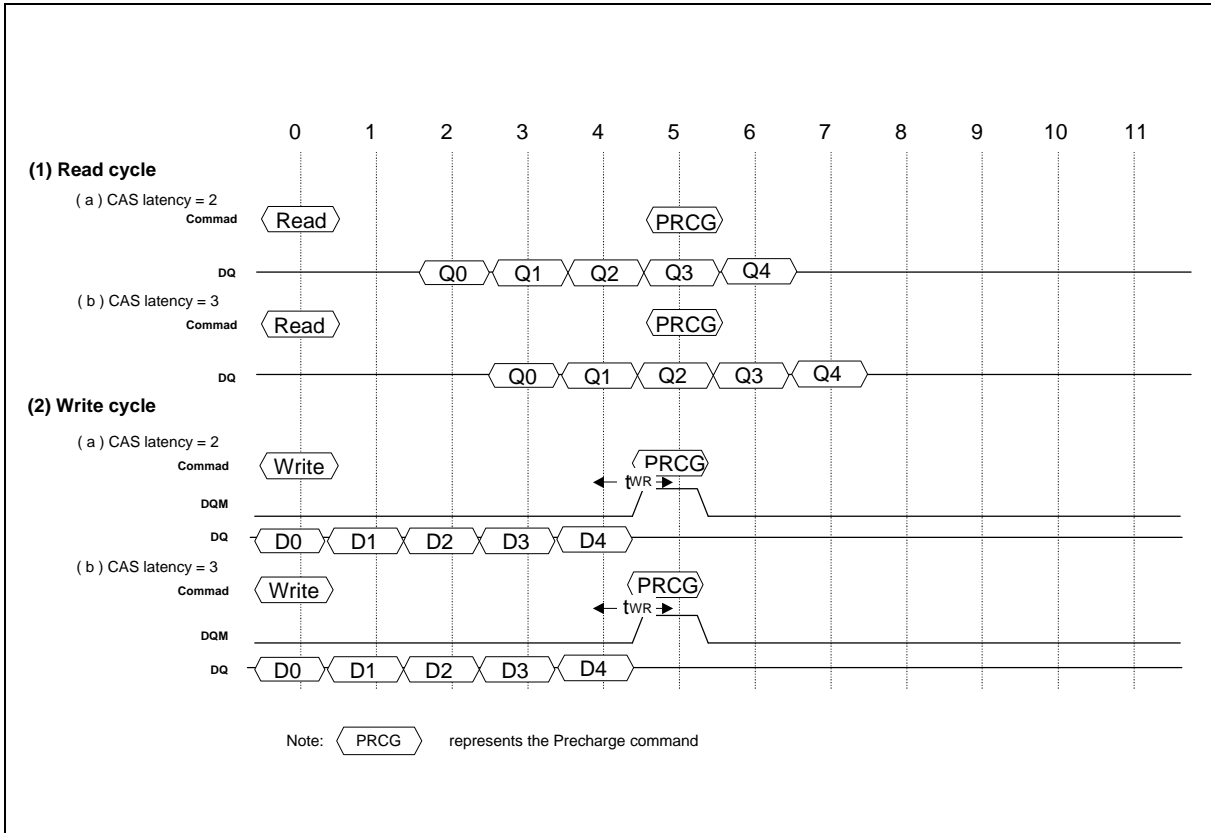




Operating Timing Example, continued

Timing Chart of Burst Stop Cycle (Prechare Command)

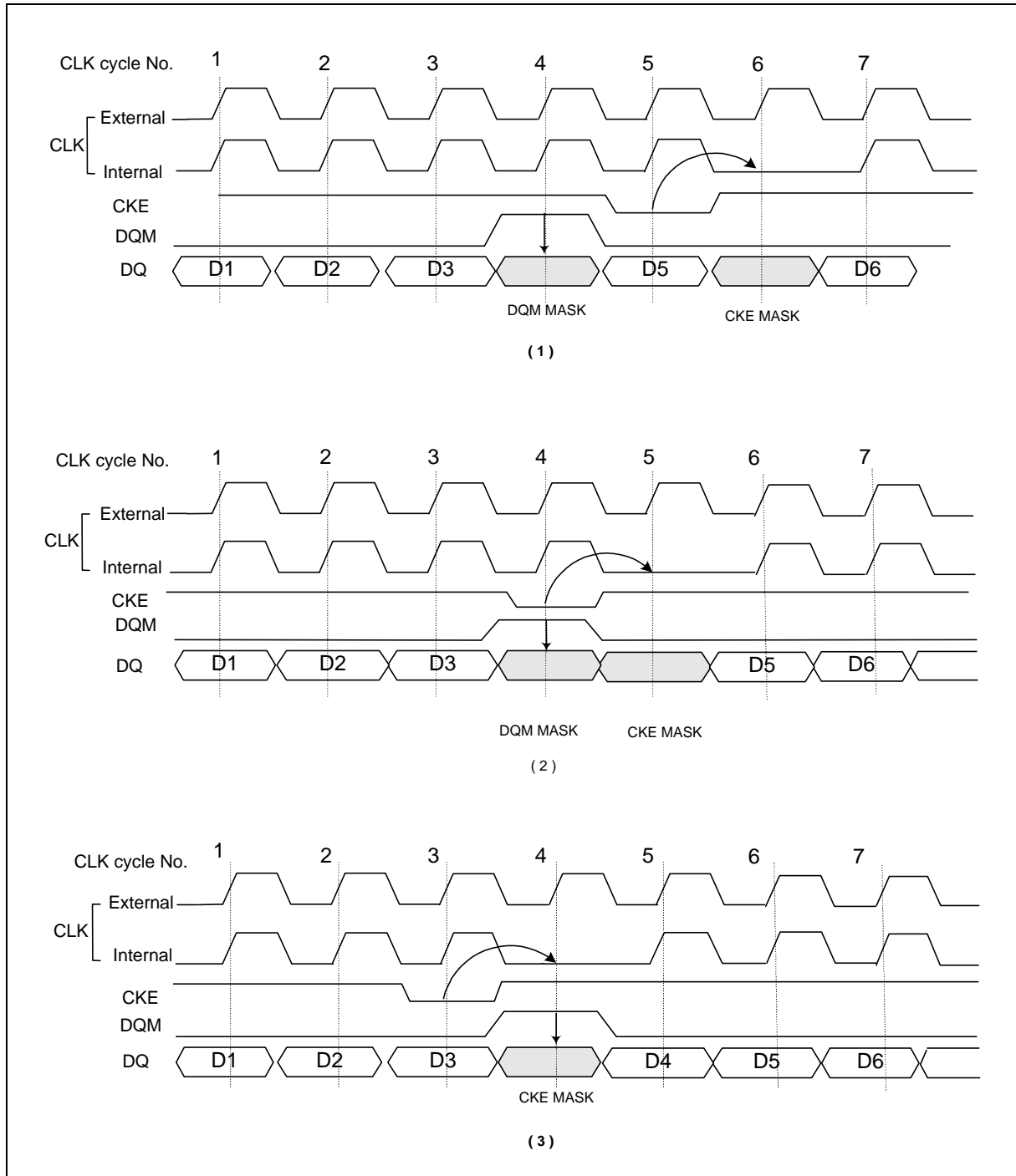
(In the case of Burst Length = 8)





Operating Timing Example, continued

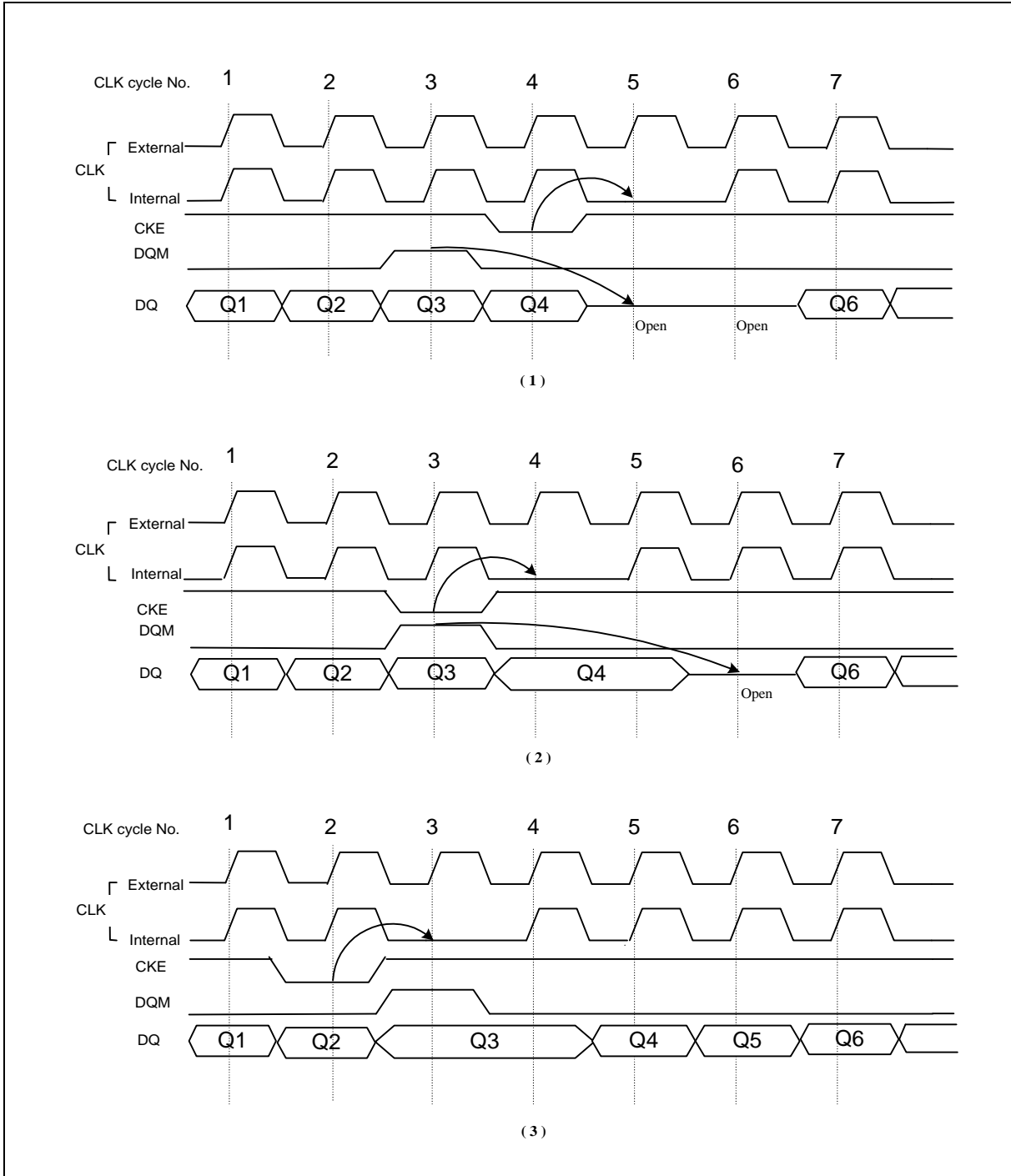
CKE/DQM Input Timing (Write Cycle)





Operating Timing Example, continued

CKE/DQM Input Timing (Read Cycle)

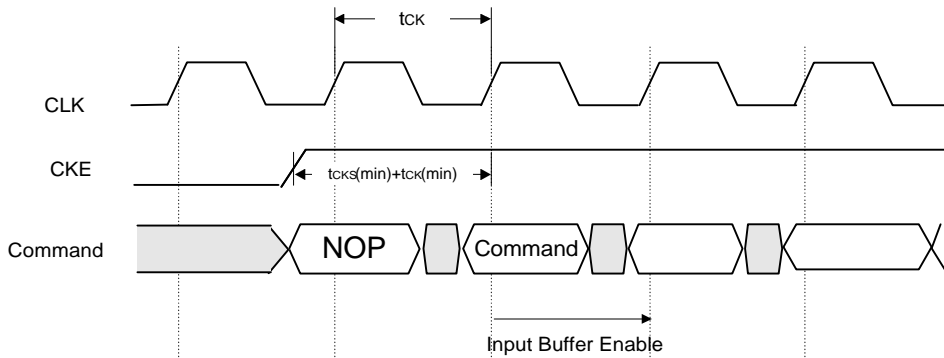


Operating Timing Example, continued

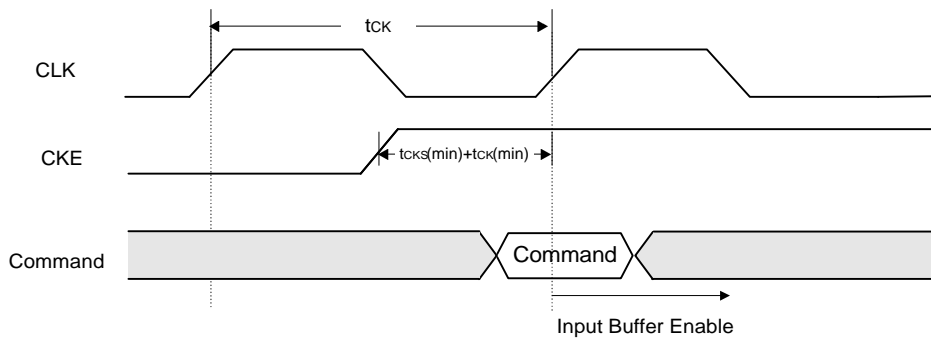
Self Refresh/Power-down Mode Exit Timing

Asynchronous Control
 Input Buffer turn on time (Power down mode exit time) is specified by $t_{CKS(min)} + t_{CK(min)}$

A) $t_{CK} < t_{CKS(min)} + t_{CK(min)}$


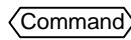


B) $t_{CK} \geq t_{CKS(min)} + t_{CK(min)}$



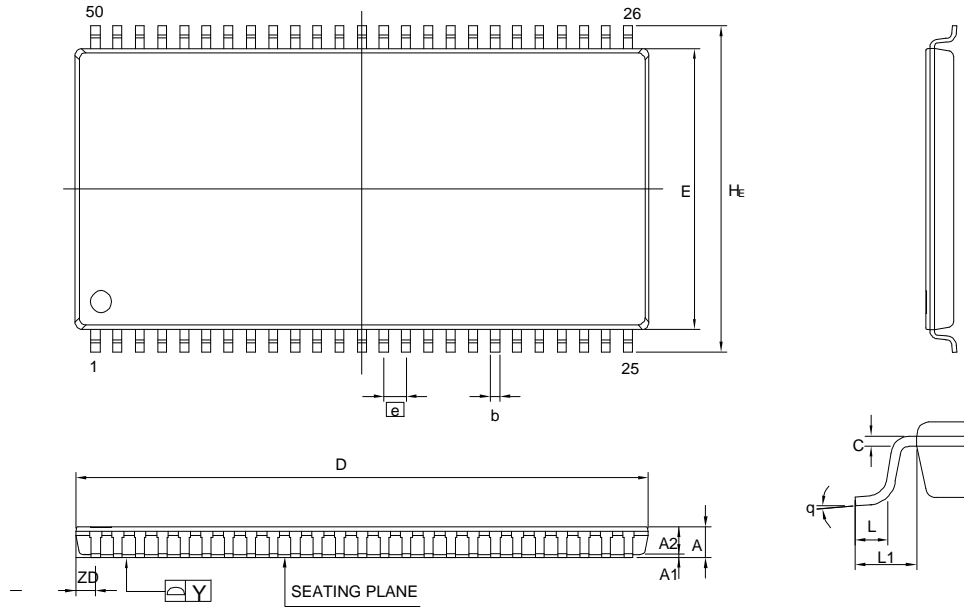
Note)

All Input Buffer(Include CLK Buffer) are turned off in the Power Down mode and Self Refresh mode

-  Represents the No-Operation command
-  Represents one command

12. PACKAGE DIMENSIONS

50L-TSOP (II) 400 mill



Controlling Dimension: Millimeters

SYM.	DIMENSION(MM)			DIMENSION (INCH)		
	MIN.	NOM.	MAX.	MIN.	NOM.	MAX.
A	—	—	1.20	—	—	0.047
A1	0.05	0.10	0.15	0.002	0.004	0.006
A2	0.90	1.00	1.10	0.035	0.039	0.043
b	0.30	—	0.45	0.012	—	0.018
c	0.10	0.15	0.20	0.004	0.006	0.008
D	20.82	20.95	21.08	0.820	0.825	0.830
E	10.03	10.16	10.29	0.395	0.400	0.405
HE	11.56	11.76	11.96	0.455	0.463	0.471
[e]	—	0.80	—	—	0.031	—
L	0.40	0.50	0.60	0.016	0.020	0.024
L1	—	0.80	—	—	0.031	—
Y	—	—	0.10	—	—	0.004
ZD	—	0.88	—	—	0.031	—
q	0°	—	10°	0°	—	10°



13. VERSION HISTORY

VERSION	DATE	PAGE	DESCRIPTION
A3	May 2001	-	Final release
A4	Dec. 25, 2001	1, 12	Improve self refresh current (Icc6) from 1.5 mA to 1 mA



Headquarters

No. 4, Creation Rd. III,
Science-Based Industrial Park,
Hsinchu, Taiwan
TEL: 886-3-5770066
FAX: 886-3-5665577
<http://www.winbond.com.tw/>

Taipei Office

11F, No. 115, Sec. 3,
Min-Sheng East. Rd.,
Taipei, Taiwan
TEL: 886-2-27190505
FAX: 886-2-27197502

Winbond Electronics Corporation America

2727 North First Street, San Jose,
CA 95134, U.S.A.
TEL: 1-408-9436666
FAX: 1-408-5441798

Winbond Electronics Corporation Japan

7F Daini-ueno BLDG, 3-7-18
Shinyokohama Kohoku-ku,
Yokohama, 222-0033
TEL: 81-45-4781881
FAX: 81-45-4781800

Winbond Electronics (Shanghai) Ltd.

27F, 2299 Yan An W. Rd. Shanghai,
200336 China
TEL: 86-21-62365999
FAX: 86-21-62365998

Winbond Electronics (H.K.) Ltd.

Unit 9-15, 22F, Millennium City,
No. 378 Kwun Tong Rd.,
Kowloon, Hong Kong
TEL: 852-27513100
FAX: 852-27552064

*Please note that all data and specifications are subject to change without notice.
All the trade marks of products and companies mentioned in this data sheet belong to their respective owners.*