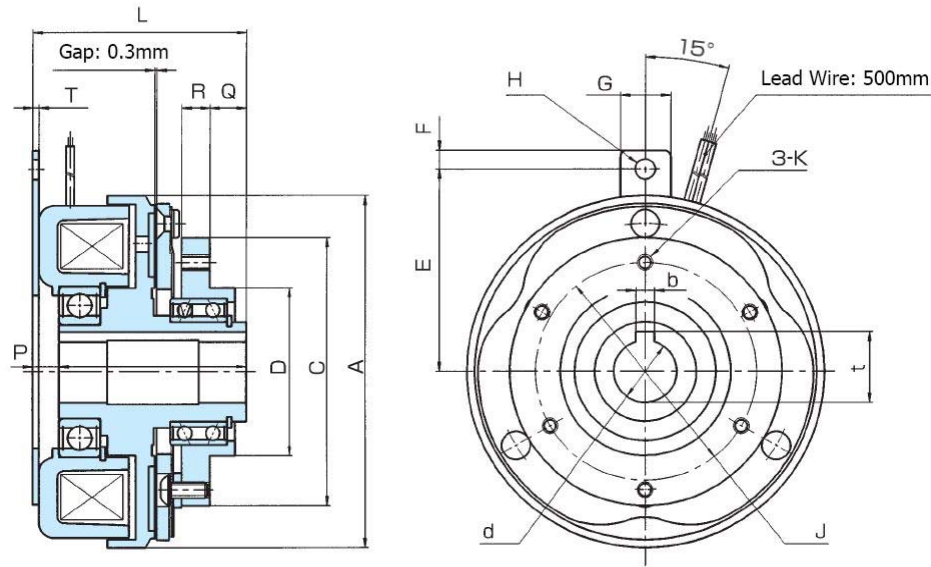


# VCEH-P / VCSH-P

# EM Clutch (one piece high torque design)

Types: 1.2, 2.5, 5

[ EM: Electromagnet ]



[ Special Order ]

| VCEH-P / VCSH-P                                |                   | 1.2P                 |                   | 2.5P                 |                   | 5P                   |                   |
|--|-------------------|----------------------|-------------------|----------------------|-------------------|----------------------|-------------------|
| Type   |                   | VCEH                 | VCSH <sup>1</sup> | VCEH                 | VCSH <sup>1</sup> | VCEH                 | VCSH <sup>1</sup> |
| Static Torque [ft-lbs / N-m]                   |                   | 11 / 15              |                   | 22 / 30              |                   | 44 / 60              |                   |
| Coil<br>(20°C)                                 | Voltage [DC-V]    |                      |                   | 24                   |                   |                      |                   |
|  | Current [A]       | 0.69                 |                   | 1.04                 |                   | 1.41                 |                   |
|  | Resistance [Ω]    | 35                   |                   | 23                   |                   | 17                   |                   |
|  | Wattage [W]       | 17                   |                   | 25                   |                   | 33                   |                   |
| Armature                                       | Pull-In Time [ms] | 15                   |                   | 25                   |                   | 40                   |                   |
|  | Release Time [ms] | 35                   |                   | 55                   |                   | 75                   |                   |
| Torque Build-Up Time [ms]                      |                   | 45                   |                   | 65                   |                   | 80                   |                   |
| Max Allowable Speed [rpm]                      |                   | 6000                 |                   | 5500                 |                   | 4500                 |                   |
| Moment of Inertia (J)<br>[kg-cm <sup>2</sup> ] | Rotor             | 3                    | 3.3               | 8.4                  | 9.4               | 25.4                 | 28.2              |
|  | Armature          | 3.8                  | 3.9               | 8.6                  | 9                 | 26                   | 26.8              |
| Total Energy Until Life [J]                    |                   | 13 x 10 <sup>7</sup> |                   | 25 x 10 <sup>7</sup> |                   | 49 x 10 <sup>7</sup> |                   |
| Bore [mm]                                      | dH7               | 15                   |                   | 20                   |                   | 25                   |                   |
| Key Way [mm]                                   | bJs9              | 5                    |                   | 6                    |                   | 8                    |                   |
|  | t                 | 17.3+0.15/-0         |                   | 22.8+0.15/-0         |                   | 28.3+0.2/-0          |                   |
|  | A                 | 90                   |                   | 113                  |                   | 142                  |                   |
| Dimensions<br>[mm]                             | Ch8               | 76                   |                   | 86                   |                   | 106                  |                   |
|  | Dh8               | 54                   |                   | 54                   |                   | 72                   |                   |
|  | E                 | 56                   |                   | 65                   |                   | 78                   |                   |
|  | F                 | 6                    |                   | 6                    |                   | 6                    |                   |
|  | G                 | 16                   |                   | 16                   |                   | 16                   |                   |
|  | H                 | 5.5                  |                   | 6.5                  |                   | 6.5                  |                   |
|  | J                 | 66                   |                   | 70                   |                   | 90                   |                   |
|  | K                 | M4                   |                   | M5                   |                   | M6                   |                   |
|  | L                 | 64                   |                   | 67.5                 |                   | 76.5                 |                   |
|  | M                 | 56                   |                   | 59                   |                   | 70                   |                   |
|  | P                 | 8                    |                   | 8.5                  |                   | 6.5                  |                   |
|  | Q                 | 15                   | 14.5              | 11.5                 | 10.6              | 15.5                 | 14.5              |
|  | R                 | 7.9                  |                   | 9                    |                   | 11                   |                   |
| T  | 2                 |                      | 2                 |                      | 2                 |                      |                   |
| Weight [lbs / kg]                              |                   | 3.7 / 1.7            |                   | 6.2 / 2.8            |                   | 11 / 5               |                   |

[ Included parts & accessories : surge protector ]

[ 1 inch = 25.4 mm ]

[ Note 1 : Silent type ]

Ogura Industrial  
100 Randolph Rd.  
Somerset, NJ 08875

[www.ogura-clutch.com](http://www.ogura-clutch.com)  
[info@ogura-clutch.com](mailto:info@ogura-clutch.com)  
(732) 271-7361