






EZ-LIGHT™ 2- or 3-Color General-Purpose Indicators



DC-Operated LED Indicators with Two or Three Colors

For the latest technical information about this product, including specifications, dimensions, and wiring, see www.bannerengineering.com.

	Models*		LED Function — 2 or 3 Lights, Independently Selected			Construction
	PNP Input	NPN Input	Color 1	Color 2	Color 3	
	T8LGRXPQP	T8LGRXNQP	Green	Red	—	<ul style="list-style-type: none"> Polycarbonate/ABS alloy housing, thermoplastic diffuser IP67
	T8LGXYPQP	T8LGXYNQP	Green	—	Yellow	
	T8LXRYQPQ	T8LXRYNQP	—	Red	Yellow	
	M18GRXPQ	M18GRXNQ	Green	Red	—	<ul style="list-style-type: none"> Nickel-plated brass housing, thermoplastic diffuser Fully encapsulated IP67
	M18GXYPQ	M18GXYNQ	Green	—	Yellow	
	M18XRYQP	M18XRYNQ	—	Red	Yellow	
	M18GRYPQ	M18GRYNQ	Green	Red	Yellow	
	T18GRXPQ	T18GRXNQ	Green	Red	—	<ul style="list-style-type: none"> Thermoplastic polyester housing, thermoplastic diffuser Fully encapsulated IP67
	T18GXYPQ	T18GXYNQ	Green	—	Yellow	
	T18XRYQP	T18XRYNQ	—	Red	Yellow	
	T18GRYPQ	T18GRYNQ	Green	Red	Yellow	
	T30GRXPQ	T30GRXNQ	Green	Red	—	<ul style="list-style-type: none"> Thermoplastic polyester housing, thermoplastic diffuser Fully encapsulated IP67
	T30GXYPQ	T30GXYNQ	Green	—	Yellow	
	T30XRYQP	T30XRYNQ	—	Red	Yellow	
	T30GRYPQ	T30GRYNQ	Green	Red	Yellow	
	K30LGRXPQ	K30LGRXNQ	Green	Red	—	<ul style="list-style-type: none"> 22 mm threaded polycarbonate base, translucent polycarbonate dome Fully encapsulated IP67, IP69K
	K30LGXYPQ	K30LGXYNQ	Green	—	Yellow	
	K30LXRYQP	K30LXRYNQ	—	Red	Yellow	
	K30LGRYPQ	K30LGRYNQ	Green	Red	Yellow	



NOTE: More models on next page

* A QD model requires a mating cable; see Accessories list.




T8L Models: Standard pigtail QD models are listed. For integral 4-wire cable model, omit suffix QP (example, T8LGRXP).

K80L Models: Standard 4-pin Euro integral QD connector models are listed. For terminal-wired model, omit suffix Q (example, K80LGRXP).

Other Models: Standard 4-pin Euro integral QD connector models are listed. For 2 m (6.5') integral 4-wire cable model, omit suffix Q (example, M18GRXP). For 150 mm (6") PVC pigtail with 4-pin Euro connector, replace suffix Q with QP (example, M18GRXPQP).

Contact Factory for other colors/color combinations, including: blue, white, orange.



Models*			LED Function — 2 or 3 Lights, Independently Selected			Construction
	PNP Input	NPN Input	Color 1	Color 2	Color 3	
	K50LGRXPQ	K50LGRXNQ	Green	Red	—	<ul style="list-style-type: none"> • 30 mm polycarbonate base, translucent polycarbonate dome • Fully encapsulated • IP67, IP69K
	K50LGXYPQ	K50LGXYNQ	Green	—	Yellow	
	K50LXRYPQ	K50LXRYNQ	—	Red	Yellow	
	K50LGRYPQ	K50LGRYNQ	Green	Red	Yellow	
	K50FLGRXPQ	K50FLGRXNQ	Green	Red	—	<ul style="list-style-type: none"> • Polycarbonate base, translucent polycarbonate dome • Fully encapsulated • IP67, IP69K
	K50FLGXYPQ	K50FLGXYNQ	Green	—	Yellow	
	K50FLXRYPQ	K50FLXRYNQ	—	Red	Yellow	
	K50FLGRYPQ	K50FLGRYNQ	Green	Red	Yellow	
	K80LGRXPQ	K80LGRXNQ	Green	Red	—	<ul style="list-style-type: none"> • ABS and polycarbonate base, translucent polycarbonate dome • Electronics fully encapsulated • IP67
	K80LGXYPQ	K80LGXYNQ	Green	—	Yellow	
	K80LXRYPQ	K80LXRYNQ	—	Red	Yellow	
	K80LGRYPQ	K80LGRYNQ	Green	Red	Yellow	

* See page 1 for footnotes.

Specifications

Supply Voltage and Current

T8L models: 10 to 30V dc at 20 mA max.
T18, M18, and K30L models: 10 to 30V dc at 25 mA max. per LED color
T30 models: 10 to 30V dc at 40 mA max. per LED color
K50L, K50FL, and K80L models: 18 to 30V dc at 40 mA max. per LED color

Indicators

Entire translucent diffuser or dome provides indication. Green and Yellow, when connected to discrete output of 3-wire or 4-wire sensors. For other colors, contact Factory for availability

Input Response Time

Indicator ON/OFF: 1 ms max.

Construction

See Models lists

Connections

T8L models: 4-pin Euro-style 150 mm (5.9 in) pigtail QD (QP) or 4-wire, 2 m (6.5 ft) integral cable, depending on model
K80L models: 4-pin Euro-style integral QD (Q) standard; terminal-wired models available for use with bulk cable; compression fitting optional. Contact Factory for cable information.
Other models: 4-pin Euro-style integral QD (Q), 5.9 in. pigtail QD (QP), or 4-wire, 2 m (6.5 ft) integral cable, depending on model

Environmental Rating

Rated IEC IP67. T8L not encapsulated; K80L has encapsulated electronics only; other models fully encapsulated. K30L, K50L, and K50FL QD models meet IP69K, per DIN 40050-9. Cabled models also meet IP69K if the cable and cable entrance are protected from high-pressure spray.

Operating Conditions

Temperature: -40 °C to +50 °C (-40 °F to +122 °F)

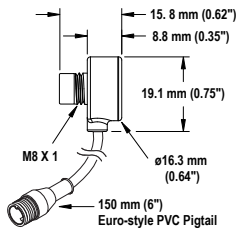
Certifications

K30L and K50L models: 

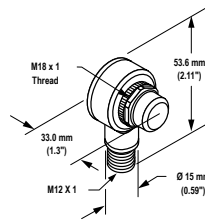
Other models: 

Dimensions

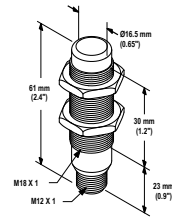
T8L Models



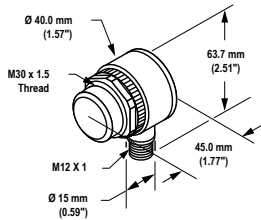
T18 Models



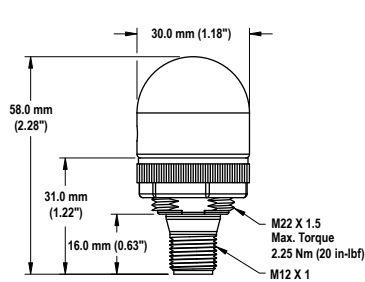
M18 Models



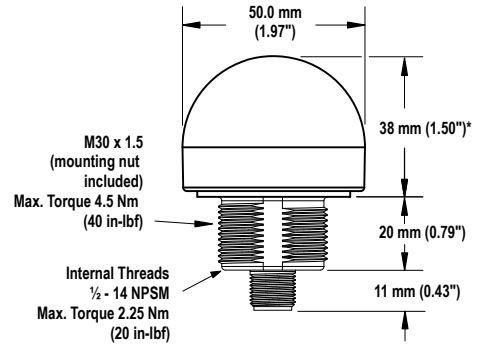
T30 Models



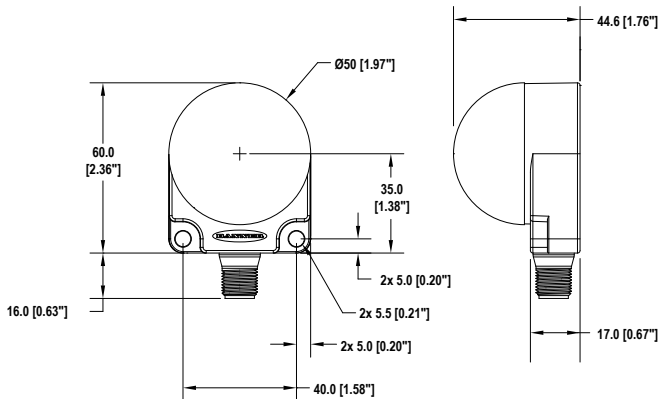
K30L Models



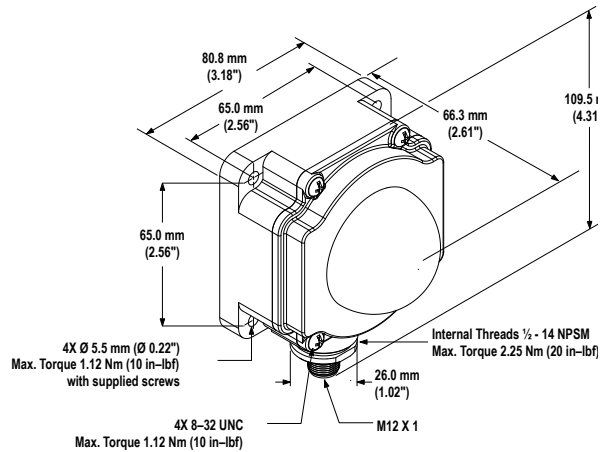
K50L Models



K50FL Models

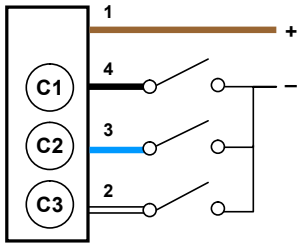


K80L Models

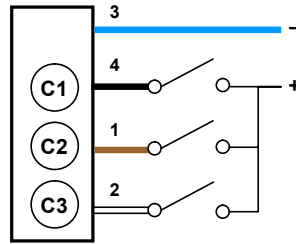


Multi Color Wiring

NPN



PNP



Wiring Key:

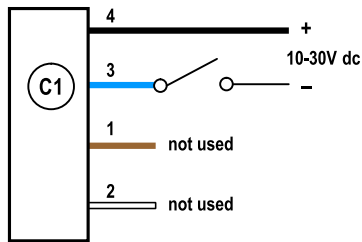
- 1 = Brown
- 2 = White
- 3 = Blue
- 4 = Black

Color Key:

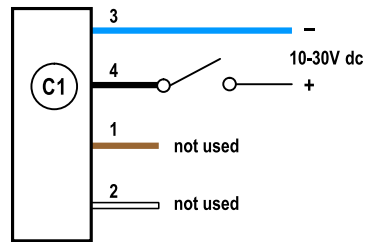
- C1 = Color 1
- C2 = Color 2
- C3 = Color 3

Single Color Wiring

NPN



PNP



Accessories

4-Pin Threaded M12/Euro-Style Cordsets				
Model	Length	Style	Dimensions	Pinout
MQDC-406	1.83 m (6 ft)	Straight		
MQDC-415	4.57 m (15 ft)			
MQDC-430	9.14 m (30 ft)			
MQDC-450	15.2 m (50 ft)			
MQDC-406RA	1.83 m (6 ft)	Right-Angle		
MQDC-415RA	4.57 m (15 ft)			
MQDC-430RA	9.14 m (30 ft)			
MQDC-450RA	15.2 m (50 ft)			

Banner Engineering Corp Limited Warranty

Banner Engineering Corp. warrants its products to be free from defects in material and workmanship for one year following the date of shipment. Banner Engineering Corp. will repair or replace, free of charge, any product of its manufacture which, at the time it is returned to the factory, is found to have been defective during the warranty period. This warranty does not cover damage or liability for misuse, abuse, or the improper application or installation of the Banner product.

THIS LIMITED WARRANTY IS EXCLUSIVE AND IN LIEU OF ALL OTHER WARRANTIES WHETHER EXPRESS OR IMPLIED (INCLUDING, WITHOUT LIMITATION, ANY WARRANTY OF MERCHANTABILITY OR FITNESS FOR A PARTICULAR PURPOSE), AND WHETHER ARISING UNDER COURSE OF PERFORMANCE, COURSE OF DEALING OR TRADE USAGE.

This Warranty is exclusive and limited to repair or, at the discretion of Banner Engineering Corp., replacement. IN NO EVENT SHALL BANNER ENGINEERING CORP. BE LIABLE TO BUYER OR ANY OTHER PERSON OR ENTITY FOR ANY EXTRA COSTS, EXPENSES, LOSSES, LOSS OF PROFITS, OR ANY INCIDENTAL, CONSEQUENTIAL OR SPECIAL DAMAGES RESULTING FROM ANY PRODUCT DEFECT OR FROM THE USE OR INABILITY TO USE THE PRODUCT, WHETHER ARISING IN CONTRACT OR WARRANTY, STATUTE, TORT, STRICT LIABILITY, NEGLIGENCE, OR OTHERWISE.

Banner Engineering Corp. reserves the right to change, modify or improve the design of the product without assuming any obligations or liabilities relating to any product previously manufactured by Banner Engineering Corp.