

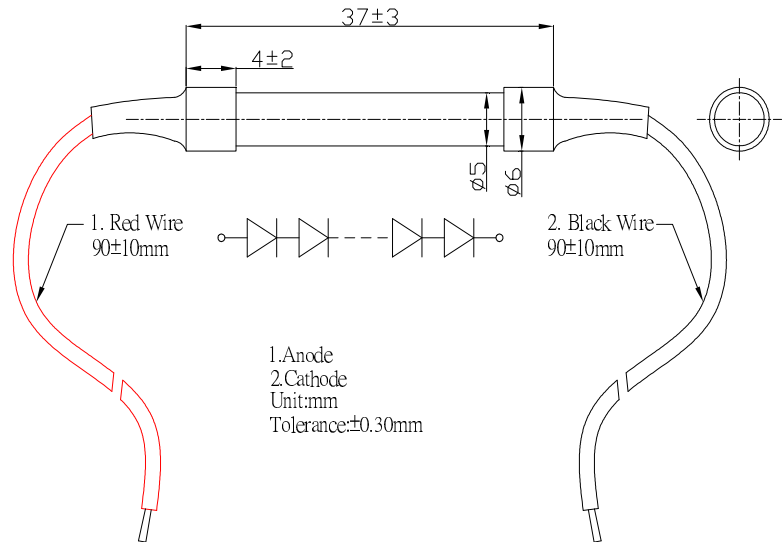
■ Features

- High Luminous LEDs
- D6*L37 Tubular Standard Directivity
- Superior Weather-resistance
- UV Resistant Epoxy
- Water Clear Type

■ Applications

- Electronic Signs And Signals
- Small Area Illuminations
- Back Lighting
- Other Lighting

■ Outline Dimension

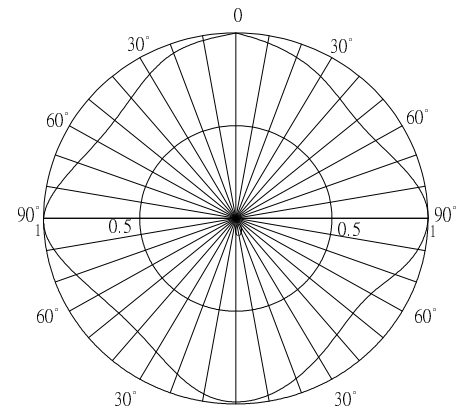


■ Absolute Maximum Rating

(Ta=25°C)

Item	Symbol	Value	Unit
DC Forward Current	I _F	12	mA
Pulse Forward Current*	I _{FP}	20	mA
Power Dissipation	P _D	900	mW
Operating Temperature	Topr	-30 ~ +85	°C
Storage Temperature	Tstg	-40~ +100	°C
Lead Soldering Temperature	Tsol	260°C/5sec	-

■ Directivity



*Pulse width Max.10ms Duty ratio max 1/10

■ Electrical -Optical Characteristics

(Ta=25°C)

Item	Symbol	Condition	Min.	Typ.	Max.	Unit
DC Forward Voltage	V _F	I _F =10mA	65	68	75	V
DC Reverse Current	I _R	V _R =5V	-	-	10	μA
Luminous Flux	Φ _v	I _F =10mA	90	100	-	lm
Color Temperature	CCT	I _F =10mA	5000	5500	6000	K
Chromaticity Coordinates*	x	I _F =10mA	-	0.33	-	-
	y	I _F =10mA	-	0.36	-	-
50% Power Angle	2θ _{1/2}	I _F =10mA	-	360	-	deg

*1 Luminous Flux Measurement allowance is ±15%

*2 Chromaticity Coordinates Measurement allowance is ±10