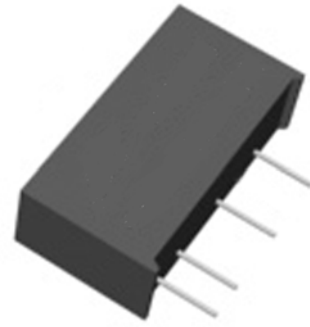


Features:

- BXXXXLS-1W
- HIGH POWER DENSITY
- SIP7 PACKAGE
- SINGLE OUTPUT
- INDUSTRIAL STANDARD PIN-OUT
- NO HEAT SINK REQUIRED
- 1KVDC ISOLATION
- FIXED INPUT
- UNREGULATED OUTPUT
- PCB MOUNTING

**ELECTRICAL SPECIFICATIONS**

All specifications tested typically @ 25°C, humidity<75%, nominal input and rated output unless otherwise noted.

Input Voltage:5V/12, 15, 24 VDC

Output Voltage: 3.3, 5, 9, 12, 15 ,24 VDC

OUTPUT SPECIFICATIONS

Items:	Testing condition	Min	Typ	Max
Output accuracy:	At full load and nominal Vin			±5%
Continued short circuit time				<1S
Line voltage calibration	For Vin change of 1%			+/- 1.2 %
Load regulation:	From 20% to full load			+/-8%
Ripple and noise:	20MHz bandwidth		100 mV p-p	
Temperature drift:				±0.02 %/°C
Switching frequency			100KHz	

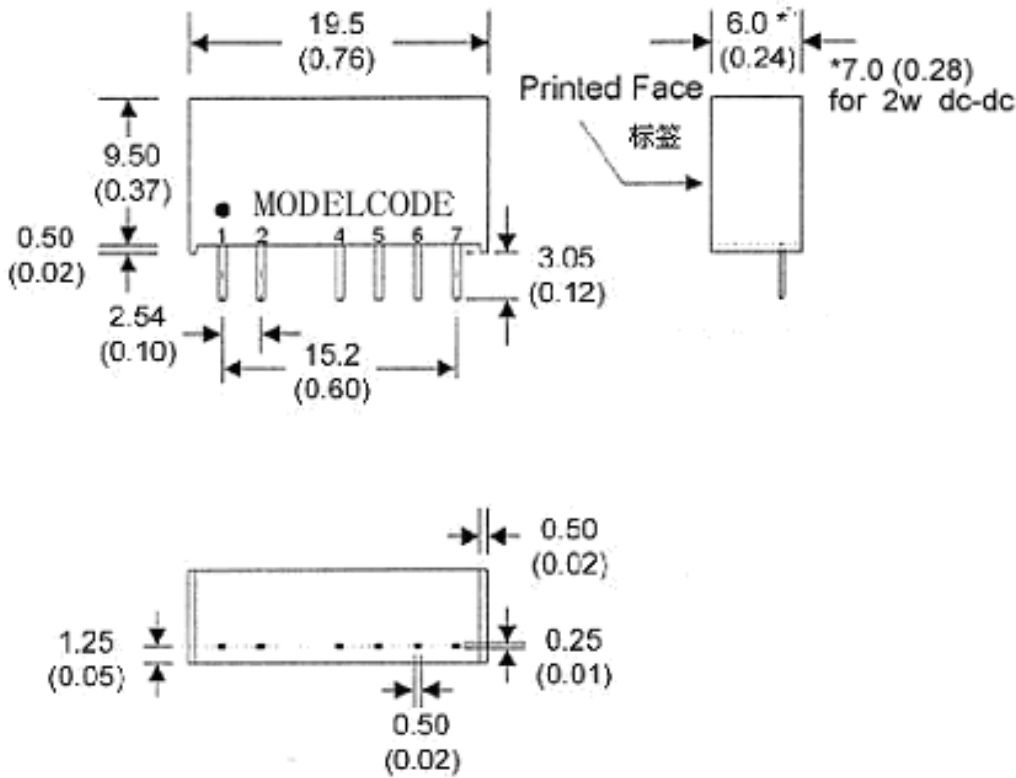
COMMON SPECIFICATIONS

Items	Testing condition	Min	Typ.	Max
Operating temperature range		-40°C		+85°C
Storage temperature range		-55°C		+125°C
Humidity				<75%
Cooling	Free Air Convection			
Isolation voltage (VDC)	Input to Output		1,000	
Isolation resistance (ohms)			10 ⁹	
Isolation capacitance (pF)				30
Efficiency (%)	See Product List	70	85	
Case material	Non-conductive black plastic			
Potting material	Epoxy Resin UL94-V0			
Packing material	Tube			
Dimension (mm / inch) (L*W*H)	SIP: 19.6*6.00*10 (0.77*0.24*0.40)			
Weight (g)	2~3g			
MTBF (Hrs)	>1,000,000			

DC-DC CONVERTER

Part No.	Input Vin(VDC)	Iin No-load (mA)	Iin Full-load (mA)	Output Vout(VDC)	Iout (max.mA)	Eff. (%TYPE)
B0505LS-1W	5	27	261	5	200	76
B0512LS-1W	5	26	254	12	84	78
B0524LS-1W	5	26	258	24	42	78
B1212LS-1W	12	12	104	12	84	78
B1215LS-1W	12	11	107	15	68	80
B2405LS-1W	24	9	57	5	200	73
B2412LS-1W	24	8	54	12	84	77
B2415LS-1W	24	7	55	15	76	76

If need other input and output, please specified.



FOOTPRINT DEFINITION:

SIP	Connection	
	1	+Vin
2	GND	Input
3		No PIN
4	0V	Output
5		No PIN
6	+VO	Output
7		No PIN

