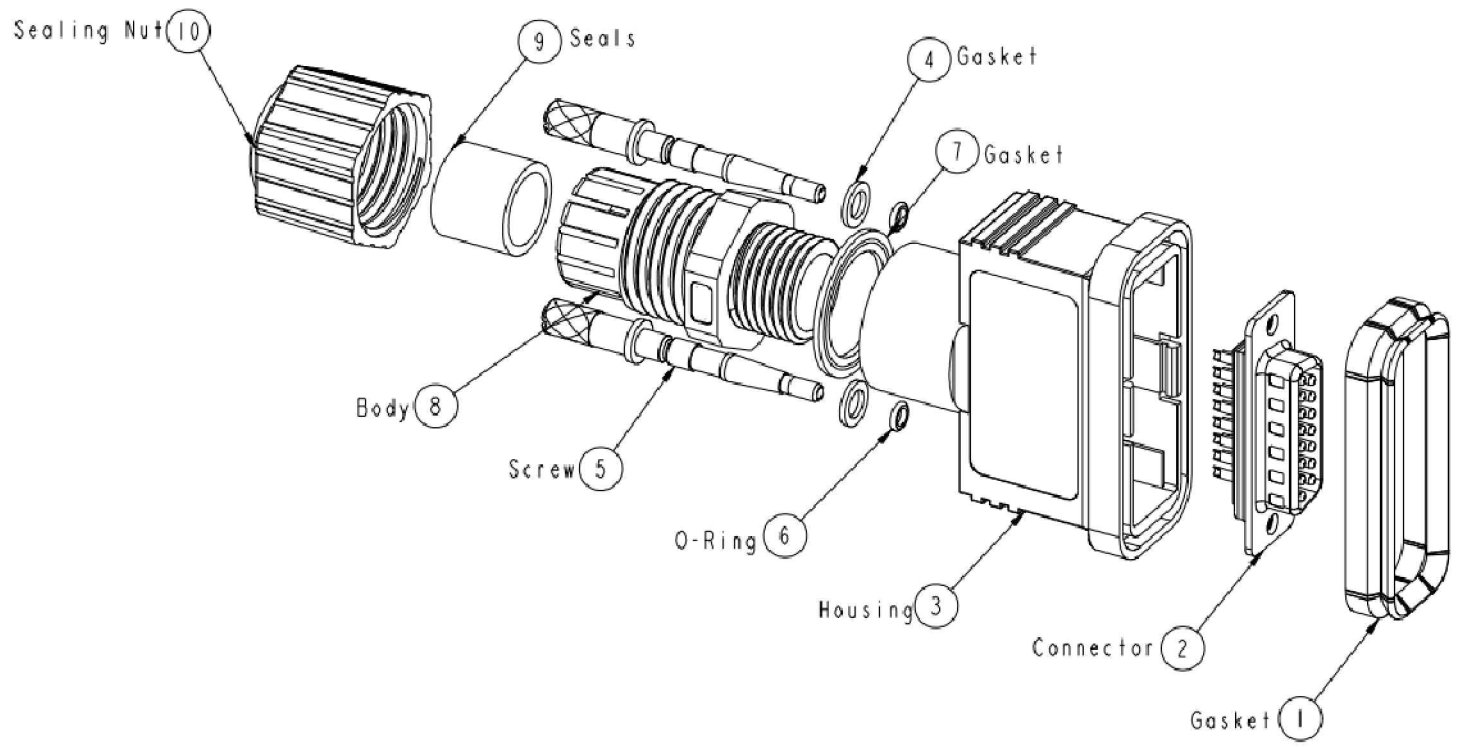
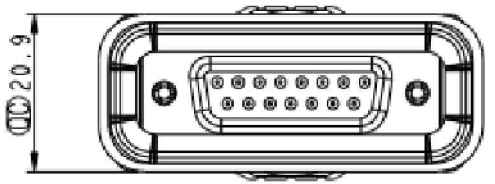
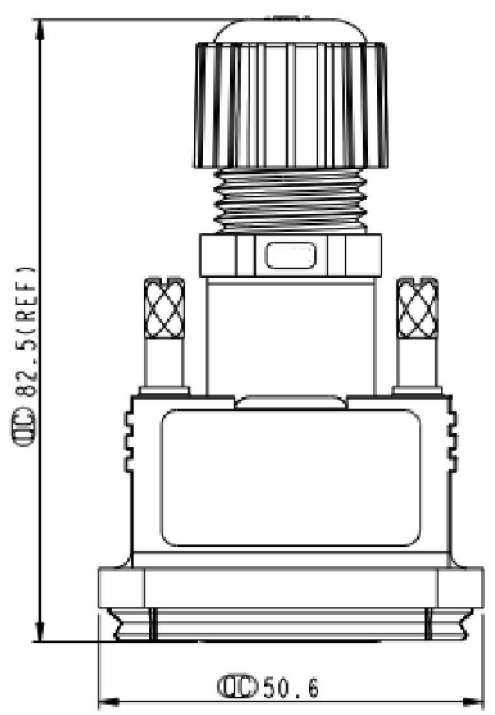


1 2 3 4 5 6 7

A
B
C
D
E
F
G
H

A
B
C
D
E
F
G
H



Notes:
 * \varnothing Important Dimension To Check.
 * Waterproof Rate: IP67
 * Connector: D-SUB 09Pin Male
 * Seals for Cable OD: \varnothing 6.0mm- \varnothing 10.0mm
 * One Set Unassembled in One PE Bag

RoHS compliant
UNIT:mm

Scale	Free						Date	Name	Customer-No.
TOLERANCE						Drawn	22.04.2014	Joanna	ASSMANN WSW-No. A-DS15-HOOD-WP
	±0.5					Approved	22.04.2014	Joanna	
DIM	TOL								Drawing-No.
X.°	±X°								ASS 6259 CO
X.X°	±X°	©	Drawn	22.04.2014	Joanna	ASSMANN WSW components			rev00
Angle	TOL	Id.	Modification	Date	Name			Replace	Sheet

1 2 3 4 5 6 7