

620-049  
Strain Relief  
Self-Locking Rotatable Coupling - 45°



**CONNECTOR  
DESIGNATOR**

MIL-DTL-38999 Series I, II (F)  
MIL-DTL-38999 Series III and IV (H)

**F-H**

**SELF-LOCKING**

**ROTATABLE  
COUPLING**

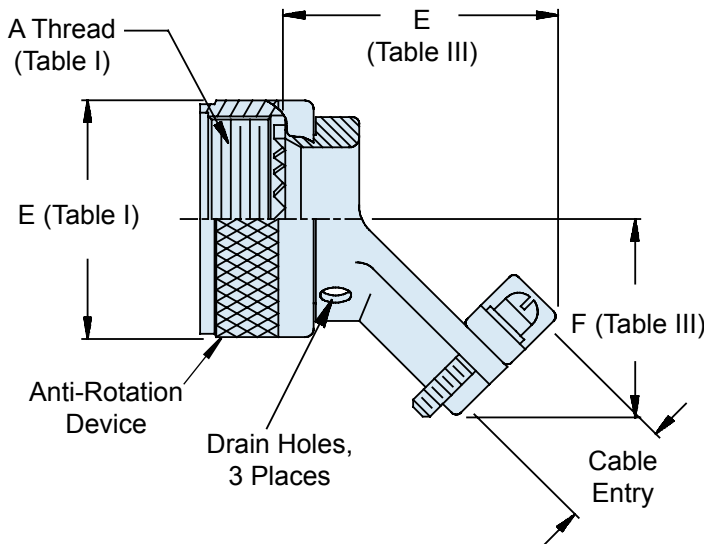
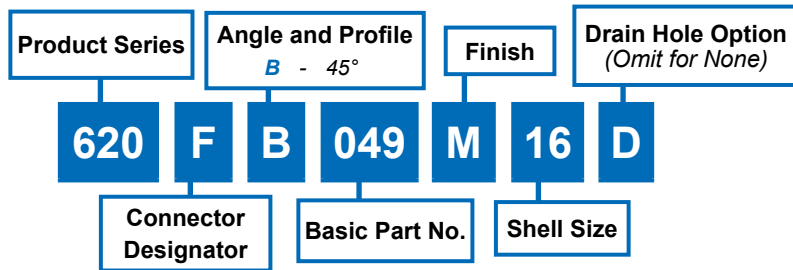


TABLE II: FINISHES	
Symbol	Finish
B	Cadmium Plate, Olive Drab
C	Anodize, Black
GB	Black Anodize, Hard Coat
M	Electroless Nickel
N	Cad Plate, Olive Drab over Electroless Nickel
NF	Cadmium Plate, Olive Drab over Electroless Nickel
MT	Ni-PTFE 1000 Hour Grey™ Nickel Fluorocarbon Polymer
Z1	Stainless Steel Passivate
ZN	Zinc-Nickel

TABLE III: CABLE ENTRY				
Shell Size	E Max	F Max	Cable Range	
			Closed	Open
08/09	1.536 (39.0)	.730 (18.5)	.125 (3.2)	.204 (5.2)
10/11	1.566 (39.8)	.810 (20.6)	.187 (4.7)	.286 (7.3)
12/13	1.646 (41.8)	.870 (22.1)	.291 (7.4)	.416 (10.6)
14/15	1.686 (42.8)	.930 (23.6)	.351 (8.9)	.476 (12.1)
16/17	1.796 (45.6)	.990 (25.1)	.501 (12.7)	.626 (15.9)
18/19	1.906 (48.4)	1.110(28.2)	.518 (13.2)	.706 (17.9)
20/21	1.956 (49.7)	1.170 (29.7)	.581 (14.8)	.831 (21.1)
22/23	1.996 (50.7)	1.240 (31.5)	.644 (16.4)	.956 (24.3)
24/25	2.046 (52.0)	1.300 (33.0)	.706 (17.9)	1.081 (27.5)

**APPLICATION NOTES**

1. Cable range is defined as the accommodation range for the wire bundle or cable. Dimensions shown are not intended for inspection criteria.
2. Metric dimensions (mm) are indicated in parentheses.

