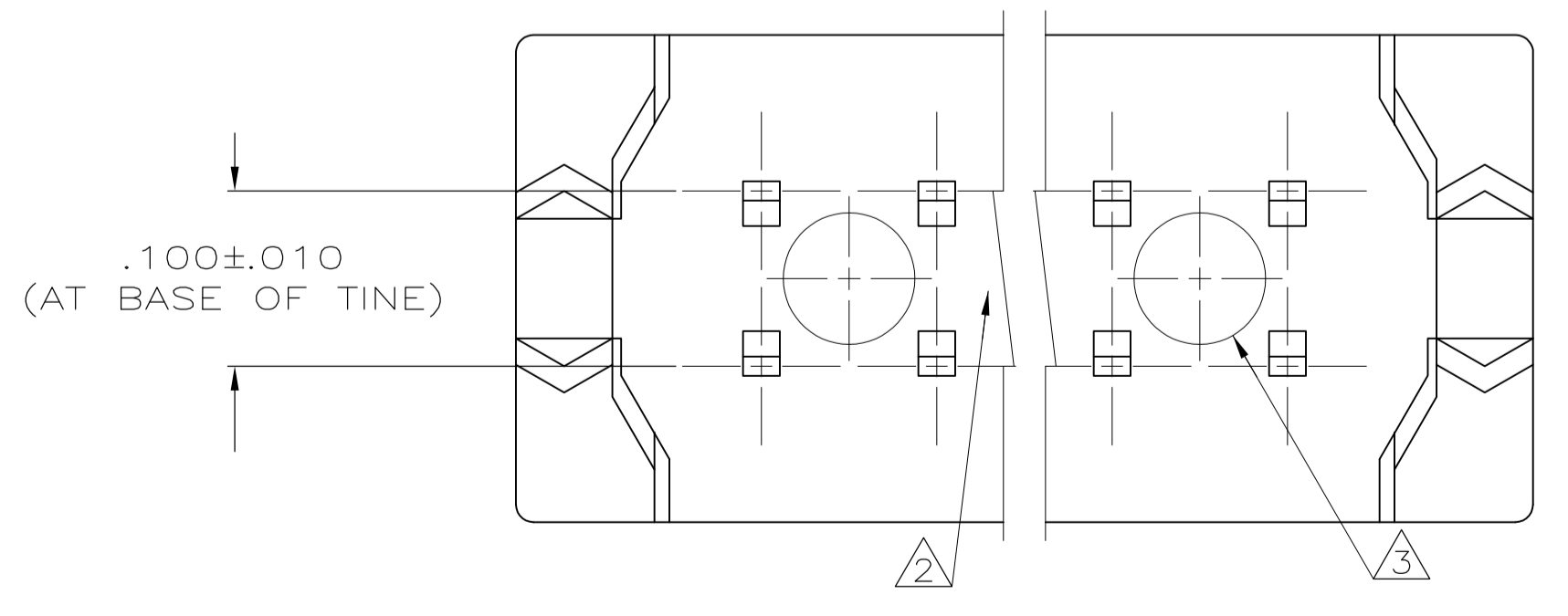
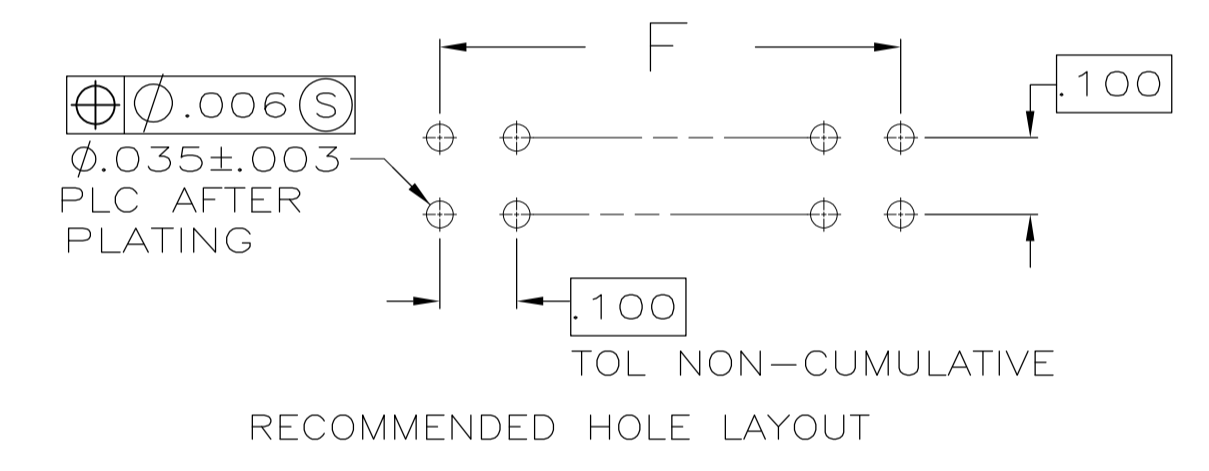


- ① CONTACTS DESIGNED FOR 28 AWG STRANDED OR 26,28, & 30 AWG SOLID WIRE.
- ② AMP TRADEMARK LOCATED IN APPROX AREA SHOWN.
- ③ STANDOFFS: POS 10 (2) STANDOFFS AS SHOWN.
14-16 (3) STANDOFFS, (1) CENTERED BETWEEN (2) SHOWN
20-26 (4) (2)
30 (5) (3)
34 (6) (4)
40-44 (7) (5)
50 (8) (6)
60 (9) (7)
64 (10) (8)
- ④ .000100-.000200 BRIGHT TIN LEAD, ALL OVER .000050 NICKEL.
- ⑤ HEIGHT AFTER TERMINATION IS .253 ±.010.
- ⑥ FOR USE IN .062 - .093" THICK PCB.
- ⑦ .000005 MIN GOLD ON RIBBON CABLE TERMINATION AREA, .000100-.000200 MATTE TIN ON SOLDER TAILS, ALL OVER .000050 MIN NICKEL.
- ⑧ MOLDED PARTS, 94V-0 RATED THERMOPLASTIC, COLOR: BLACK
CONTACTS: PHOS BRONZE.



⑦	24	2.680	48	49	50	2-111382-0	
⑦	16	1.880	32	33	34	1-111382-9	
⑦	12	1.480	24	25	26	1-111382-8	
⑦	9	1.180	18	19	20	1-111382-7	
⑦	7	0.980	14	15	16	1-111382-6	
⑦	4	.680	8	9	10	1-111382-4	
OBSOLETE	④	21	2.380	42	43	44	1-111382-3
OBSOLETE	④	31	3.380	62	63	64	1-111382-2
OBSOLETE	④	29	3.180	58	59	60	1-111382-1
OBSOLETE	④	24	2.680	48	49	50	1-111382-0
OBSOLETE	④	19	2.180	38	39	40	111382-9
OBSOLETE	④	16	1.880	32	33	34	111382-8
OBSOLETE	④	14	1.680	28	29	30	111382-7
OBSOLETE	④	12	1.480	24	25	26	111382-6
OBSOLETE	④	11	1.380	22	23	24	111382-5
OBSOLETE	④	9	1.180	18	19	20	111382-4
OBSOLETE	④	7	.980	14	15	16	111382-3
OBSOLETE	④	6	.880	12	13	14	111382-2
OBSOLETE	④	4	.680	8	9	10	111382-1

THIS DRAWING IS A CONTROLLED DOCUMENT.

DIMENSIONS: INCHES	TOLERANCES UNLESS OTHERWISE SPECIFIED:	0 PLC ± -	1 PLC ± -	2 PLC ± -	3 PLC ± .005	4 PLC ± -	ANGLES ± -
--------------------	--	-----------	-----------	-----------	--------------	-----------	------------

MATERIAL: ⑧ FINISH: CONTACTS: SEE TABLE

DIN L VARELA - DOCKS 11-29-04	APVD C. ROHDE 11-29-04	NAME M. WALMSLEY 11-29-04
SIZE A1	CAGE CODE 00779	DRAWING NO. 111382
WEIGHT	RESTRICTED TO	

CUSTOMER DRAWING SCALE 10:1 SHEET 1 OF 1 REV K1

STE TE Connectivity
KIT, DIP PLUG, PREASSEMBLED, .100 X .100 CENTERLINE, AMP-LATCH