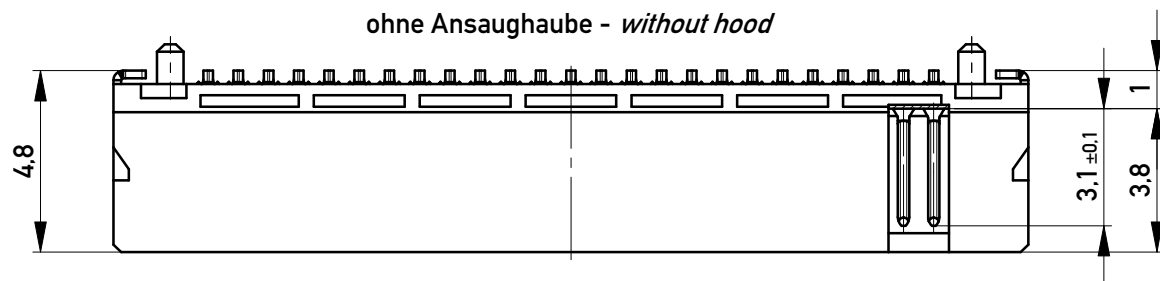
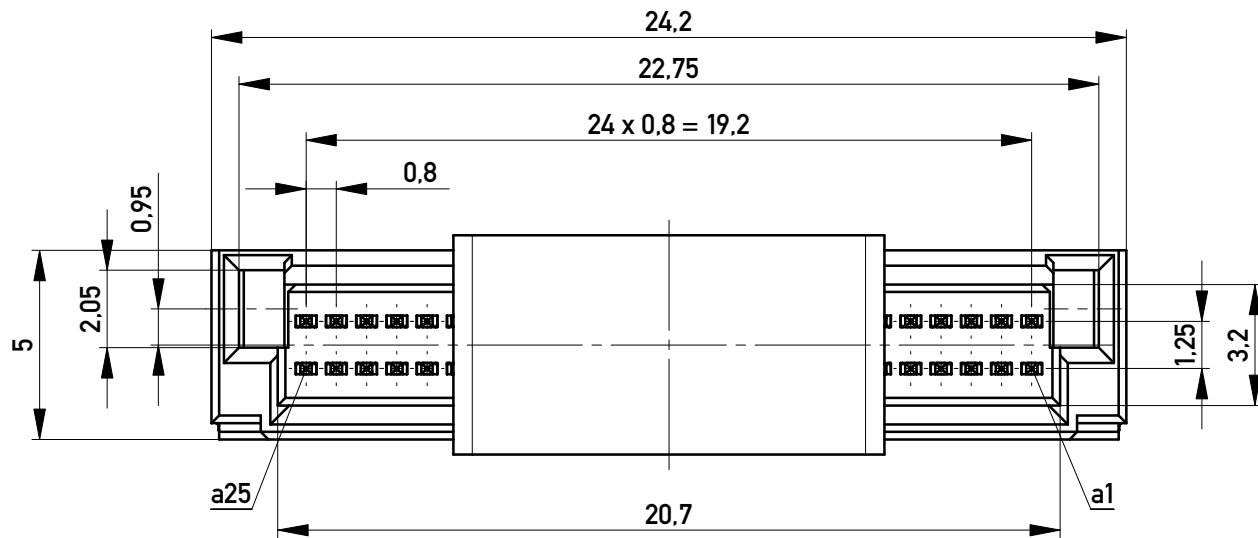
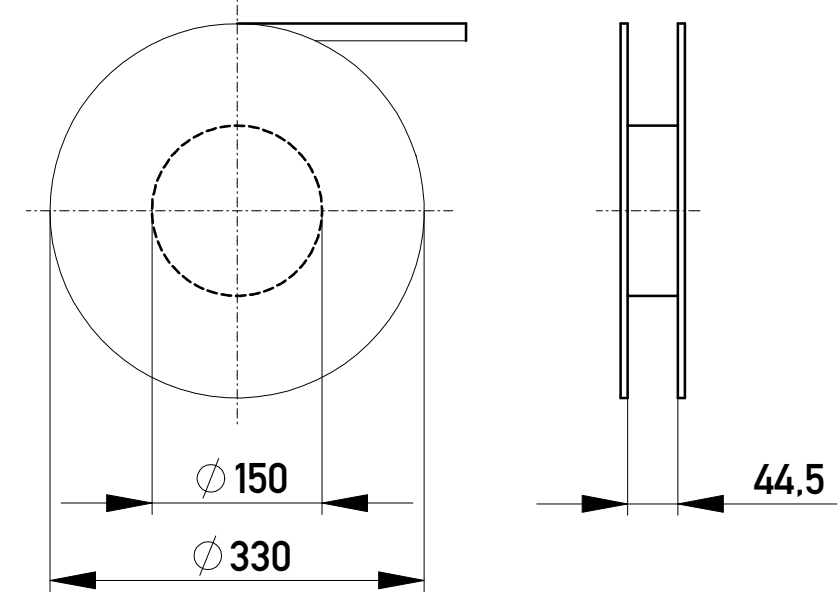


Verpackt in Gurtverpackung - *Tape on Reel Packaging*
 Verpackungseinheit: 720 Stück - *Packaging unit: 720 pcs*



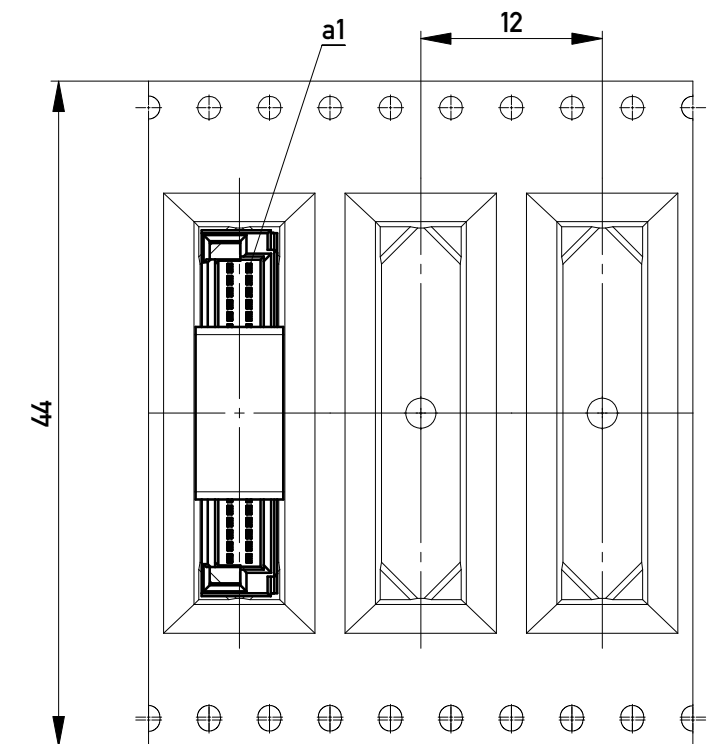
Anforderungsstufe 2
Performance Level 2

Kontaktbereich vergoldet
Mating Area gold plating

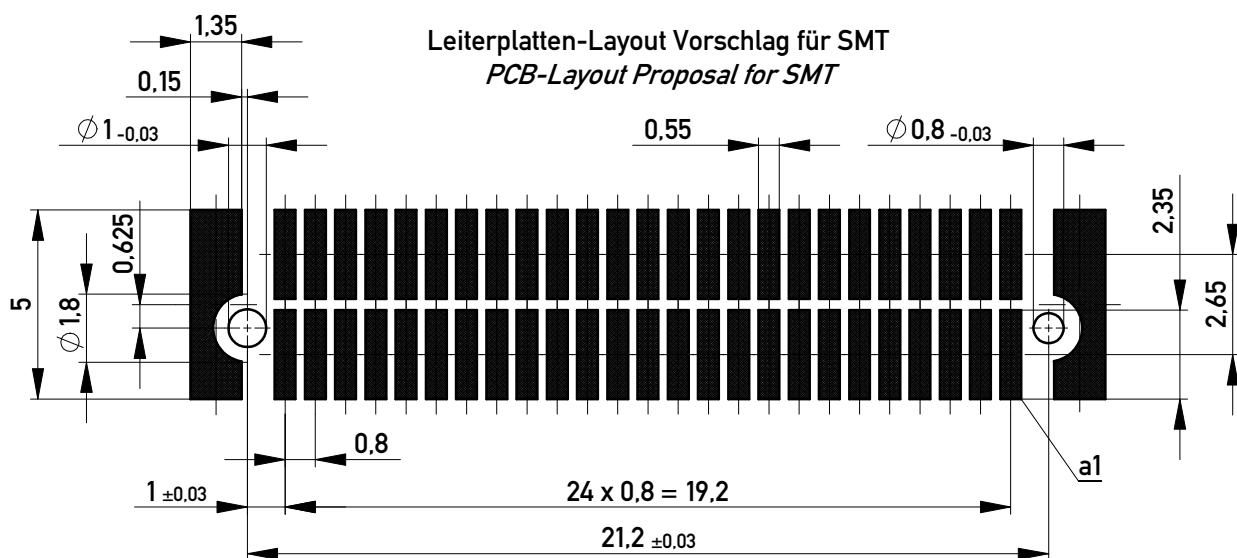
Anschlussbereich verzinkt 4-6 µm
Terminal Area 4-6 µm tin plating

Koplanarität der Anschlüsse ≤ 0,1 mm
Coplanarity Area of Termination ≤ 0,1 mm

Abspulrichtung - *Reel off Direction*



Leiterplatten-Layout Vorschlag für SMT
PCB-Layout Proposal for SMT



Copyright by ERNI GmbH
 Proprietary notice pursuant to ISO 16016 to be observed.

Information:		Tolerances	All Dimensions in mm	Scale	5:1
All rights reserved. Only for Information. To ensure that this is the latest version of this drawing, please contact one of the ERNI companies before using.		Subject to modification without prior notice. Drawing will not be updated.		Designation	0,8 DRC-Q, M 1mm, 50 polig 0,8 DRC-Q, M 1mm, 50 pin
www.ERNI.com		100100100004		K	A3
b	24.09.2012	Class		DRCQ	
Index	Date				